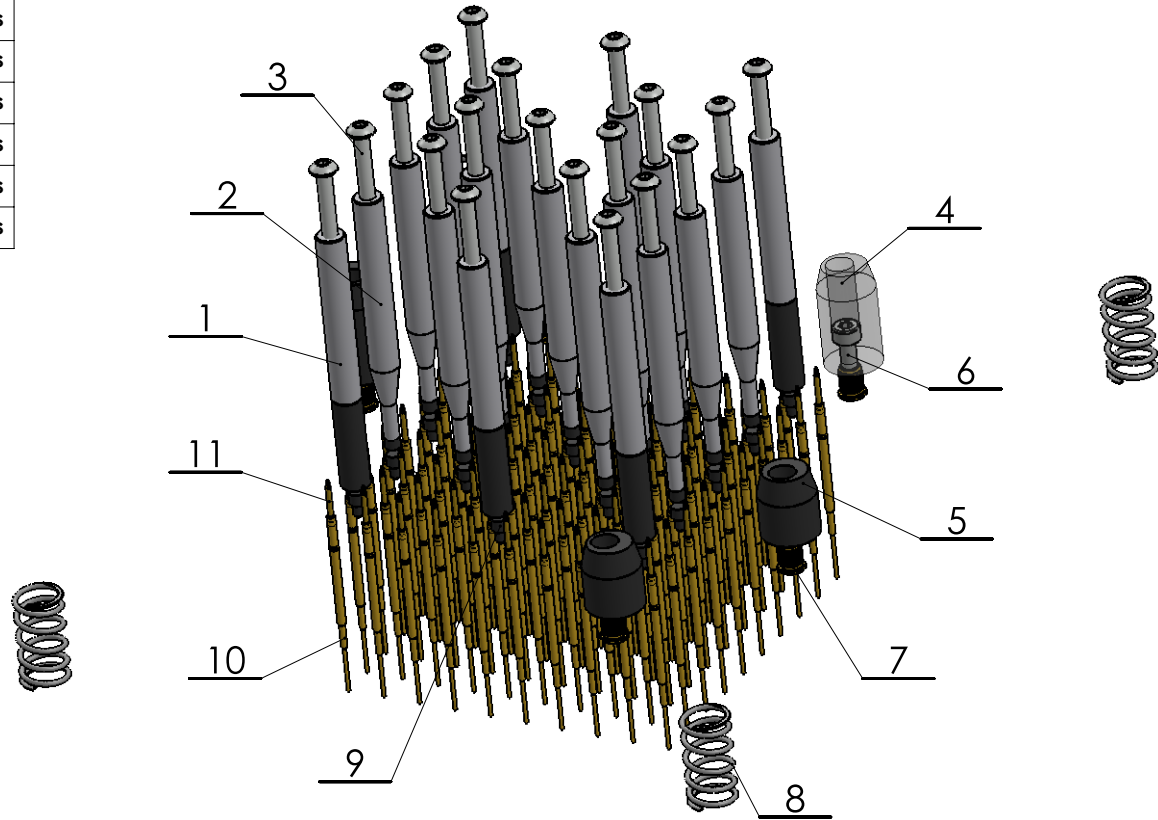
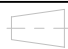
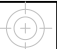



Item No.	QTY	Item Description	Item Code	Supplier
1	6	Push Rod L=57,3mm-M3 D=6mm	FIXT-PR-526	MTTest Solutions
2	13	Push Rod L=57.3mm-M3 D=3mm	FIXT-PR-501	MTTest Solutions
3	19	Screw	ME1344	MTTest Solutions
4	3	Excentric Positioner Top Screw	FIXT-EXC-023	MTTest Solutions
5	2	Excentric Positioner_Top Screw	FIXT-EXC-022	MTTest Solutions
6	5	Screw	ME1458	MTTest Solutions
7	5	Threaded insert M3	MRB-001	MTTest Solutions
8	4	Compression Spring	ME1759	MTTest Solutions
9	19	Antistatic Tap h2,5	ME1596	MTTest Solutions
10	100	Receptacle	RCP066 WR13	MTTest Solutions
11	100	Test probe	ST1000 LA53 M	MTTest Solutions



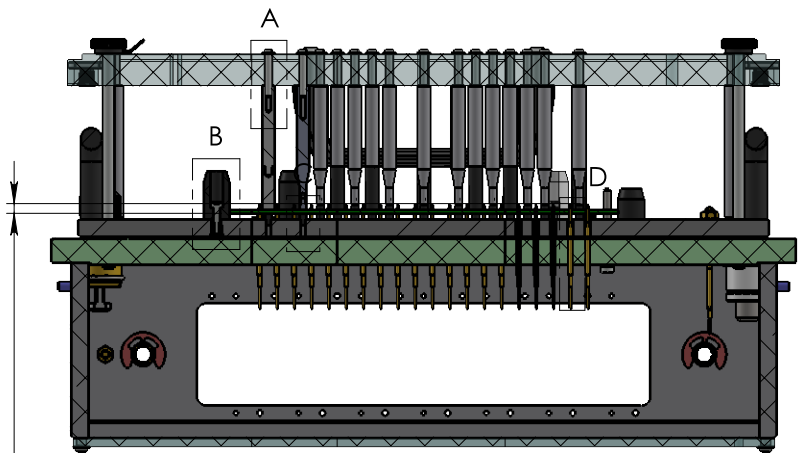
REV

The design of the product and its components may be changed as they are project-dependent.

© COPYRIGHT 2019 MTTEST SOLUTIONS ALL RIGHTS RESERVED	Designed	Name A.K.	Date 14.10.2025.	Catalog Item; ND-EXCH-Dx Startup Small Set	
	Drawn			Drawing No.:	
This drawing, model, intellectual product belongs to MTTest Solutions. Forwarding it to 3rd. party, copying it or using for any other purpose without the written approval of MTTest Solutions, could entail to legal and criminal procedure!	Checked			CUST-SET-Dx-S	
	Note			 	A4 SHEET 1 OF 3
					

ND-EXCH-Dx Exch Kit STARTUP

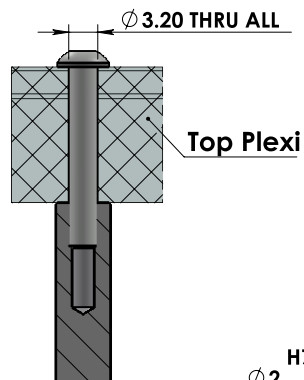
Guidence for Customization



Working Stroke = 4.50mm

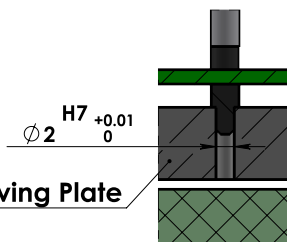
DETAIL A SCALE 1.2 : 1

Hole measure
for Pushrod screws



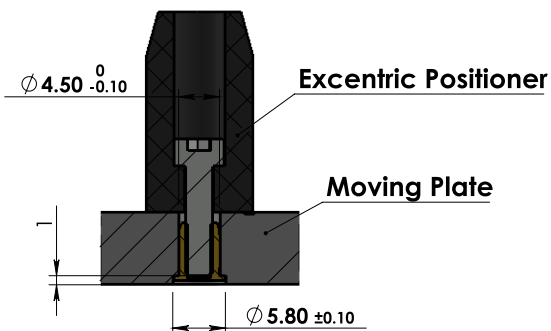
DETAIL C SCALE 1.2 : 1

Hole measure
for PCB supports

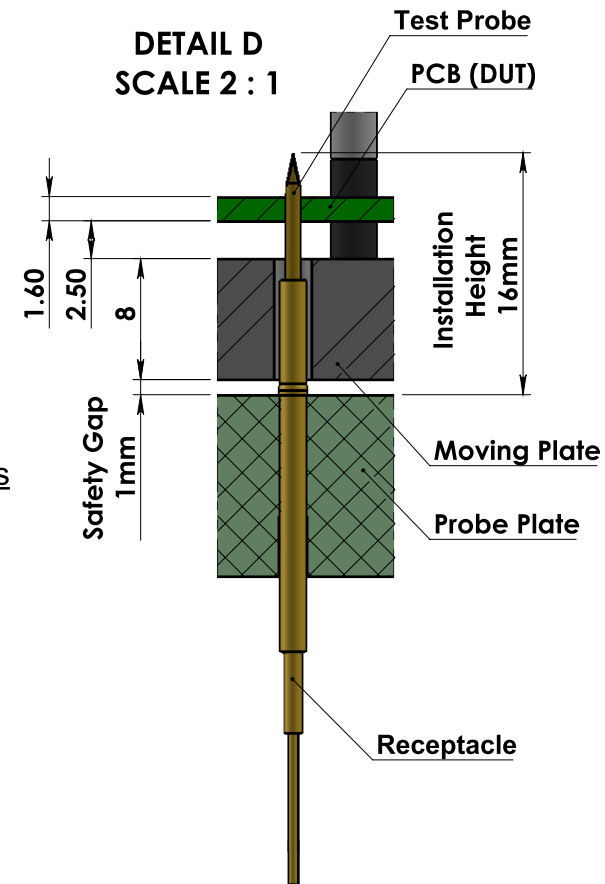


DETAIL B SCALE 1.2 : 1

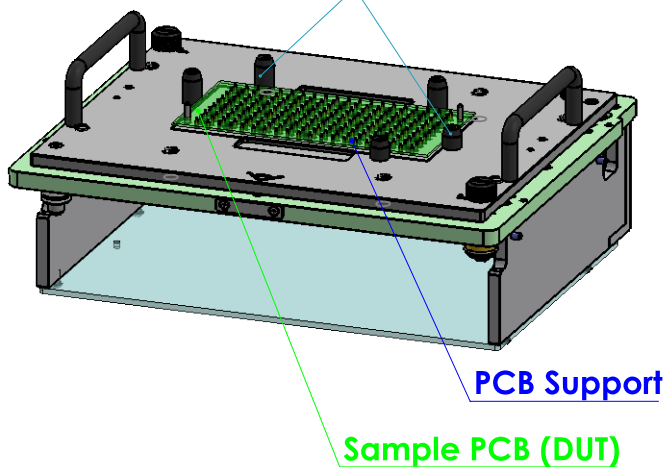
Hole measures for
Threaded inserts



DETAIL D SCALE 2 : 1



Excentric Positioners



PCB Support

Sample PCB (DUT)

Pushrods

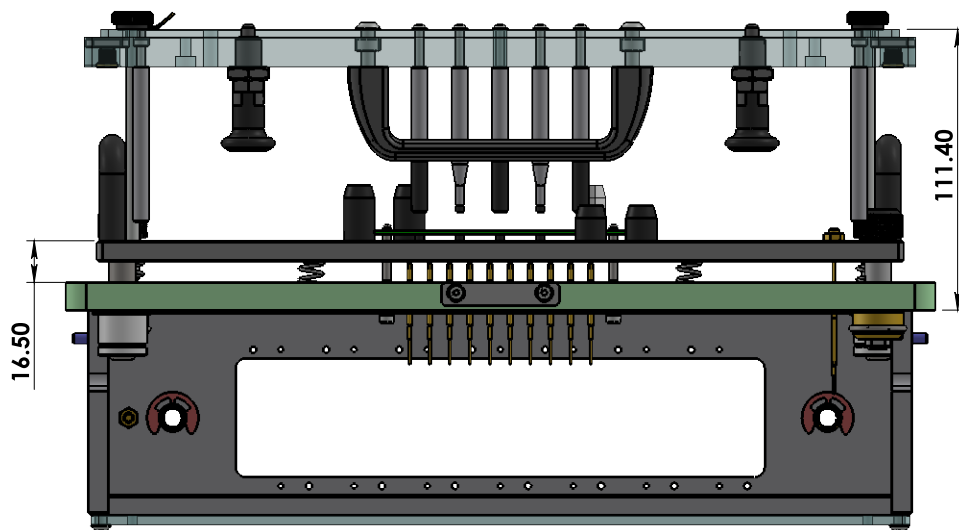
REV

© COPYRIGHT 2019 MTEST SOLUTIONS ALL RIGHTS RESERVED This drawing, model, intellectual product belongs to MTest Solutions. Forwarding it to 3rd. party, copying it or using for any other purpose without the written approval of MTest Solutions, could entail to legal and criminal procedure!	Designed	Name	Date	Catalog Item: ND-EXCH-Dx Startup Small Set	
	Drawn	A.K.	15.10.2025.	Drawing No.:	
	Checked			CUST-SET-Dx-S	
	Note				
					A4 SHEET 2 OF 3

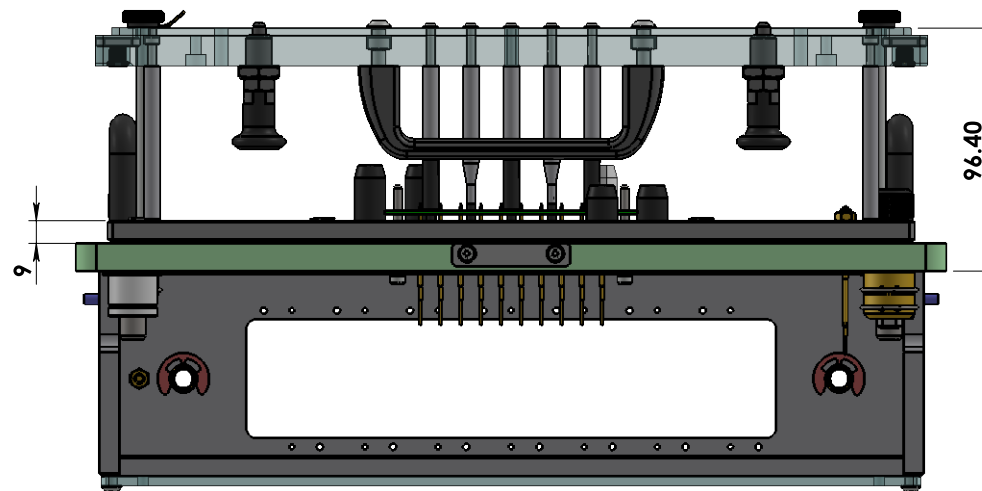
ND-EXCH-Dx Exch Kit STARTUP

Guidence for Customization

Open position

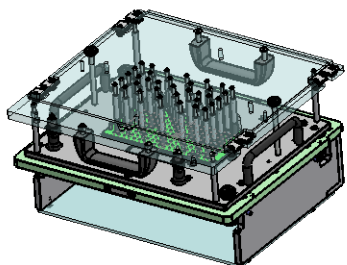


Test position

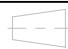
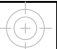


Parallel movement: 15mm

Max. Component Height (with 1.60mm thick PCB): 30mm



REV

© COPYRIGHT 2019 MTEST SOLUTIONS ALL RIGHTS RESERVED This drawing, model, intellectual product belongs to MTest Solutions. Forwarding it to 3rd. party, copying it or using for any other purpose without the written approval of MTest Solutions, could entail to legal and criminal procedure!	Designed	Name	Date	Catalog Item:	
	Drawn	A.K.	15.10.2025.	ND-EXCH-Dx Startup Small Set	
	Checked			Drawing No.:	
	Note			CUST-SET-Dx-S	
				  A4	SHEET 3 OF 3
				