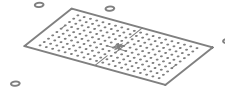
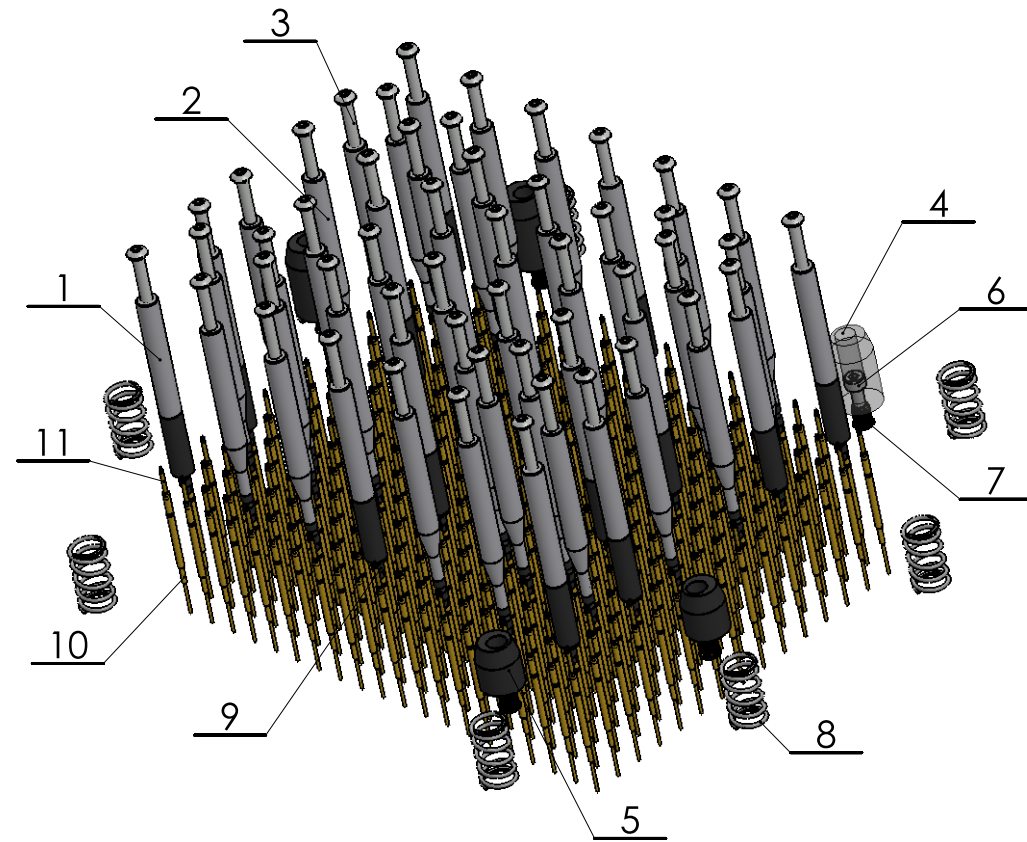


Item No.	QTY	Item Description	Item Code	Supplier
1	17	Push Rod L=57,3mm-M3 D=6mm	FIXT-PR-526	MTTest Solutions
2	33	Push Rod L=57.3mm-M3 D=3mm	FIXT-PR-501	MTTest Solutions
3	50	Screw	ME1344	MTTest Solutions
4	3	Excentric Positioner Top Screw	FIXT-EXC-023	MTTest Solutions
5	2	Excentric Positioner_Top Screw	FIXT-EXC-022	MTTest Solutions
6	5	Screw	ME1458	MTTest Solutions
7	5	Threaded insert M3	MRB-001	MTTest Solutions
8	8	Compression Spring	ME1759	MTTest Solutions
9	50	Antistatic Tap h2,5	ME1596	MTTest Solutions
10	300	Receptacle	RCP066 WR13	MTTest Solutions
11	300	Test probe	ST1000 LA53 M	MTTest Solutions



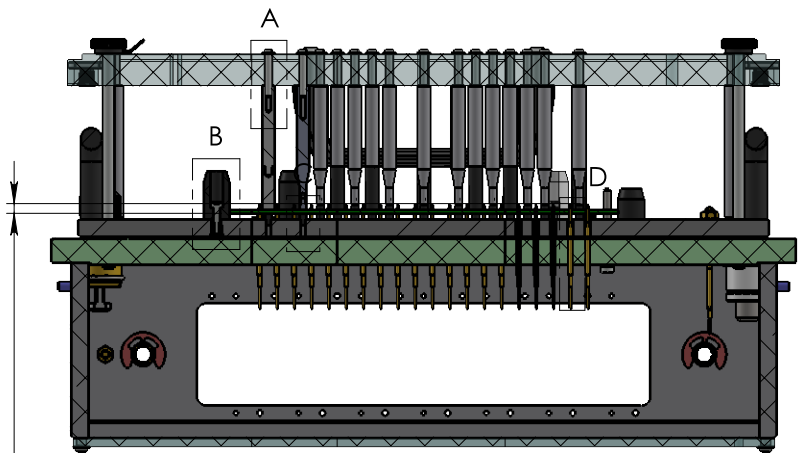
REV

The design of the product and its components may be changed as they are project-dependent.

© COPYRIGHT 2019 MTEST SOLUTIONS ALL RIGHTS RESERVED	Designed	Name	Date	Catalog Item: ND-EXCH-Dx Startup Large Set	
	Drawn	A.K.	15.10.2025.	Drawing No.:	
This drawing, model, intellectual product belongs to MTTest Solutions. Forwarding it to 3rd. party, copying it or using for any other purpose without the written approval of MTTest Solutions, could entail to legal and criminal procedure!	Checked			CUST-SET-Dx-L	
	Note				SHEET 1 OF 3

# ND-EXCH-Dx Exch Kit STARTUP

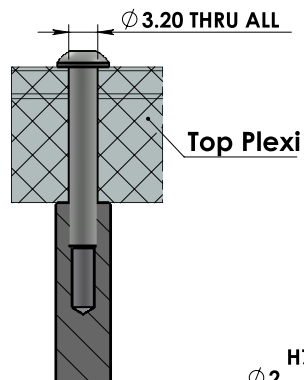
Guidence for Customization



Working Stroke = 4.50mm

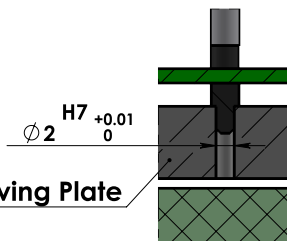
## DETAIL A SCALE 1.2 : 1

Hole measure  
for Pushrod screws



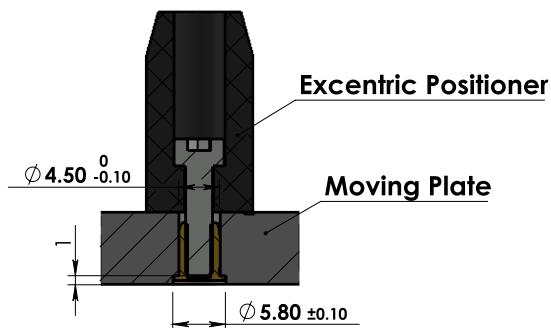
## DETAIL C SCALE 1.2 : 1

Hole measure  
for PCB supports

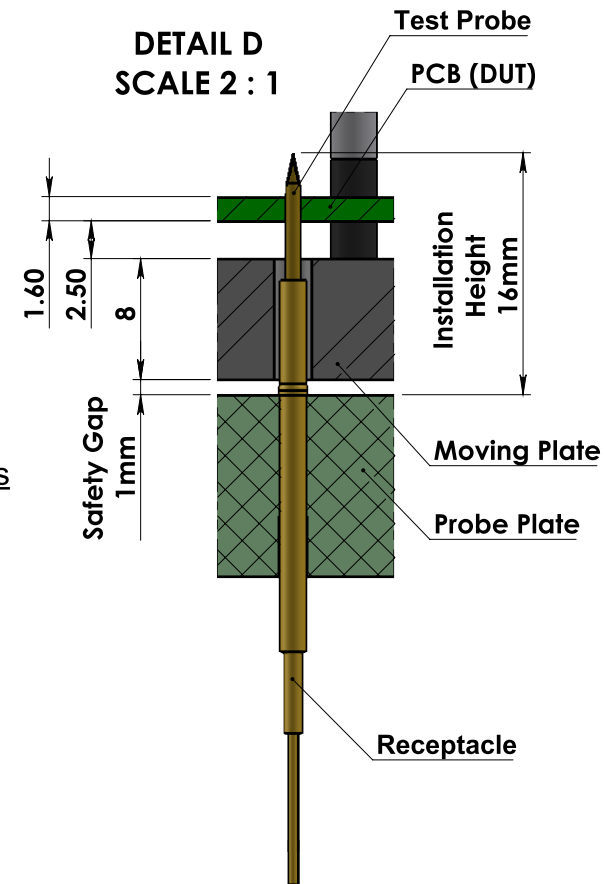


## DETAIL B SCALE 1.2 : 1

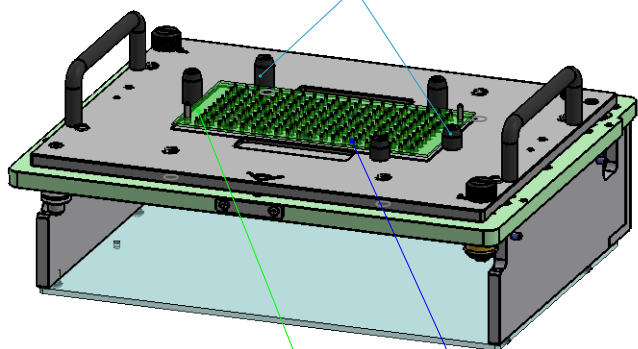
Hole measures for  
Threaded inserts



## DETAIL D SCALE 2 : 1



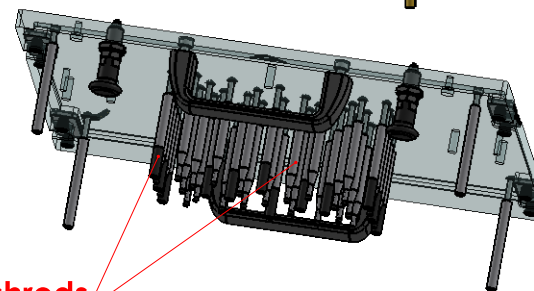
Excentric Positioners



PCB Support

Sample PCB (DUT)

Pushrods



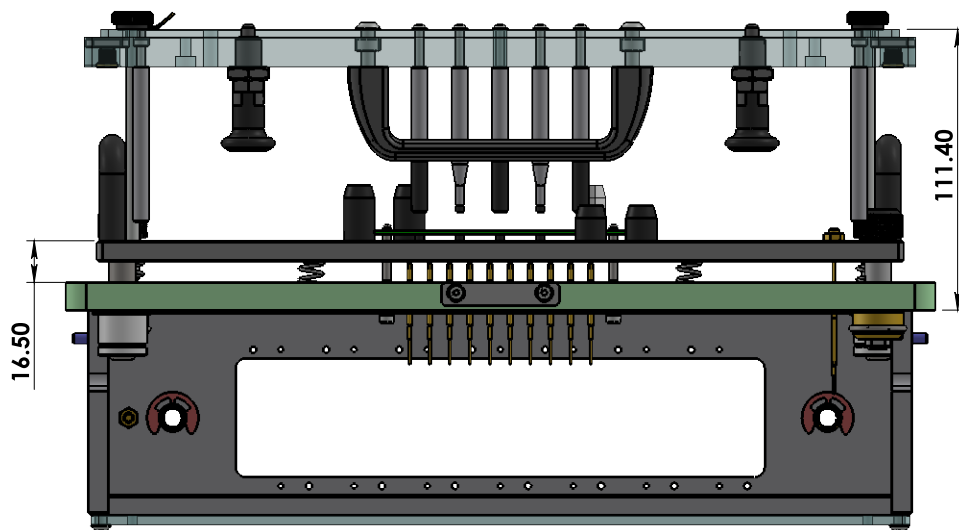
REV

© COPYRIGHT 2019 MITEST SOLUTIONS ALL RIGHTS RESERVED  This drawing, model, intellectual product belongs to MTest Solutions. Forwarding it to 3rd. party, copying it or using for any other purpose without the written approval of MTest Solutions, could entail to legal and criminal procedure!	Designed	Name A.K.	Date 15.10.2025.	Catalog Item: ND-EXCH-Dx Startup Large Set	
	Drawn			Drawing No.:	
	Checked			CUST-SET-Dx-L	
	Note				
				A4	SHEET 2 OF 3

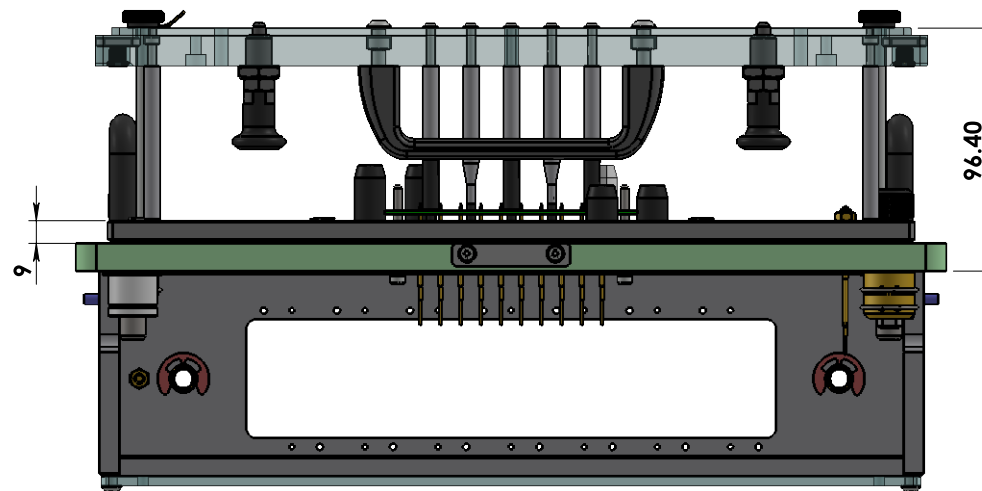
# ND-EXCH-Dx Exch Kit STARTUP

Guidence for Customization

## Open position

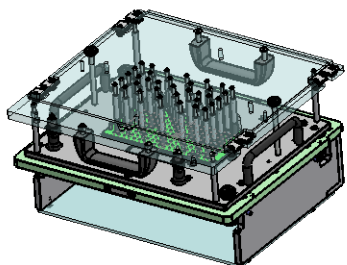


## Test position

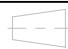
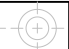


Parallel movement: 15mm

Max. Component Height (with 1.60mm thick PCB): 30mm



REV

© COPYRIGHT 2019 MTTEST SOLUTIONS ALL RIGHTS RESERVED	Designed	Name A.K.	Date 15.10.2025.	Catalog Item: ND-EXCH-Dx Startup Large Set	
	Drawn			Drawing No.:	
This drawing, model, intellectual product belongs to MTTest Solutions. Forwarding it to 3rd. party, copying it or using for any other purpose without the written approval of MTTest Solutions, could entail to legal and criminal procedure!	Checked			CUST-SET-Dx-L	
	Note				
				 	<b>A4</b>   SHEET 3 OF 3

