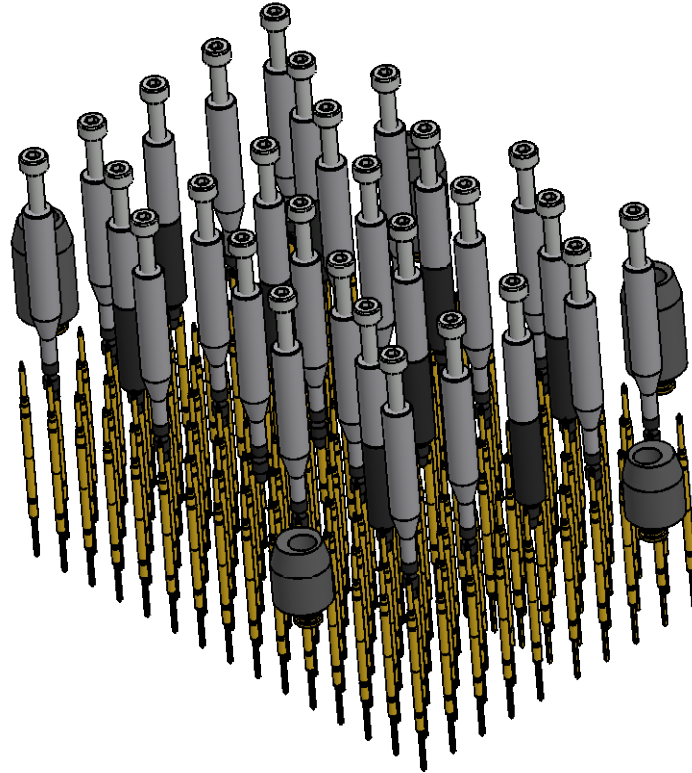


Item No.	QTY	Item Description	Item Code	Supplier
1	9	Push Rod L=39.4mm-M3 D=6mm	FIXT-PR-538	MTTest Solutions
2	19	Push Rod L=39,4mm-M3 D=3mm	FIXT-PR-527	MTTest Solutions
3	28	Screw M3x16	ME1448	MTTest Solutions
4	3	Excentric Positioner Top Screw	FIXT-EXC-023	MTTest Solutions
5	2	Excentric Positioner_Top Screw	FIXT-EXC-022	MTTest Solutions
6	5	Screw M3x10	ME1390	MTTest Solutions
7	5	Threaded insert M3	MRB-013	MTTest Solutions
8	28	Antistatic Tap h2,5	ME1596	MTTest Solutions
9	150	Receptacle	RCP066 WR08	MTTest Solutions
10	150	Test probe	ST1000 LA53 M	MTTest Solutions



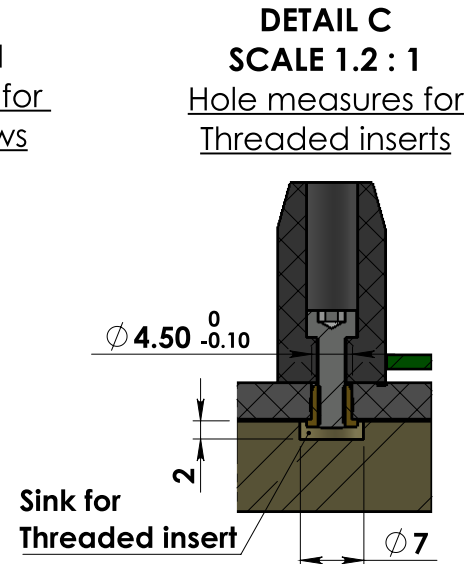
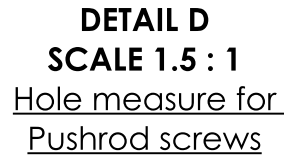
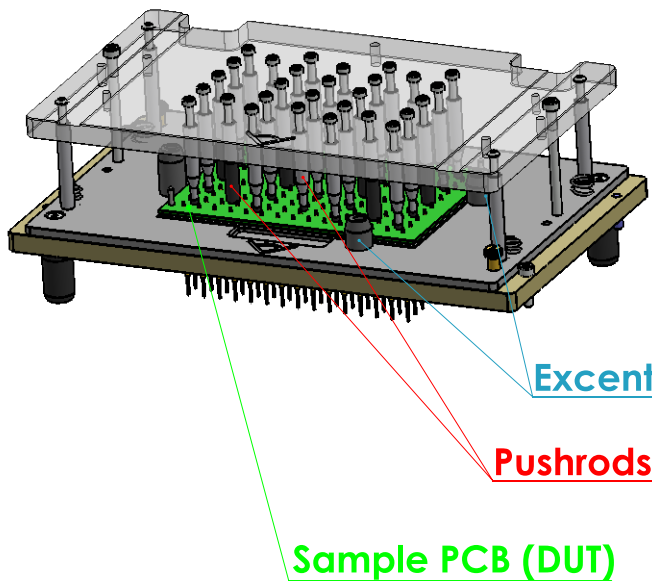
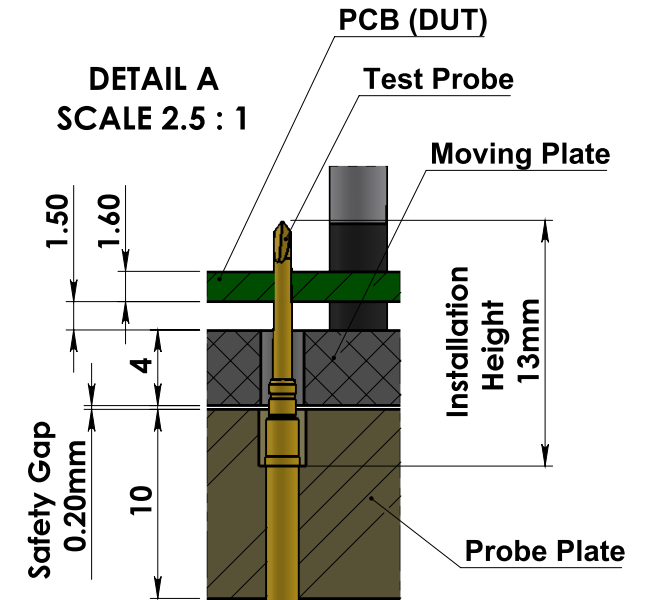
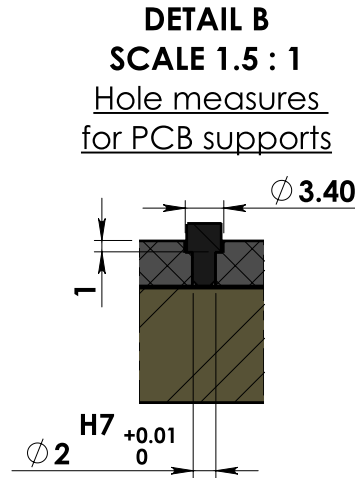
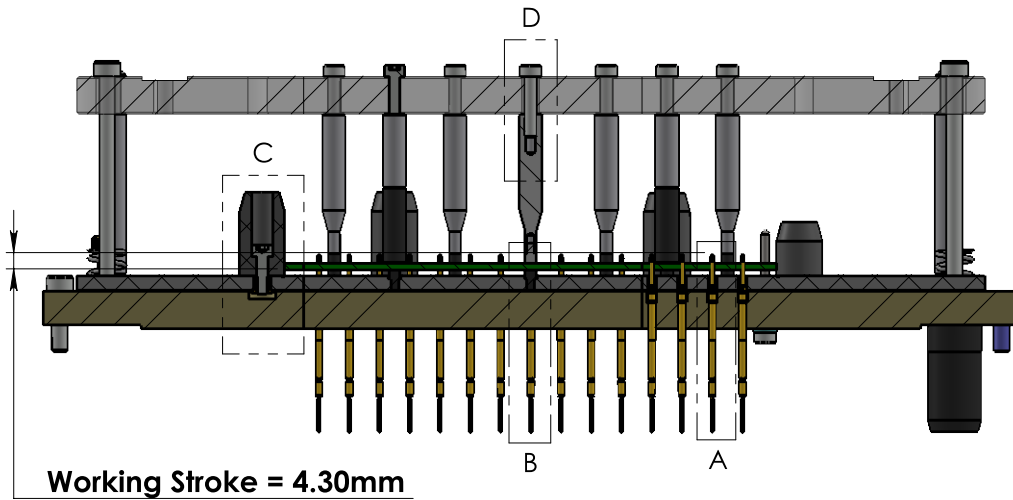
REV

The design of the product and its components may be changed as they are project-dependent.

© COPYRIGHT 2019 MTTTEST SOLUTIONS ALL RIGHTS RESERVED	Designed	Name A.K.	Date 03.10.2025.	Catalog Item: EXCH-HPS-xx Startup Large Set	
	Drawn	Checked	Note	Drawing No.: <b>CUST-SET-HPSx-L</b>	
This drawing, model, intellectual product belongs to MTTTest Solutions. Forwarding it to 3rd. party, copying it or using for any other purpose without the written approval of MTTTest Solutions, could entail to legal and criminal procedure!					

# EXCH-HPS-xx Exch Kit STARTUP

## Guidence for Customization



Receptacle

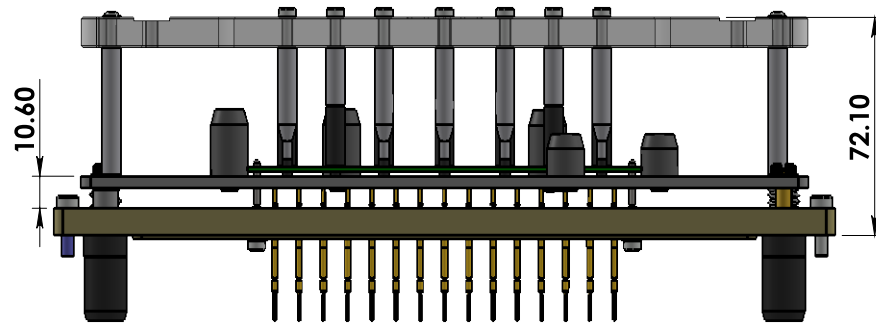
REV

© COPYRIGHT 2019 MTEST SOLUTIONS ALL RIGHTS RESERVED  This drawing, model, intellectual product belongs to MTest Solutions. Forwarding it to 3rd. party, copying it or using for any other purpose without the written approval of MTest Solutions, could entail to legal and criminal procedure!	Designed	Name	Date	Catalog Item:
	Drawn	A.K.	03.10.2025.	EXCH-HPS-xx Startup Large Set
	Checked			Drawing No.:
	Note			<b>CUST-SET-HPSx-L</b>
				A4 SHEET 2 OF 3

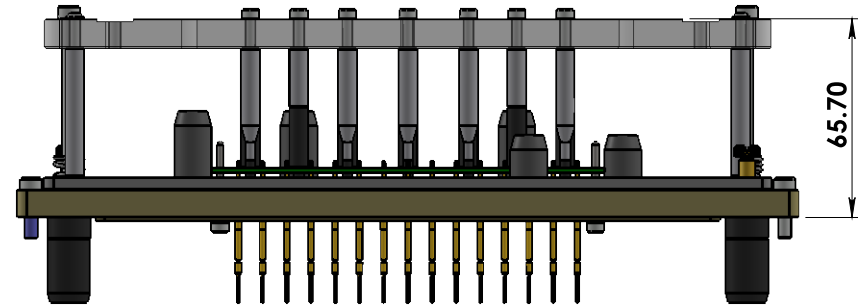
# EXCH-HPS-xx Exch Kit STARTUP

## Guidence for Customization

### Open position

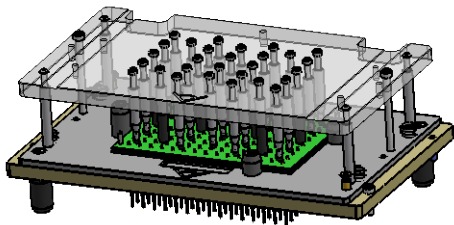


### Test position


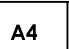



Parallel movement: 6.40mm

Max. Component Height (with 1.60mm thick PCB): 30mm



REV

© COPYRIGHT 2019 MITEST SOLUTIONS ALL RIGHTS RESERVED  This drawing, model, intellectual product belongs to MTest Solutions. Forwarding it to 3rd. party, copying it or using for any other purpose without the written approval of MTest Solutions, could entail to legal and criminal procedure!	Designed	Name A.K.	Date 03.10.2025.	Catalog Item: EXCH-HPS-xx Startup Large Set
	Drawn			Drawing No.:
	Checked			<b>CUST-SET-HPSx-L</b>
	Note			  A4 SHEET 3 OF 3
				 <b>MTest Solutions</b>