



**CATALOG
FOR
INDUSTRIAL TESTING CONNECTORS**



TABLE OF CONTENTS

027_5150_09 - JIG - 01	3
027_5150_09 - JIG - 02	4

HIRSCHMANN	
HIRSCHMANN705-616 - JIG	5
HIRSCHMANN805-121 - JIG	6
HIRSCHMANN805-587 - JIG - 01	7
HIRSCHMANN805-587 - JIG - 02	8
HIRSCHMANN805 588 - JIG - 01	9
HIRSCHMANN805-588-JIG - 02	10
HIRSCHMANN805-588 - JIG - LR	11
HIRSCHMANN805-588 - JIG - LS	12
HIRSCHMANN805-588-JIG - LS - LR	13
HIRSCHMANN872-975 - JIG	14

JST	
JST-02R - JIG	15
JSTB6P-VH - JIG	16
JSTBM05B-PASS-TF - JIG	17
JSTPHR-3 - JIG	18
JSTSMR-12V-B - JIG	19
JSTXADR-16V - JIG	20
JSTZHR-2 - JIG	21
JSTZHR-3 - JIG	22
JSTZHR-4 - JIG	23

KET CO.	
KETMG642984 - JIG	24
KETMG645590 - JIG	25

MOLEX	
MOLEX039012040-039012240 - JIG	26
MOLEX03901-2040 - JIG	27
MOLEX42820-2219 - JIG	28
MOLEX43020-0401 - JIG	29
MOLEX43020-1801 - JIG	30
MOLEX43025-0400 - JIG - 01	31
MOLEX43025-0400 - JIG - 02	32
MOLEX477450100 - JIG	33
MOLEX5023521-200 - JIG	34
MOLEX51021-0200 - JIG	35
MOLEX521170241 - JIG	36
MOLEX52117-0241 - JIG	37
MOLEX90156-0146 - JIG	38
MOLEXSD-502225-001 - JIG	39

MOUSER	
MOUSERDTM06-4S - JIG	40

OEM	
OEM04C 907 660 A - JIG	41
OEM1J0973119 - JIG	42
OEM4F0972483B - JIG	43
OEM6X0 973 817 - JIG	44
OEM7P0 972 735 - JIG	45

OEM850 972 705 - JIG	46
OEMA 000 153 45 24 - JIG	47

PHOENIX CONTACT	
PHOENIXPC-16-4-ST-10-16BK - JIG	48
PHOENIXSDDC 1.5/3PV-3.5 - JIG	49

ROSENBERGER	
ROSENBERGER59Z163-003F - JIG	50
ROSENBERGER59Z163-DC0-F - JIG	51
ROSENBERGER59Z176-C01 - JIG	52
ROSENBERGER59Z176-C01-C - JIG	53
ROSENBERGER59Z176-C01-F - JIG - 01	54
ROSENBERGER59Z176-C01-F - JIG - 02	55
ROSENBERGER59Z176-C01-F - JIG - LS	56
ROSENBERGER59Z178-000 - JIG	57
ROSENBERGERE6S20D-40MT5-Z - JIG	58

SUMITOMO	
SUMITOMO6098-8932 - JIG	59

TE CONNECTIVITY	
TE1-1379913-1 - JIG	60
TE1-1534155-1 - JIG	61
TE1-1703498-2 - JIG	62
TE1-1703874-1 - JIG	63
TE1-1718643-8 - JIG	64
TE1-1801177-1 - JIG	65
TE1-1801178-1 - JIG	66
TE1-214230-1 - JIG	67

TE1-2282337-1-JIG - 01	68
TE1-2282337-1-JIG - 02	69
TE1-2301521-4 - JIG	70
TE1379659-5 - JIG	71
TE1379675 - JIG	72
TE1745060-1 - JIG	73
TE1-929170-1B - JIG	74
TE1-929170-4 - JIG	75
TE1-966867 - JIG	76
TE1-968696-3 - JIG & JSTPARP-02V/03V - JIG	77
TE197228-2 - JIG	78
TE2141520-1-JIG - 01	79
TE2141520-1-JIG - 02	80
TE22-0363-031-000 - JIG	81
TE2208339-1 - JIG	82
TE2298567-1 - JIG	83
TE282106-1 - JIG	84
TE3-1718647-1 - JIG	85
TE4-966140-6 - JIG	86
TE6Q0 035 575 B - JIG	87
TE7-215083-6 - JIG	88
TE794805-1 - JIG	89
TEC-1534399 - JIG	90
TEDT04-3P - JIG	91

OPTIONS	
REMARK	
JIG QUESTIONNAIRE	

MTTest Solutions is a technology firm specializing in the design and production of professional test equipment for the electrical testing of connectors and electronics. With over 15 years of experience in this sector, we have established ourselves as a leader in the field of industrial, hand-operated, modular Test Jigs.

Our catalog features Test Jig solutions that provide both immediate and durable modular options for various connector types from different OEM suppliers, tailored for your shop floor testing needs.

Identification is easy, as OEM connector item numbers are displayed on each page, to facilitate quick and effective selection of the appropriate jig from our catalog.

If you utilize any of these connectors in your production environment, please reach out to us with your required quantity, and we will provide you with a quote accordingly.

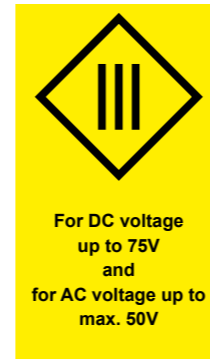
We recognize that your needs may differ, and you may not find the precise Test Jig you require within this catalog. Rest assured, we are also equipped to assist you with custom solutions; simply complete the questionnaire located at the back of this catalog and send it to us at info@mttestsolutions.com.

We eagerly anticipate the opportunity to welcome you as our new and satisfied customer in the near future.

Safety instruction for testing with extra-low voltage

As a standard all test fixtures are designed for extra-low voltage (SELV) and therefore meet the protection class III. The testing voltages of 50 Volt AC and 75 Volt DC must never be exceeded by these units.

This catalog is a general guide to the products. Buyers and users must decide themselves in regard to the suitability and safety of the products for their applications. No responsibility can be taken from the supplier's side. We reserve right to carry out design and/or material specification changes without prior notice.



Hand and Robot operated Jigs (adapters) – with Spring – Loaded Test Probes

Our hand-operated Test Jigs with spring-loaded test probes are designed for efficient and reliable testing on the shop floor. These Jigs provide a reliable and efficient solution for testing electronic components and assemblies like connectors. A key feature is their maintenance-friendly design, allowing users quick and easy access to the test probes and receptacles by simply unscrewing a few fasteners.

This minimizes downtime and simplifies troubleshooting. Available in both manually-operated versions, utilizing human force for actuation, and machine or robot compatible versions, our Test Jigs offer flexibility to suit a variety of production environments and automation strategies. Choose the option that best aligns with your throughput requirements and operational capabilities. Whether used in manual or automated settings, our Test Jigs provide a flexible and durable solution for meeting the rigorous demands of modern manufacturing and quality control.

Precision meets simplicity on the shop floor

These Jigs are engineered to streamline testing process, ensuring reliability and ease of use in even the most demanding environments.

Simplicity in Operation, Precision in Results

The hand, machine or robot operated Jigs are designed to be intuitive, allowing users to perform testing with minimal effort. Equipped with spring – loaded test probes, these jigs ensure consistent and reliable connections, critical for accurate test results. Whether you are diagnosing fault for verifying the functionality of electro-mechanical components, these Jigs deliver the precision you need.

Maintenance Made Easy

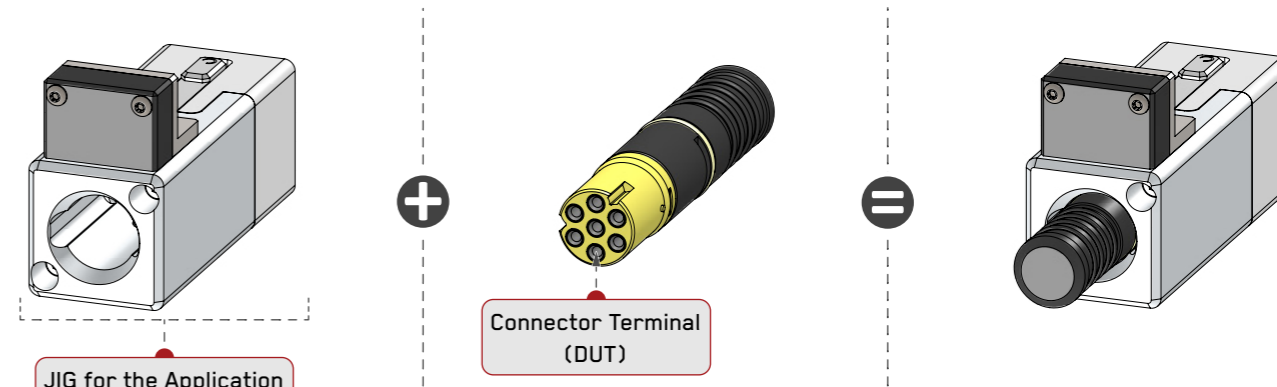
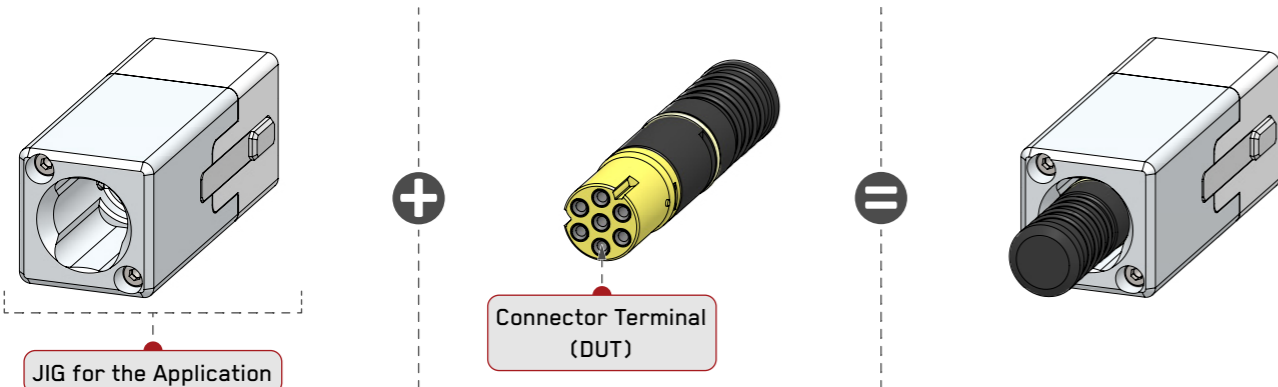
One of the standout features of these Test Jigs is their maintenance-friendly design. Unlike complex systems that require specialized tools or extensive downtime for repairs, these jigs allow users to access test probes and receptacles by simply unscrewing a few screws. This ease of maintenance ensures that your operations remain uninterrupted, saving valuable time and resources.

Flexibility for Every Need

While the hand-operated Test Jigs are ideal for scenarios where human touch and precision are essential, they also come in machine or robot-operated variants for high-volume or automated testing. Whether you're working on a prototype in a small workshop or managing a large-scale production line, there's a test jig to suit your needs.

A Tool for the Modern Workshop

The Hand-Operated Test Jigs with Spring-Loaded Test Probes are more than just tools; they're an investment in efficiency, precision, and innovation. For technology enthusiasts and shop floor professionals, they represent a seamless blend of functionality and ease of use, making them an indispensable asset in any modern workshop.

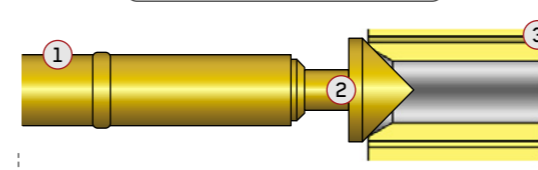
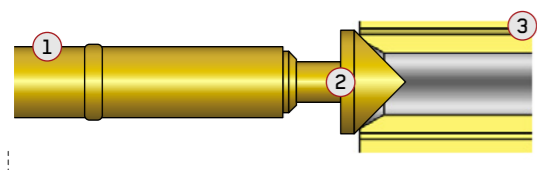


EXPLANATORY FIGURE VIEW

Streamlining Connector Testing:
027_5150_09 - JIG - 01

EXPLANATORY FIGURE VIEW

Streamlining Connector Testing:
027_5150_09 - JIG - 02



Equip-Test Spring Loaded Probe connects to DUT Terminal

Equip-Test Spring Loaded Probe connects to DUT Terminal

Efficient and reliable testing is vital in manufacturing, and the 027_5150_09 - JIG - 01 requires a dedicated solution. Our hand operated Test Jig is purpose-built for this DUT, simplifying testing with a robust, user-friendly design.

For efficient manufacturing, accurate, rapid testing is key. The 027_5150_09 - JIG connector uses a specialized, mountable Test Jig for automated testing. It integrates seamlessly with existing systems or robotic arms, ensuring precise, repeatable results.

It features spring-loaded test probes and receptacles from OEM supplier Equip-Test, enabling 6 Amp current flow. Delivered without wiring or cable gland, the Jig is manually pressed against the connector during operation.

The Jig features high-quality spring-loaded test probes and receptacles from Equip-Test. Hand operated up to 6 Amps. Delivered unwired for customization, its automated operation ensures reliable contact and boosts efficiency.

Though currently hand operated Test Jig, the modular design supports future automation via robotic arms. Maintenance is easy thanks to accessible, replaceable components and the durable aluminum housing ensures long-term reliability.

Its modular design allows easy replacement of probes and receptacles, minimizing downtime. Built with durable aluminum, this Jig offers longevity and consistent performance, ultimately enhancing product quality and operational efficiency.

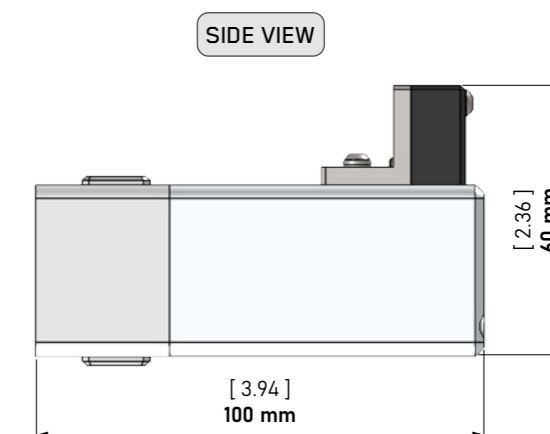
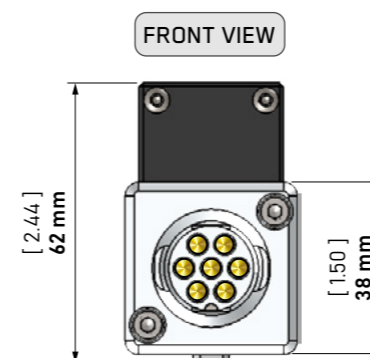
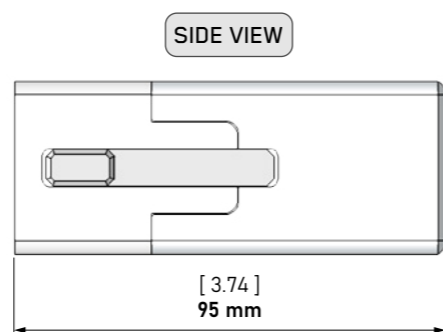
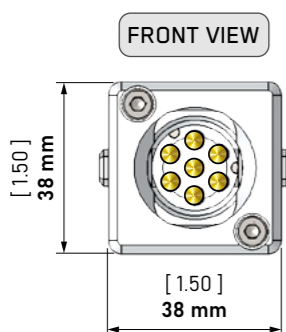
We recommend using our special tools for safe insertion and removal of probes and receptacles. These help prevent damage, maintain Jig integrity, and support smooth, consistent testing on the production floor.

1	2	3
Receptacle (Socket)	Test Probe	Terminal Nr.
RCP106 SR03	ST1800 UE05 M	027_5150_09

1	2	3
Receptacle (Socket)	Test Probe	Terminal Nr.
RCP106 SR03	ST1800 UE05 M	027_5150_09

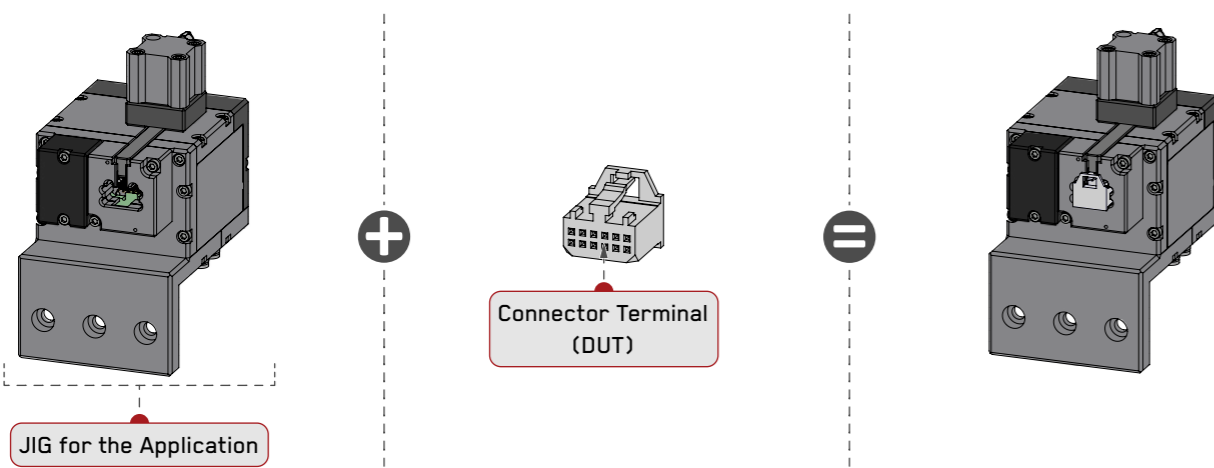
Tools for RCP106 SR03	
Insertion Bit / Handle TBR18735 / TH1	Extraction Bit / Handle TBR18770 / TH2
Tools for ST1800 UE05 M	
Insertion Bit / Handle TBP18770 / TH1	Extraction Bit / Handle TBP18770 / TH1

Tools for RCP106 SR03	
Insertion Bit / Handle TBR18735 / TH1	Extraction Bit / Handle TBR18770 / TH2
Tools for ST1800 UE05 M	
Insertion Bit / Handle TBP18770 / TH1	Extraction Bit / Handle TBP18770 / TH1



DUT Number	027_5150_09	General Information
DUT Manufacturer		
Receptacle(s) + Test Probe(s)	RCP106 SR03 + ST1800 UE05 M (6A)	Jig Type: Hand Operated Test Jig
Cable Gland Size	Without Cable Gland	

DUT Number	027_5150_09	General Information
DUT Manufacturer		
Receptacle(s) + Test Probe(s)	RCP106 SR03 + ST1800 UE05 M (6A)	Jig Type: Mountable Test Jig
Cable Gland Size	Without Cable Gland	



JIG for the Application

Connector Terminal (DUT)

EXPLANATORY FIGURE VIEW



Equip-Test Spring Loaded Probe connects to DUT Terminal

Streamlining Hirschmann Connector Testing: HIRSCHMANN705-616 - JIG

The HIRSCHMANN705-616 - JIG is a robust, mountable Test Jig specifically engineered for the reliable and efficient testing of Hirschmann connectors. It incorporates a pneumatic locking mechanism, which guarantees secure and repeatable connections, significantly reducing operator error and enhancing overall production throughput.

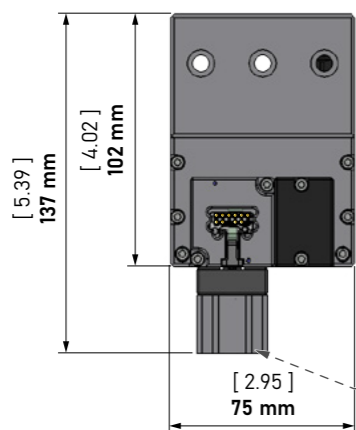
At its core, the Jig includes a threaded Equip-Test Test Probe TT1005 RB04 MX, capable of hand operated testing up to 5A for industrial applications. It also features an Equip-Test Switch Probe SWT1005 IW93 M for precise detection and control.

Built-in cable glands offer strain relief, while the mountable design ensures a stable setup for any production or test environment.

1	2	3
Receptacle (Socket)	Test Probe	Terminal Nr.
RCT079 SR08	TT1005 RB04 MX	705-616

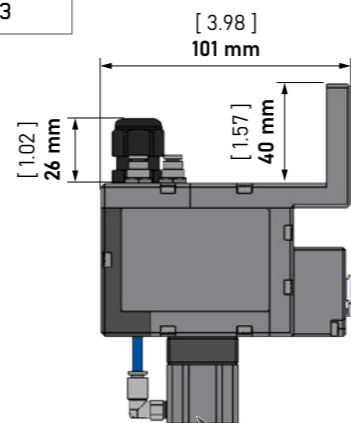
Tools for RCT079 SR08		Tools for RCT079 QE03	
Insertion Bit / Handle TBR10036 / TH1	Extraction Bit / Handle TBR10071 / TH2	Insertion Bit / Handle TBR10036 / TH1	Extraction Bit / Handle TBR10071 / TH2
Tools for TT1005 RB04 MX		Tools for SWT1005 IW93 M	
Insertion Bit / Handle TBT10079 / TH3	Extraction Bit / Handle TBT10079 / TH3	Insertion Bit / Handle TBT10079 / TH3	Extraction Bit / Handle TBT10079 / TH3

FRONT VIEW



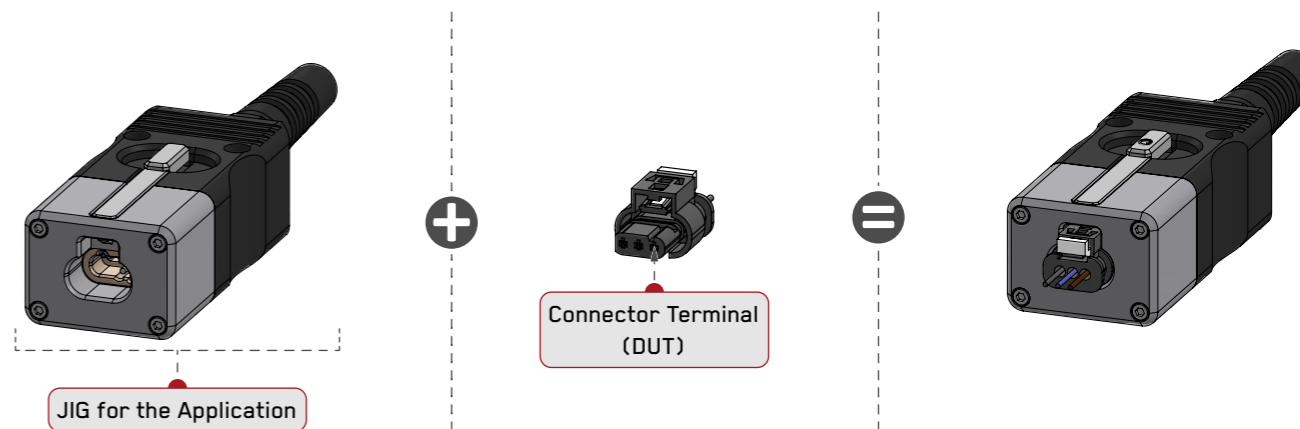
Pneumatic release

SIDE VIEW



Pneumatic release

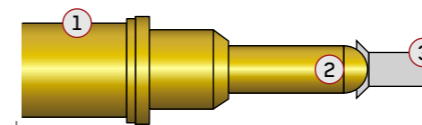
DUT Number	705-616	General Information
DUT Manufacturer	Hirschmann	Jig Type: Mountable Test Jig Locking Mechanism: Pneumatic locking mechanism
Receptacle(s) + Test Probe(s)	RCT079 SR08 + TT1005 RB04 MX (5A) RCT079 QE03 + SWT1005 IW93 M (3A)	
Cable Gland Size	M16 x 1.5	



JIG for the Application

Connector Terminal (DUT)

EXPLANATORY FIGURE VIEW



Equip-Test Spring Loaded Probe connects to DUT Terminal

Streamlining Hirschmann Connector Testing: HIRSCHMANN805-121 - JIG

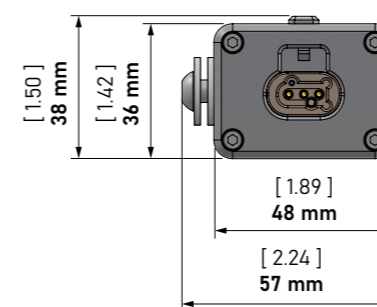
The HIRSCHMANN805-121 - JIG is a hand operated operated Test Jig for reliable and easy testing of Hirschmann connectors. It's ideal for R&D, quality control, or low-to-medium volume production where flexibility and accuracy are crucial. This Jig features a PEEK material probe cap for enhanced thermal and mechanical resistance.

This JIG features a threaded Equip-Test Test Probe TT1005 RA07 MX (5A) for stable electrical contact, plus an integrated cable gland for durable, professional cable management.

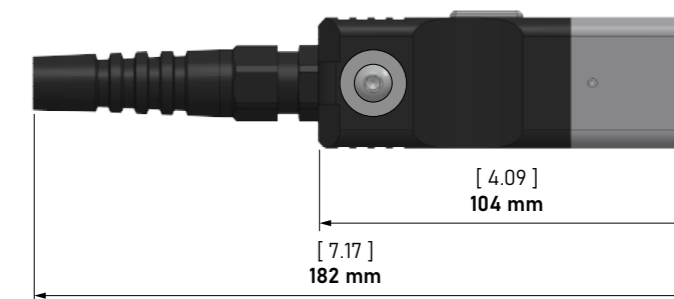
1	2	3
Receptacle (Socket)	Test Probe	Terminal Nr.
RCT079 SR08	TT1005 RA07 MX	805-121

Tools for RCT079 SR08		Tools for RCT079 QE03	
Insertion Bit / Handle TBR10036 / TH1	Extraction Bit / Handle TBR10071 / TH2	Insertion Bit / Handle TBR10036 / TH1	Extraction Bit / Handle TBR10071 / TH2
Tools for TT1005 RA07 MX		Tools for SWT1005 IW93 M	
Insertion Bit / Handle TBT10079 / TH3	Extraction Bit / Handle TBT10079 / TH3	Insertion Bit / Handle TBT10079 / TH3	Extraction Bit / Handle TBT10079 / TH3

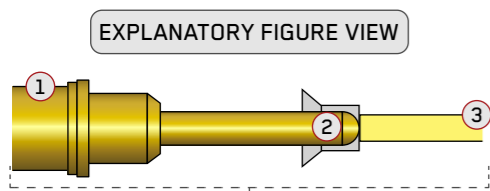
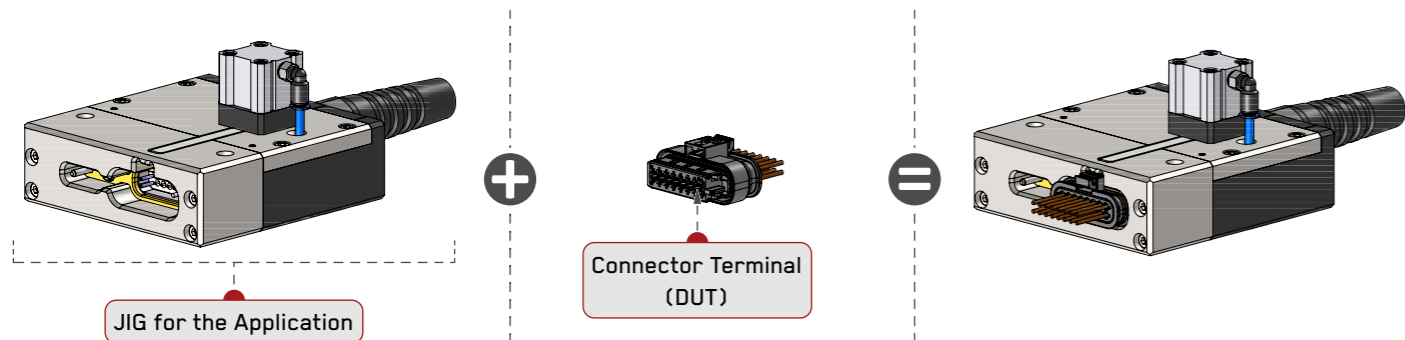
FRONT VIEW



SIDE VIEW



DUT Number	805-121	General Information
DUT Manufacturer	Hirschmann	Jig Type: Hand Operated Test Jig
Receptacle(s) + Test Probe(s)	RCT079 SR08 + TT1005 RA07 MX (5A) RCT079 QE03 + SWT1005 IW93 M (3A)	
Cable Gland Size	M16 x 1.5	



Streamlining Hirschmann Connector Testing: HIRSCHMANN805-587 - JIG - 01

The HIRSCHMANN805-587 - JIG - 01 is a robust, mountable Test Jig purpose-built for fast and accurate testing of Hirschmann connectors. Designed with productivity and reliability in mind. It features a pneumatic locking mechanism that ensures consistent, repeatable connections.

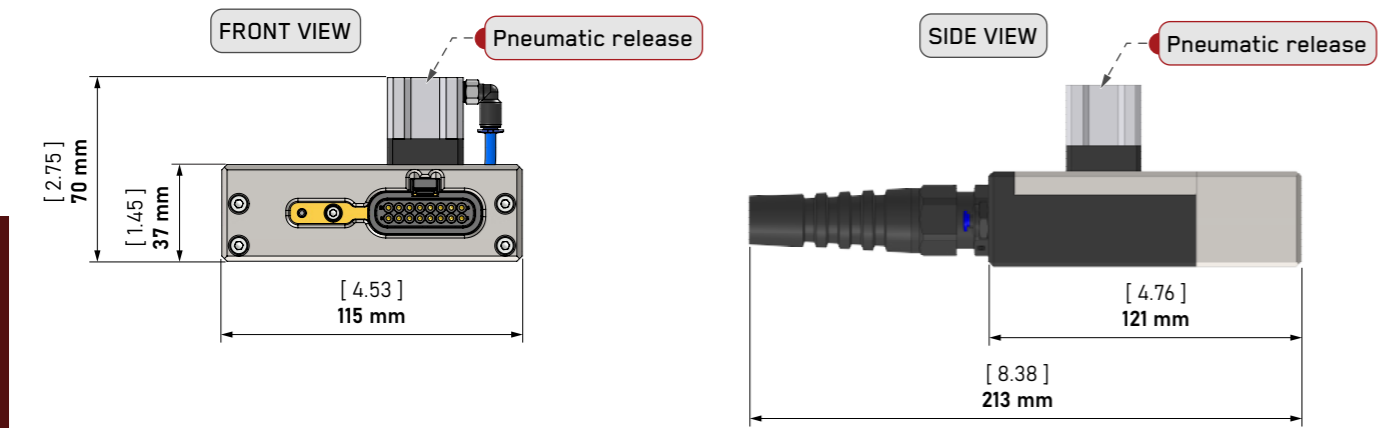
At the heart of the Jig is a threaded Equip-Test Test Probe TT1005 RB06 MX, rated for up to 5A, providing stable and high-performance electrical contact. In addition, the Jig includes a precision switch probe SWT1005 IW93 M, allowing for accurate signal feedback and control during the test process.

Equip-Test Spring Loaded Probe connects to DUT Terminal

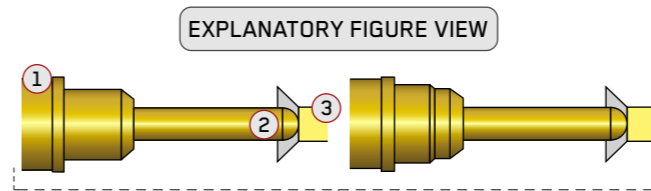
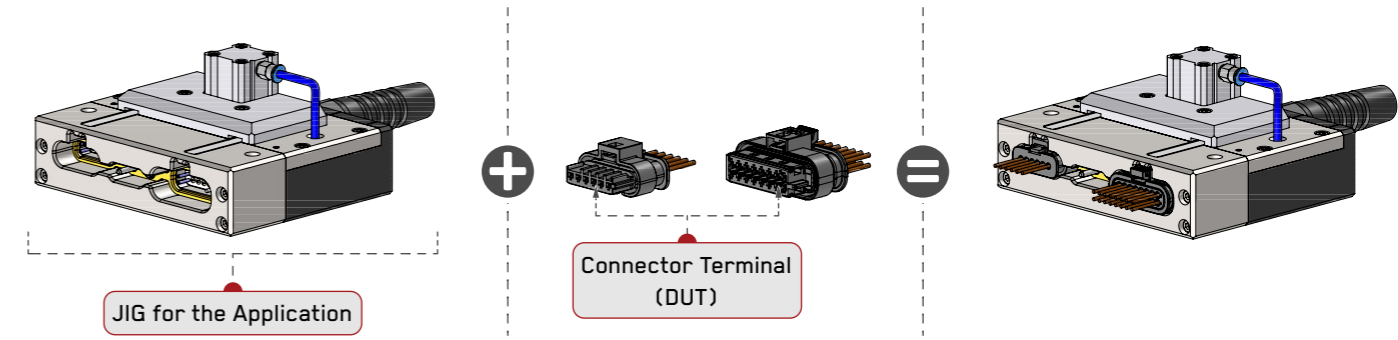
1	2	3
Receptacle (Socket)	Test Probe	Terminal Nr.
RCT079 SR08	TT1005 RB06 MX	805-587

Tools for RCT079 SR08		Tools for RCT079 QE03	
Insertion Bit / Handle	Extraction Bit / Handle	Insertion Bit / Handle	Extraction Bit / Handle
TBR10036 / TH1	TBR10071 / TH2	TBR10036 / TH1	TBR10071 / TH2
Tools for TT1005 RB06 MX		Tools for SWT1005 IW93 M	
Insertion Bit / Handle	Extraction Bit / Handle	Insertion Bit / Handle	Extraction Bit / Handle
TBT10079 / TH3	TBT10079 / TH3	TBT10079 / TH3	TBT10079 / TH3

A built-in cable gland supports organized cable routing and secure strain relief, while the bench-top mountable design ensures a solid, ergonomic setup for demanding industrial environments.



DUT Number	805-587	General Information
DUT Manufacturer	Hirschmann	
Receptacle(s) + Test Probe(s)	RCT079 SR08 + TT1005 RB06 MX (5A) RCT079 QE03 + SWT1005 IW93 M (3A)	
Cable Gland Size	M20 x 1.5	
		Jig Type: Mountable Test Jig
		Locking Mechanism: Pneumatic locking mechanism



Streamlining Hirschmann Connector Testing: HIRSCHMANN805-587 - JIG - 02

The HIRSCHMANN805-587 - JIG - 02 is a high-performance, mountable Test Jig designed specifically for Hirschmann connectors. Featuring a pneumatic locking system, this Jig ensures fast, repeatable, and secure connections—perfect for high-throughput production environments where efficiency and consistency are critical.

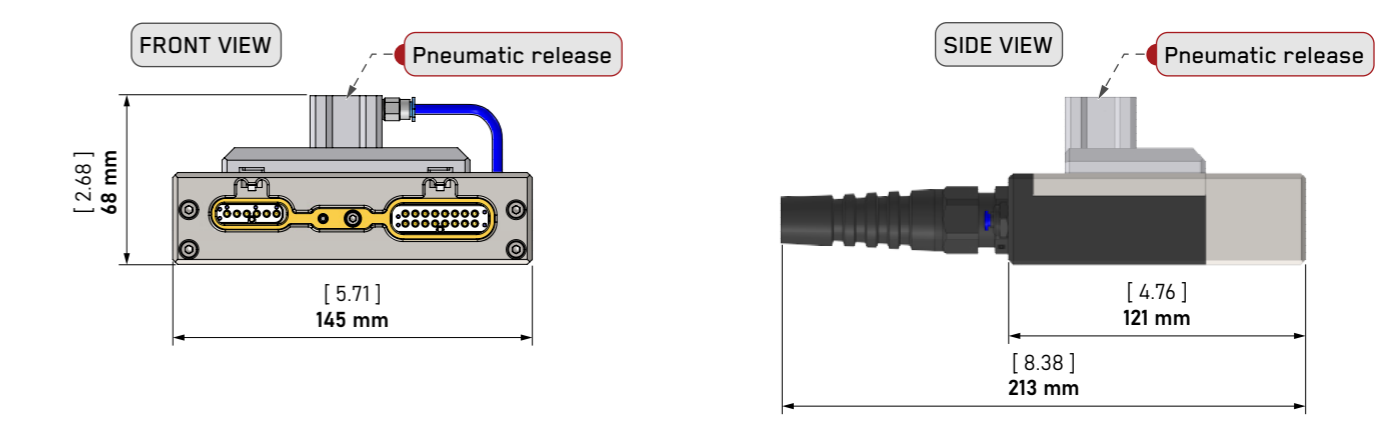
At its core, the Jig is equipped with a threaded Equip-Test Test Probe TT1005 RB06 MX, rated for up to 5A, ensuring reliable electrical contact under load. It also includes an Equip-Test switch probe SWT1005 IW93 M that provides precise feedback during the testing cycle.

Equip-Test Spring Loaded Probe connects to DUT Terminal

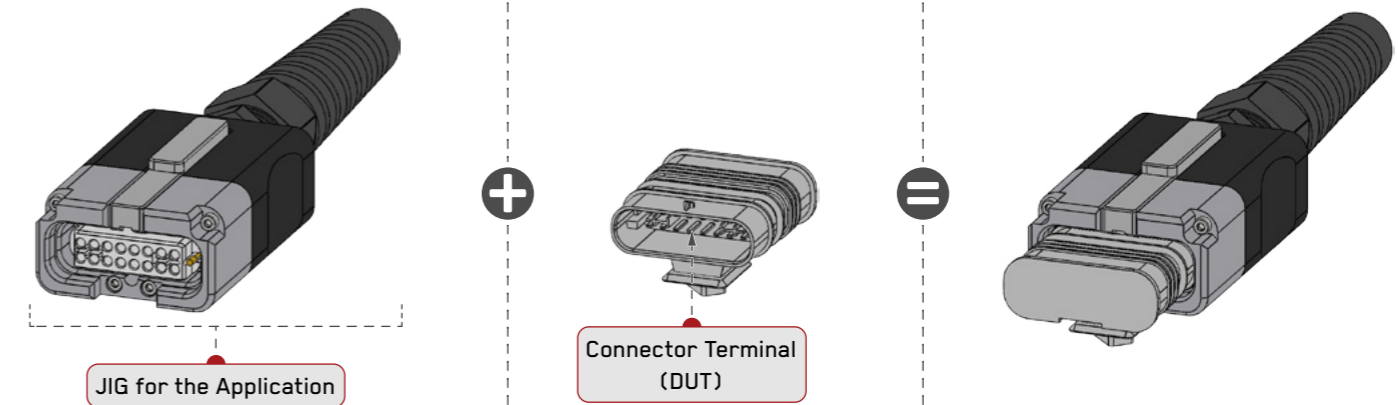
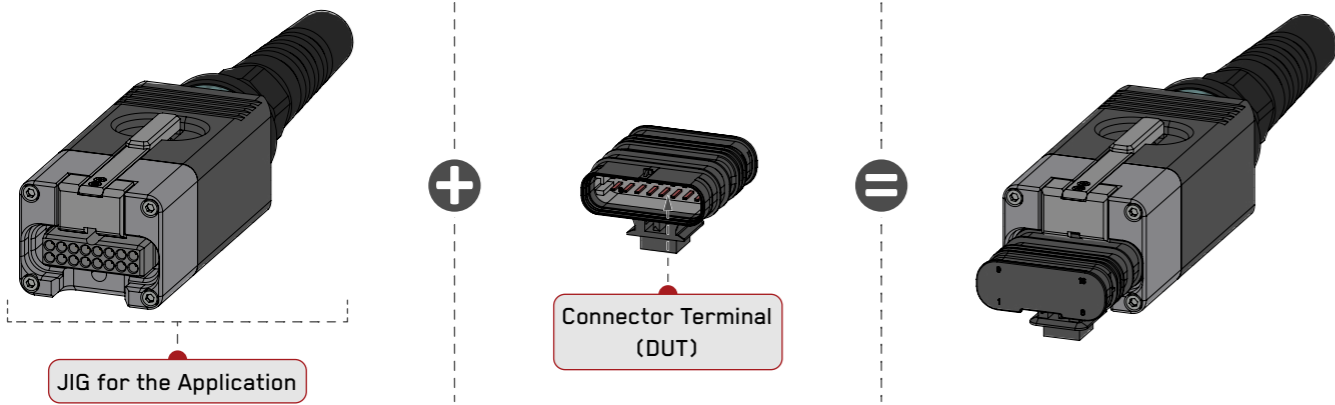
1	2	3
Receptacle (Socket)	Test Probe	Terminal Nr.
RCT079 SR08	TT1005 RB06 MX	805-587

Tools for RCT079 SR08		Tools for RCT079 QE03	
Insertion Bit / Handle	Extraction Bit / Handle	Insertion Bit / Handle	Extraction Bit / Handle
TBR10036 / TH1	TBR10071 / TH2	TBR10036 / TH1	TBR10071 / TH2
Tools for TT1005 RB06 MX		Tools for SWT1005 IW93 M	
Insertion Bit / Handle	Extraction Bit / Handle	Insertion Bit / Handle	Extraction Bit / Handle
TBT10079 / TH3	TBT10079 / TH3	TBT10079 / TH3	TBT10079 / TH3

An integrated cable gland offers clean cable routing and strain relief, enhancing both safety and durability. The desktop mountable design guarantees a stable, ergonomic setup for continuous, hand-operated-free operation.



DUT Number	805-587	General Information
DUT Manufacturer	Hirschmann	
Receptacle(s) + Test Probe(s)	RCT079 SR08 + TT1005 RB06 MX (5A) RCT079 QE03 + SWT1005 IW93 M (3A)	
Cable Gland Size	M20 x 1.5	
		Jig Type: Mountable Test Jig
		Locking Mechanism: Pneumatic locking mechanism

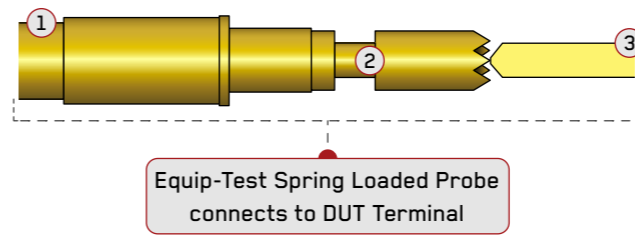
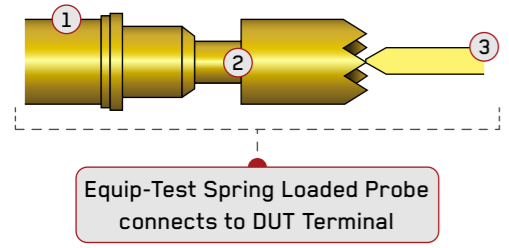


EXPLANATORY FIGURE VIEW

Streamlining Hirschmann Connector Testing: HIRSCHMANN805 588 - JIG - 01

EXPLANATORY FIGURE VIEW

Streamlining Hirschmann Connector Testing: HIRSCHMANN805-588-JIG - 02



The HIRSCHMANN805 588 - JIG - 01 is a hand operated Test Jig engineered for precise and efficient testing of Hirschmann connectors. Its compact design and manual operation make it an ideal choice for small to medium production volumes, prototype testing, or lab environments.

The HIRSCHMANN805-588 - JIG - 02 is a compact and reliable hand operated Test Jig, specifically designed for testing Hirschmann connectors with precision and ease. Ideal for R&D labs, quality control stations, or small-batch production, this Jig offers hand operated control without compromising performance.

Equipped with a threaded Equip-Test Test Probe TT1005 CG07 MX rated for up to 5A, this Jig ensures dependable electrical contact even under demanding conditions.

It features a threaded Equip-Test Test Probe TT1000 CG04 N, rated for up to 5A, ensuring stable and high-quality electrical contact. Additionally, the integrated Equip-Test switch probe SWT1005 FA07 M enables precise detection of connector engagement or test conditions.

For enhanced usability, the optional LED ring offers clear visual feedback during testing, ideal for high-visibility workspaces or operator guidance.

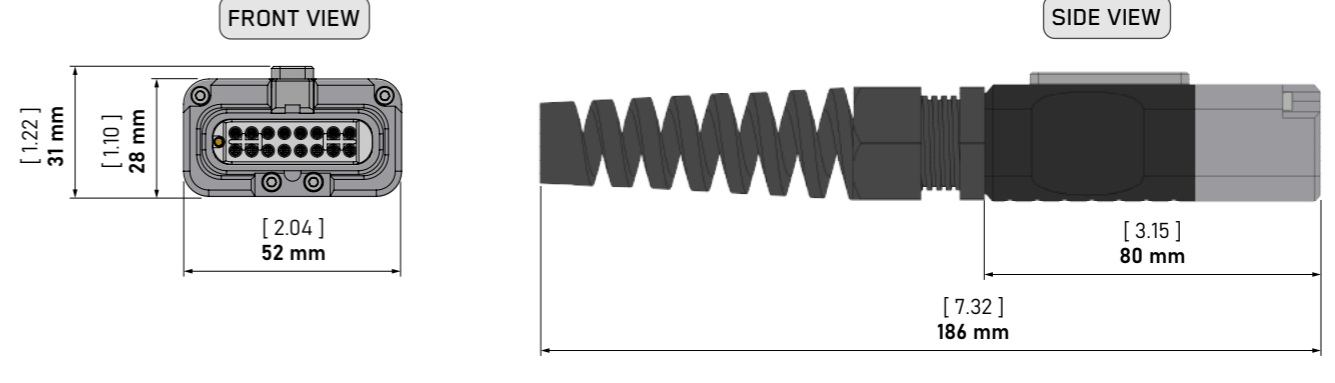
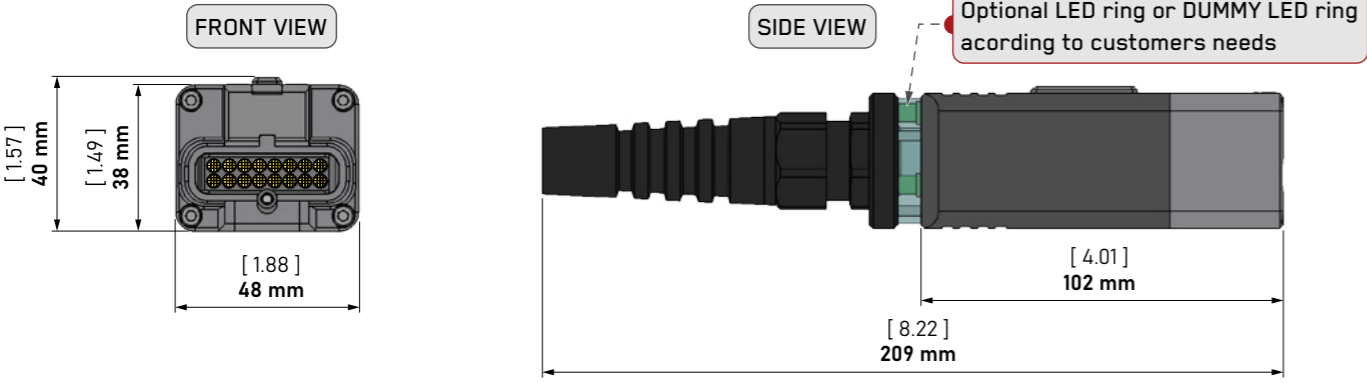
An integrated cable gland provides strain relief and organized cable routing for long-term durability.

1	2	3
Receptacle (Socket)	Test Probe	Terminal Nr.
RCT079 SR08	TT1005 CG07 MX	805 588

1	2	3
Receptacle (Socket)	Test Probe	Terminal Nr.
RCT067 SR04	TT1000 CG04 N	805-588

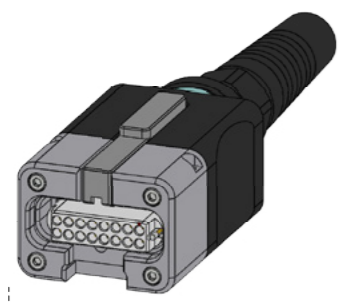
Tools for RCT079 SR08		Tools for RCT118 QR03	
Insertion Bit / Handle	Extraction Bit / Handle	Insertion Bit / Handle	Extraction Bit / Handle
TBR10036 / TH1	TBR10071 / TH2	TBR16035 / TH1	TBR16070 / TH2
Tools for TT1005 CG07 MX		Tools for SWT1405 IT92 LS	
Insertion Bit / Handle	Extraction Bit / Handle	Insertion Bit / Handle	Extraction Bit / Handle
TBT10079 / TH3	TBT10079 / TH3	TBT14071 / TH3	TBT14071 / TH3

Tools for RCT067 SR04		Tools for RCT079 QE03	
Insertion Bit / Handle	Extraction Bit / Handle	Insertion Bit / Handle	Extraction Bit / Handle
TBR10035 / TH1	TBR10070 / TH2	TBR10036 / TH1	TBR10071 / TH2
Tools for TT1000 CG04 N		Tools for SWT1005 FA07	
Insertion Bit / Handle	Extraction Bit / Handle	Insertion Bit / Handle	Extraction Bit / Handle
TBT10070 / TH3	TBT10070 / TH3	TBT10079 / TH3	TBT10079 / TH3

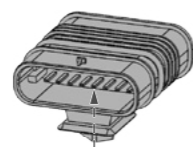


DUT Number	805 588 (A0001534524)	General Information
DUT Manufacturer	Hirschmann	
Receptacle(s) + Test Probe(s)	RCT079 SR08 + TT1005 CG07 MX (5A) RCT118 QR03 + SWT1405 IT92 LS (5A)	
Cable Gland Size	M20 x 1.5	
		Jig Type: Hand Operated Test Jig
		Optional Configuration: Optional LED ring or DUMMY LED ring

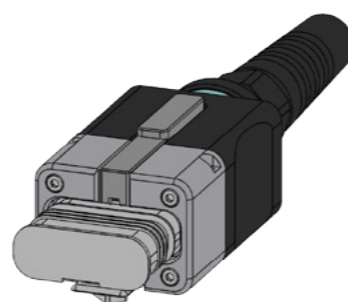
DUT Number	805-588	General Information
DUT Manufacturer	Hirschmann	
Receptacle(s) + Test Probe(s)	RCT067 SR04 + TT1000 CG04 N (5A) RCT079 QE03 + SWT1005 FA07 (3A)	
Cable Gland Size	M20 x 1.5	
		Jig Type: Hand Operated Test Jig



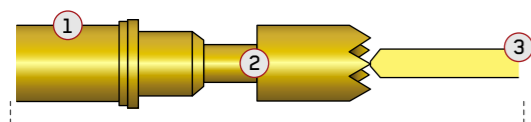
JIG for the Application



Connector Terminal (DUT)



EXPLANATORY FIGURE VIEW



Equip-Test Spring Loaded Probe connects to DUT Terminal

Streamlining Hirschmann Connector Testing: HIRSCHMANN805-588 - JIG - LR

The HIRSCHMANN 805-588 - JIG - LR is a high-quality hand operated Test Jig for precise testing of Hirschmann connectors. It's ideal for lab, small-scale production, and quality control, offering hand operated on control and accuracy.

This model includes a threaded Equip-Test contact pin TT1000 CG07 N, rated up to 5A for stable electrical performance. A switch probe SWT1005 IW93 M provides accurate connection and test status feedback.

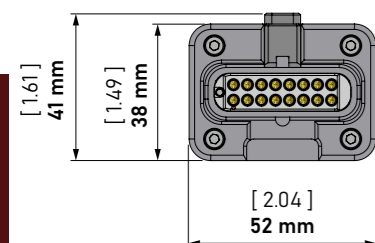
For improved visibility, an integrated LED ring offers clear visual indication during testing, enhancing efficiency and reducing errors.

A built-in cable gland ensures organized cable routing and strain relief, promoting durability and a clean setup.

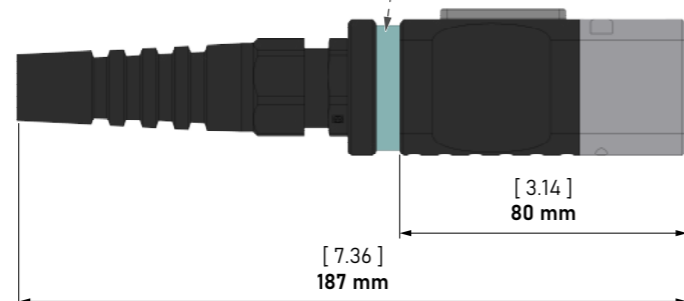
1	2	3
Receptacle (Socket)	Test Probe	Terminal Nr.
RCT079 SR08	TT1005 CG07 MX	805-588

Tools for RCT079 SR08		Tools for RCT079 QE03	
Insertion Bit / Handle	Extraction Bit / Handle	Insertion Bit / Handle	Extraction Bit / Handle
TBR10036 / TH1	TBR10071 / TH2	TBR10036 / TH1	TBR10071 / TH2
Tools for TT1005 CG07 MX		Tools for SWT1005 IW93 M	
Insertion Bit / Handle	Extraction Bit / Handle	Insertion Bit / Handle	Extraction Bit / Handle
TBT10079 / TH3	TBT10079 / TH3	TBT10079 / TH3	TBT10079 / TH3

FRONT VIEW



SIDE VIEW

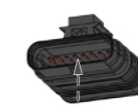


Optional LED ring or DUMMY LED ring according to customers needs

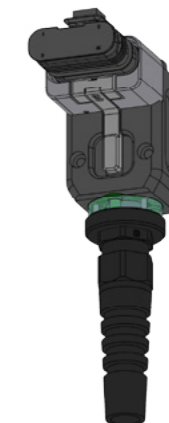
DUT Number	805-588	General Information
DUT Manufacturer	Hirschmann	Jig Type: Hand Operated Test Jig Optional Configuration: Optional LED ring or DUMMY LED ring
Receptacle(s) + Test Probe(s)	RCT079 SR08 + TT1005 CG07 MX (5A) RCT079 QE03 + SWT1005 IW93 M (3A)	
Cable Gland Size	M20 x 1.5	



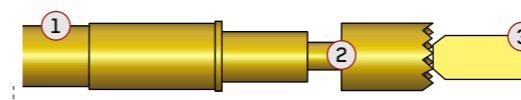
JIG for the Application



Connector Terminal (DUT)



EXPLANATORY FIGURE VIEW



Equip-Test Spring Loaded Probe connects to DUT Terminal

Streamlining Hirschmann Connector Testing: HIRSCHMANN805-588 - JIG - LS

The HIRSCHMANN 805-588 - JIG - LS is a precision L-shaped hand operated Test Jig for Hirschmann connectors. Its ergonomic, space-saving design is perfect for R&D labs, inspection, or low-volume production.

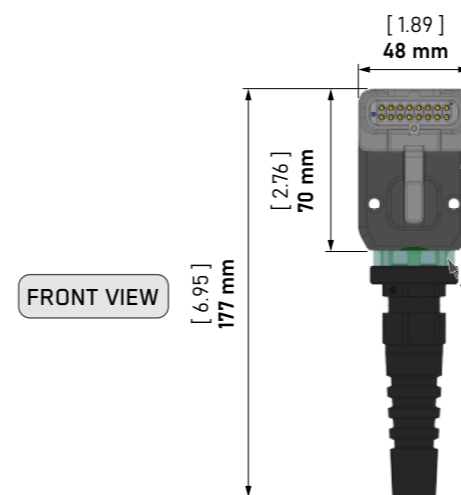
It includes a threaded Equip-Test contact pin TT1000 CG06 N, rated 5A for stable electrical connections, and a switch probe SWT1005 IW93 S for accurate status detection and reliable results.

An integrated LED ring provides clear visual feedback during testing, reducing errors. A built-in cable gland ensures clean cable routing and strain relief, enhancing durability.

1	2	3
Receptacle (Socket)	Test Probe	Terminal Nr.
RCT067 SR04	TT1000 CG06 N	805-588

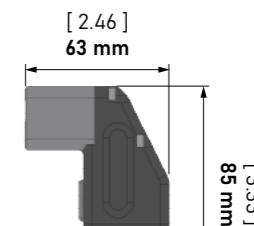
Tools for RCT067 SR04		Tools for RCT085 QE05	
Insertion Bit / Handle	Extraction Bit / Handle	Insertion Bit / Handle	Extraction Bit / Handle
TBR10035 / TH1	TBR10070 / TH2	TBR10036 / TH1	TBR10071 / TH2
Tools for TT1000 CG06 N		Tools for SWT1008 IW93 S	
Insertion Bit / Handle	Extraction Bit / Handle	Insertion Bit / Handle	Extraction Bit / Handle
TBT10072 / TH3	TBT10072 / TH3	TBT10079 / TH3	TBT10079 / TH3

FRONT VIEW



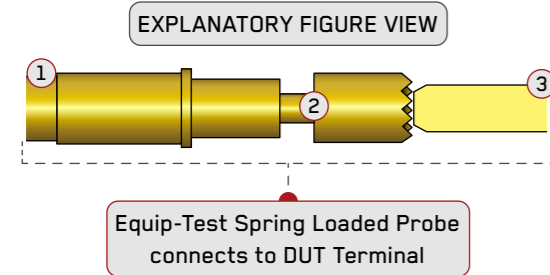
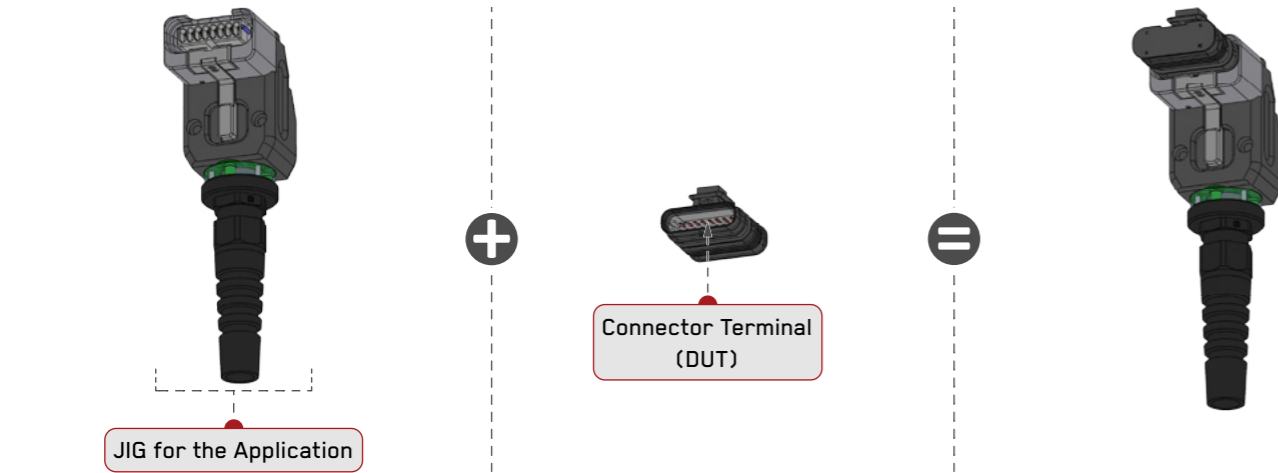
L-Shaped Jig

Optional LED ring or DUMMY LED ring according to customers needs



SIDE VIEW

DUT Number	805-588	General Information
DUT Manufacturer	Hirschmann	Jig Type: Hand Operated Test Jig Shape Design: L-Shaped design Optional Configuration: Optional LED ring or DUMMY LED ring
Receptacle(s) + Test Probe(s)	RCT067 SR04 + TT1000 CG06 N (5A) RCT085 QE05 + SWT1008 IW93 S (3A)	
Cable Gland Size	M20 x 1.5	



1	2	3
Receptacle (Socket)	Test Probe	Terminal Nr.
RCT067 SR04	TT1000 CG06 N	805-588

Tools for RCT067 SR04		Tools for RCT085 QE05	
Insertion Bit / Handle TBR10035 / TH1	Extraction Bit / Handle TBR10070 / TH2	Insertion Bit / Handle TBR10036 / TH1	Extraction Bit / Handle TBR10071 / TH2
Tools for TT1000 CG06 N		Tools for SWT1008 IW93 S	
Insertion Bit / Handle TBT10072 / TH3	Extraction Bit / Handle TBT10072 / TH3	Insertion Bit / Handle TBT10079 / TH3	Extraction Bit / Handle TBT10079 / TH3

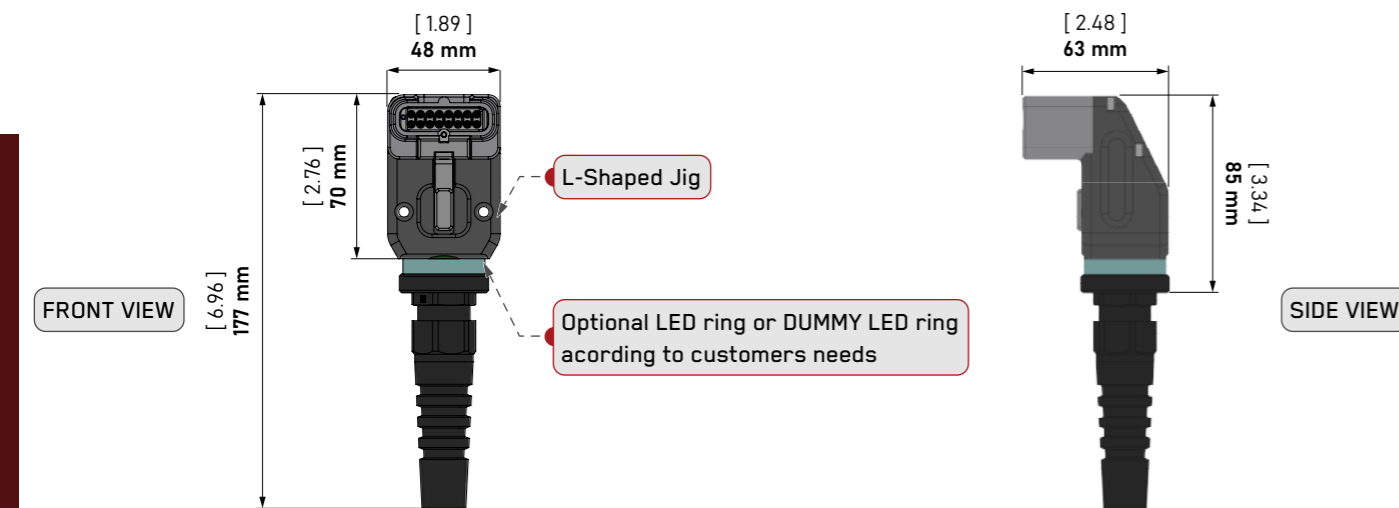
**Streamlining Hirschmann Connector Testing:
HIRSCHMANN805-588-JIG - LS - LR**

The HIRSCHMANN805-588 - JIG - LS - LR is a precision L-shaped hand operated Test Jig for Hirschmann connectors. Its ergonomic, space-saving design is perfect for R&D labs, inspection, or low-volume production.

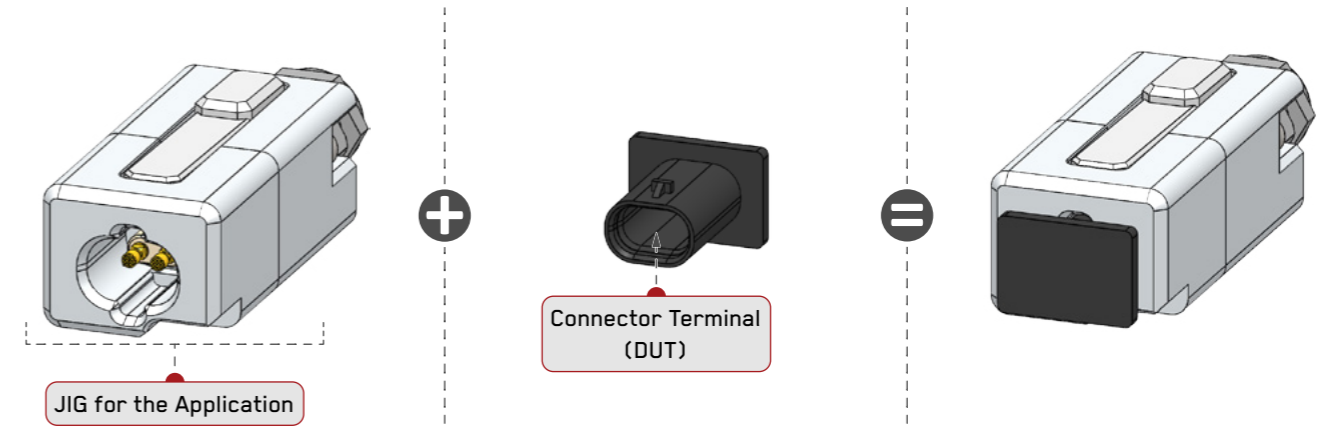
It includes a threaded Equip-Test contact pin TT1000 CG06 N, rated 5A for stable electrical connections, and a switch probe SWT1005 IW93 S for accurate status detection and reliable results.

An integrated LED ring provides clear visual feedback during testing, reducing errors.

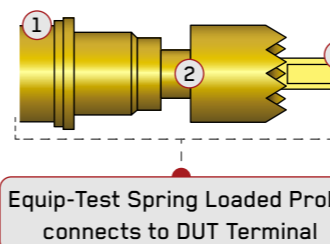
A built-in cable gland ensures clean cable routing and strain relief, enhancing durability.



DUT Number	805-588	General Information
DUT Manufacturer	Hirschmann	Jig Type: Hand Operated Test Jig
Receptacle(s) + Test Probe(s)	RCT067 SR04 + TT1000 CG06 N (5A)	Shape Design: L-Shaped design
	RCT085 QE05 + SWT1008 IW93 S (3A)	Optional Configuration: Optional LED ring or DUMMY Led ring
Cable Gland Size	M20 x 1.5	



EXPLANATORY FIGURE VIEW



1	2	3
Receptacle (Socket)	Test Probe	Terminal Nr.
RCT079 SR04	HTT1003 CG03 N	872-975

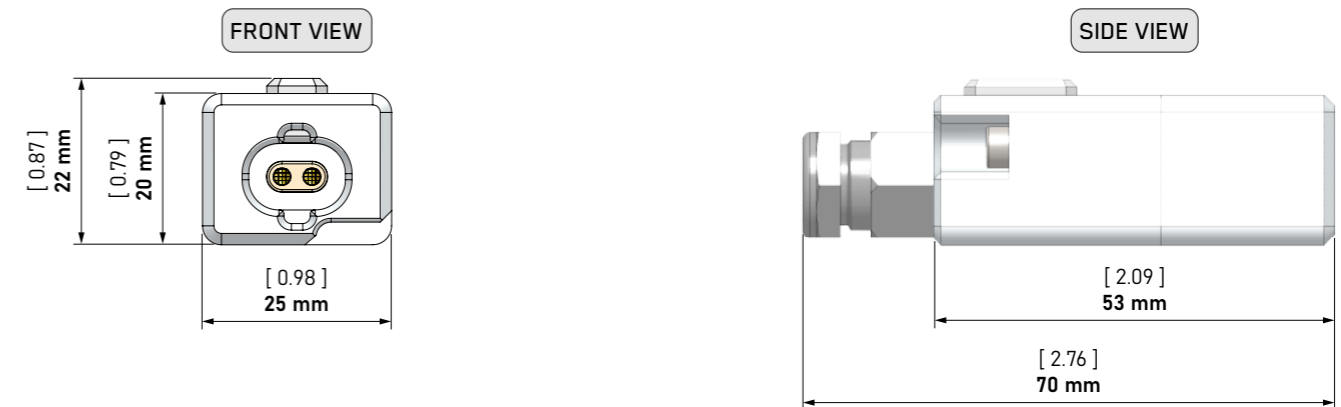
Tools for RCT079 SR04	
Insertion Bit / Handle TBR10036 / TH1	Extraction Bit / Handle TBR10071 / TH2
Tools for HTT1003 CG03 N	
Insertion Bit / Handle TBT10078 / TH3	Extraction Bit / Handle TBT10078 / TH3

**Streamlining Hirschmann Connector Testing:
HIRSCHMANN872-975 - JIG**

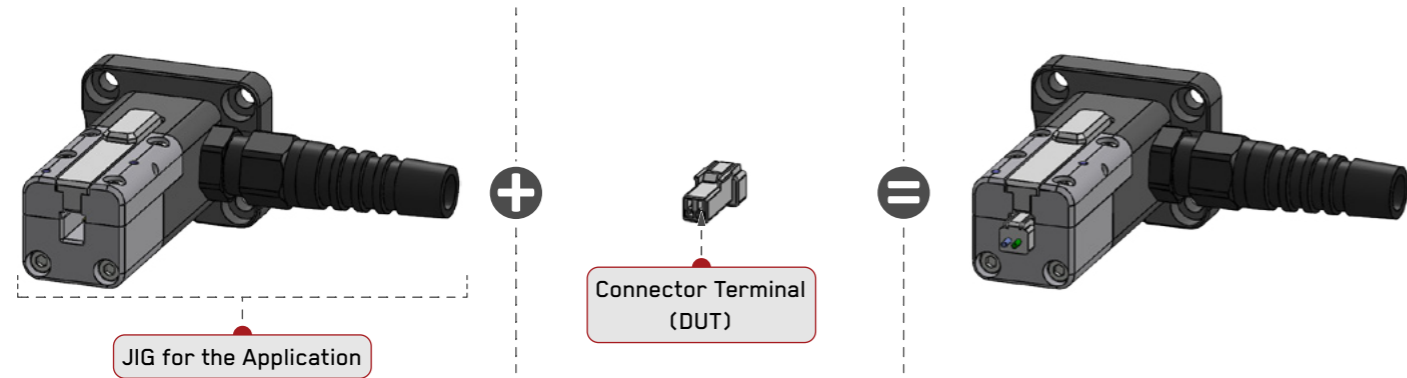
The HIRSCHMANN872-975 - JIG is a durable, hand operated Test Jig engineered specifically for testing Hirschmann connectors in demanding environments. Built to perform where standard probes fail, this Jig is equipped with Equip-Test high-temperature threaded test probes HTT1003 CG03 N, rated for up to 5A.

Designed for applications where elevated temperatures and rugged conditions are part of daily operations, the HIRSCHMANN872-975 - JIG ensures reliable electrical performance without compromise.

An integrated cable gland provides clean, secure cable management and strain relief, supporting long-term durability in industrial settings.



DUT Number	872-975	General Information
DUT Manufacturer	Hirschmann	Jig Type: Hand Operated Test Jig
Receptacle(s) + Test Probe(s)	RCT079 SR04 + HTT1003 CG03 N (5A)	
Cable Gland Size	M10 x 1.0	



EXPLANATORY FIGURE VIEW



Equip-Test Spring Loaded Probe connects to DUT Terminal

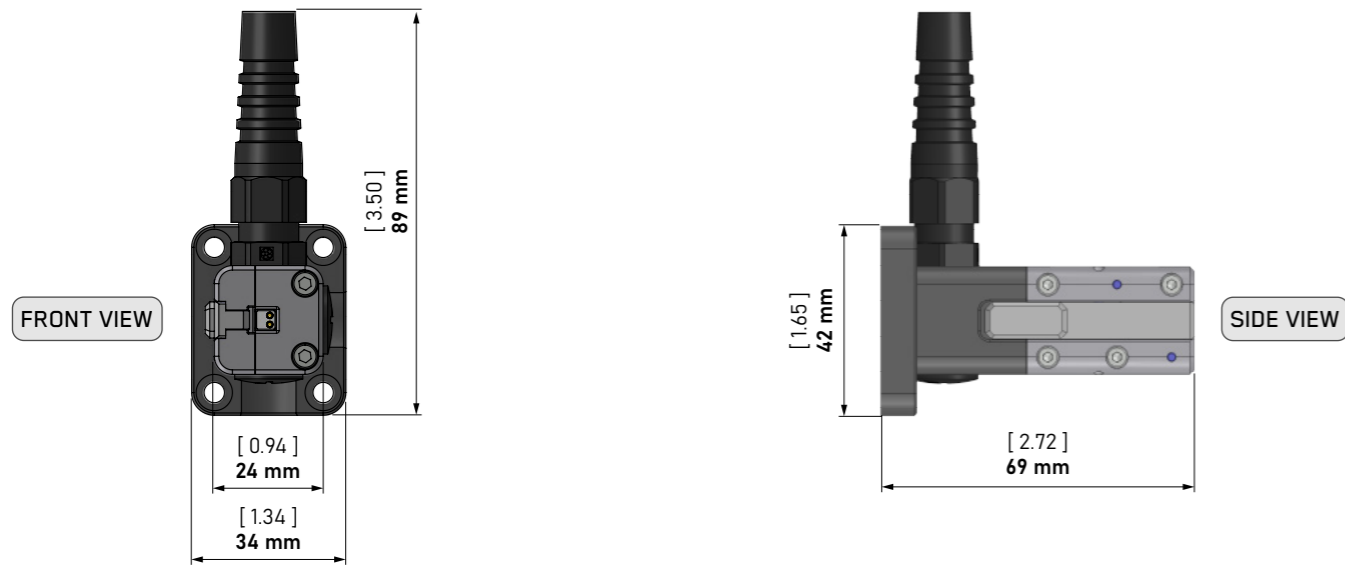
1	2	3
Receptacle (Socket)	Test Probe	Terminal Nr.
RCT052 SR03	TT750 RA04 S	JST-02R

Tools for RCT052 SR03	
Insertion Bit / Handle TBR7535 / TH1	Extraction Bit / Handle TBR7570 / TH2
Tools for TT750 RA04 S	
Insertion Bit / Handle TBT7571 / TH3	Extraction Bit / Handle TBT7571 / TH3

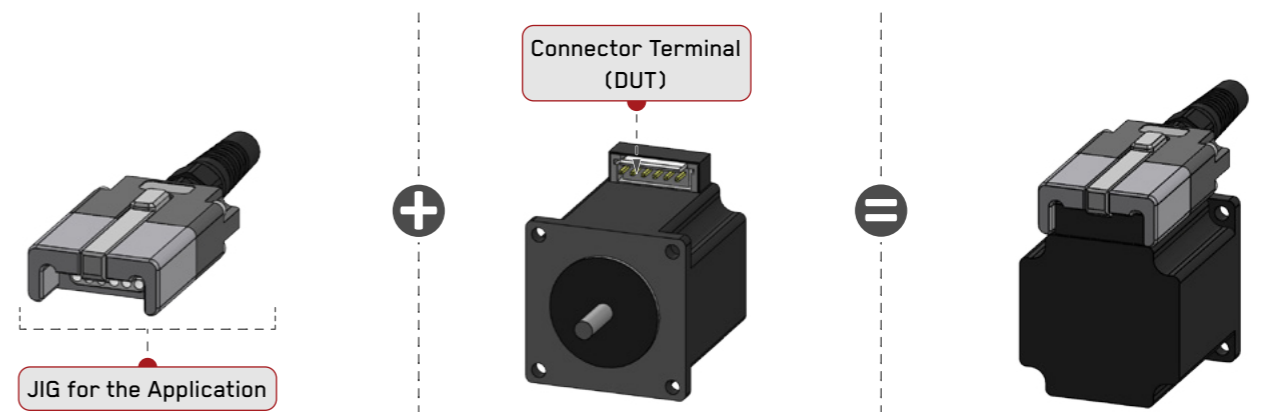
**Streamlining JST Connector Testing:
JST-02R - JIG**

The JST-02R is a robust, mountable Test Jig designed specifically for testing J.S.T. Mfg. Co. connectors with speed and precision. Built for durability and ease of use, it is the ideal choice for production environments, quality assurance, or R&D testing stations.

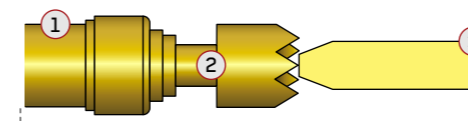
Equipped with a threaded Equip-Test contact Test Probe TT750 RA04 S, rated for up to 3A, the JST-02R ensures stable and reliable electrical connections for consistent test results. A built-in cable gland provides secure cable routing and strain relief, ensuring a tidy, long-lasting setup that meets the demands of industrial use.



DUT Number	JST-02R	General Information
DUT Manufacturer	J.S.T. Mfg. Co.	Jig Type: Mountable Test Jig
Receptacle(s) + Test Probe(s)	RCT052 SR03 + TT750 RA04 S (3A)	
Cable Gland Size	M12 x 1.5	



EXPLANATORY FIGURE VIEW



Equip-Test Spring Loaded Probe connects to DUT Terminal

1	2	3
Receptacle (Socket)	Test Probe	Terminal Nr.
RCT079 SR04	TT1003 CG03 N	B6P-VH

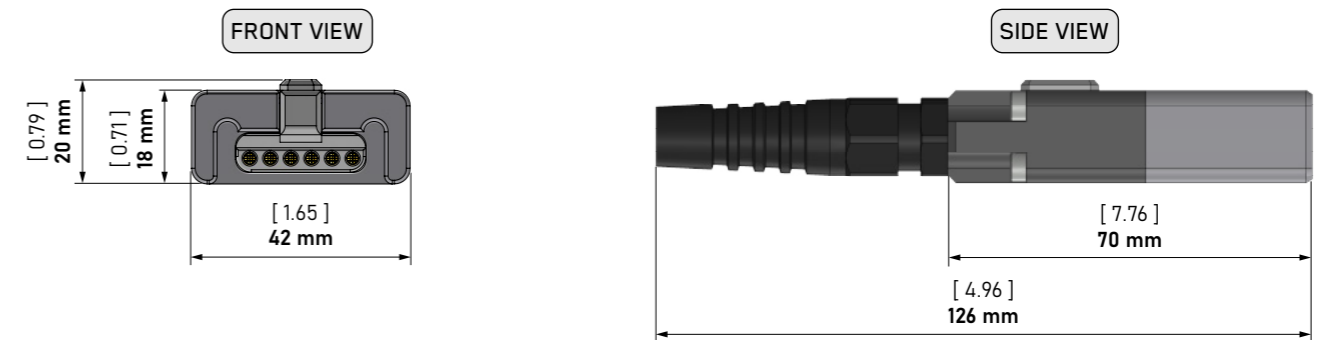
Tools for RCT079 SR04	
Insertion Bit / Handle TBR10036 / TH1	Extraction Bit / Handle TBR10071 / TH2
Tools for TT1003 CG03 N	
Insertion Bit / Handle TBT10078 / TH3	Extraction Bit / Handle TBT10078 / TH3

**Streamlining JST Connector Testing:
JSTB6P-VH - JIG**

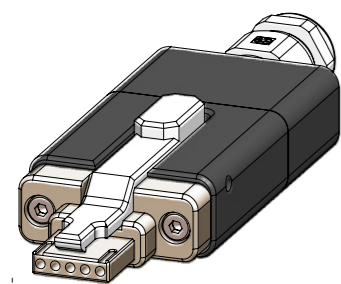
The JSTB6P-VH - JIG is a hand operated Test Jig designed specifically for J.S.T. Mfg. Co. connectors, offering a practical and reliable solution for precise connector testing. Built to connect directly to a motor interface, it is perfect for applications where motor-driven components require secure and repeatable electrical testing.

This Jig features a threaded Equip-Test contact Test Probe TT1003 CG03 N, rated for up to 5A, ensuring stable and high-quality electrical performance during testing.

An integrated cable gland provides proper cable routing and strain relief, enhancing durability and keeping the testing area clean and organized.



DUT Number	B6P-VH	General Information
DUT Manufacturer	J.S.T. Mfg. Co.	Jig Type: Hand Operated Test Jig
Receptacle(s) + Test Probe(s)	RCT079 SR04 + TT1003 CG03 N (5A)	
Cable Gland Size	M12 x 1.5	

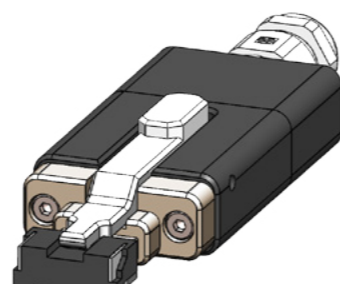


+



Connector Terminal (DUT)

=



JIG for the Application

EXPLANATORY FIGURE VIEW



Equip-Test Spring Loaded Probe connects to DUT Terminal

Streamlining JST Connector Testing: JSTBM05B-PASS-TF - JIG

The JSTBM05B-PASS-TF - JIG is a hand operated Test Jig purpose-built for J.S.T. Mfg. Co. connectors, providing a simple yet reliable solution for precise connector testing in labs, quality control stations, or low-volume production environments. This Jig features a PEEK material probe cap for enhanced thermal and mechanical resistance.

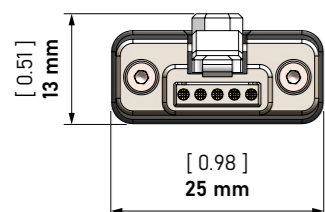
Equipped with a threaded Equip-Test contact Test Probe TT750 CG03 XL, rated for up to 3A, this Jig delivers secure and consistent electrical connections for dependable test results.

A built-in cable gland ensures organized cable routing and strain relief, improving both durability and operator convenience.

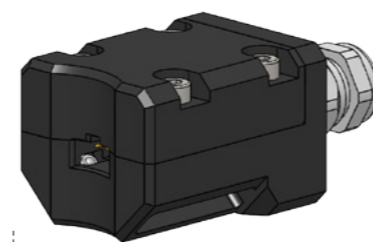
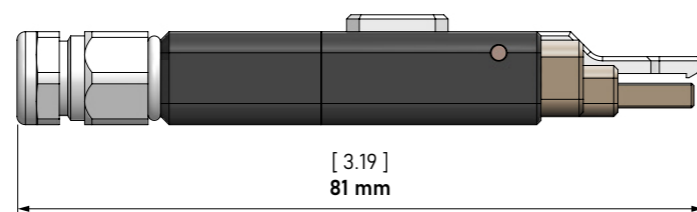
1	2	3
Receptacle (Socket)	Test Probe	Terminal Nr.
RCT052 SR03	TT750 CG03 XL	BM05B-PASS-TF

Tools for RCT052 SR03	
Insertion Bit / Handle TBR7535 / TH1	Extraction Bit / Handle TBR7570 / TH2
Tools for TT750 CG03 XL	
Insertion Bit / Handle TBT7571 / TH3	Extraction Bit / Handle TBT7571 / TH3

FRONT VIEW



SIDE VIEW

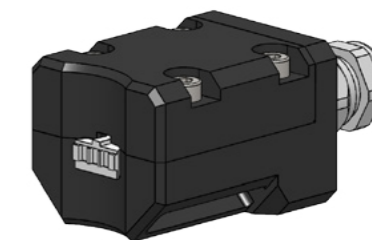


+



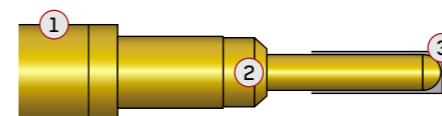
Connector Terminal (DUT)

=



JIG for the Application

EXPLANATORY FIGURE VIEW



Equip-Test Spring Loaded Probe connects to DUT Terminal

Streamlining JST Connector Testing: JSTPHR-3 - JIG

The JSTPHR-3 - JIG is a hand operated Test Jig engineered for precise testing of J.S.T. Mfg. Co. connectors, combining robust design with reliable performance. Perfect for laboratory use, quality control processes, or small-batch production, it provides durability and accuracy where it matters most.

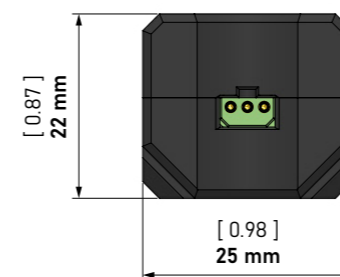
Fitted with a threaded Equip-Test contact Test Probe TT751 RA03 N, rated for up to 3A, the Jig ensures secure, consistent electrical connections for dependable testing.

An integrated cable gland provides organized cable routing and strain relief, making the setup safer, cleaner, and more durable for long-term use.

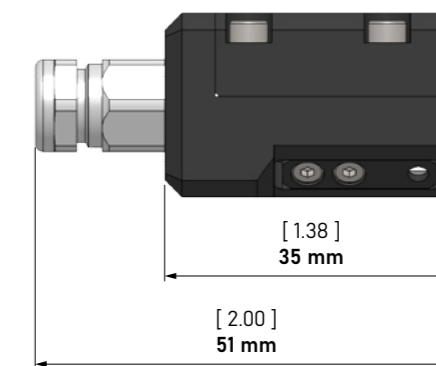
1	2	3
Receptacle (Socket)	Test Probe	Terminal Nr.
RCT049 SR03	TT751 RA03 N	PHR-3

Tools for RCT049 SR03	
Insertion Bit / Handle TBR7535 / TH1	Extraction Bit / Handle TBR7570 / TH2
Tools for TT751 RA03 N	
Insertion Bit / Handle TBT7570 / TH3	Extraction Bit / Handle TBT7570 / TH3

FRONT VIEW

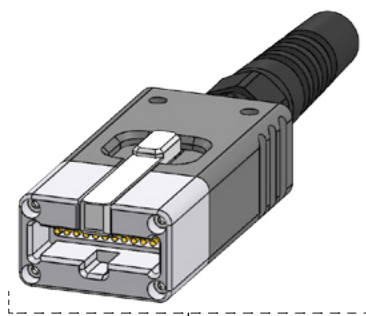


SIDE VIEW

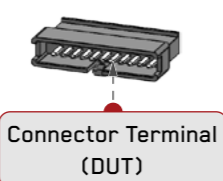


DUT Number	BM05B-PASS-TF	General Information
DUT Manufacturer	J.S.T. Mfg. Co.	Jig Type: Hand Operated Test Jig
Receptacle(s) + Test Probe(s)	RCT052 SR03 + TT750 CG03 XL (3A)	
Cable Gland Size	M8 x 1.0	

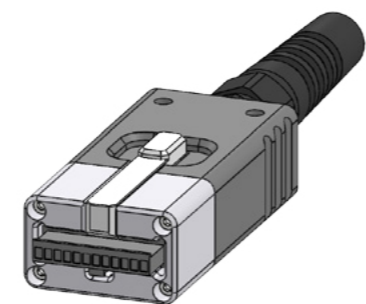
DUT Number	PHR-3	General Information
DUT Manufacturer	J.S.T. Mfg. Co.	Jig Type: Hand Operated Test Jig
Receptacle(s) + Test Probe(s)	RCT049 SR03 + TT751 RA03 N (3A)	
Cable Gland Size	M8 x 1.0	



JIG for the Application



Connector Terminal (DUT)



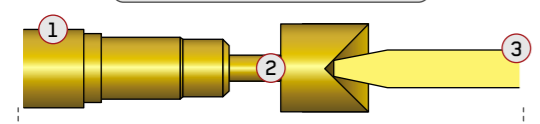
**Streamlining JST Connector Testing:
JSTSMR-12V-B - JIG**

The JSTSMR-12V-B - JIG is a hand operated Test Jig designed specifically for J.S.T. Mfg. Co. connectors, offering a reliable and practical solution for low-voltage applications. Built for 12V operation, it is ideal for laboratory testing, quality control processes, and small-scale production environments.

This Jig features a threaded Equip-Test contact Test Probe TT751 TA03 N, rated for up to 3A, ensuring secure and consistent electrical connections. Additionally, an Equip-Test switch Test Probe SWT1005 IW93 M provides precise detection and reliable feedback during the testing process.

The integrated cable gland ensures clean cable routing and effective strain relief, making the setup safer and more durable for continuous use.

EXPLANATORY FIGURE VIEW

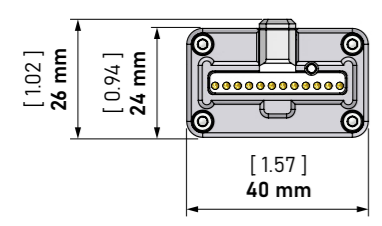


Equip-Test Spring Loaded Probe connects to DUT Terminal

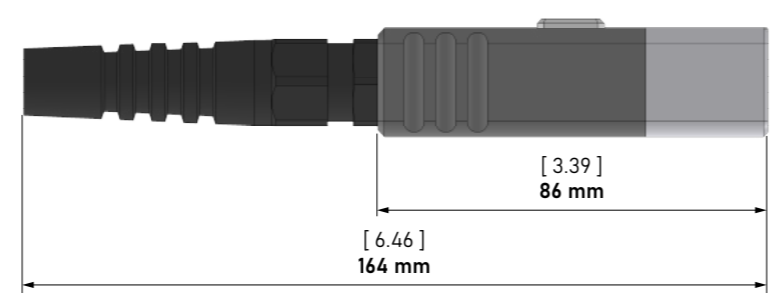
1	2	3
Receptacle (Socket)	Test Probe	Terminal Nr.
RCT049 SR03	TT751 TA03 N	SMR-12V-B

Tools for RCT049 SR03		Tools for RCT079 QE03	
Insertion Bit / Handle TBR7535 / TH1	Extraction Bit / Handle TBR7570 / TH2	Insertion Bit / Handle TBR10036 / TH1	Extraction Bit / Handle TBR10071 / TH2
Tools for TT751 TA03 N		Tools for SWT1005 IW93 M	
Insertion Bit / Handle TBT7570 / TH3	Extraction Bit / Handle TBT7570 / TH3	Insertion Bit / Handle TBT10079 / TH3	Extraction Bit / Handle TBT10079 / TH3

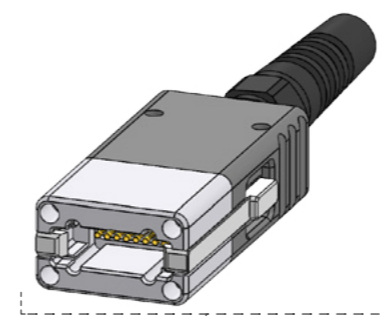
FRONT VIEW



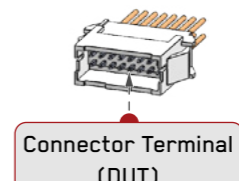
SIDE VIEW



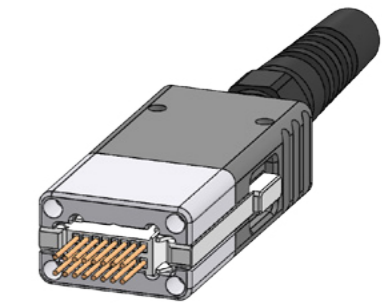
DUT Number	SMR-12V-B	General Information
DUT Manufacturer	J.S.T. Mfg. Co.	
Receptacle(s) + Test Probe(s)	RCT049 SR03 + TT751 TA03 N (3A) RCT079 QE03 + SWT1005 IW93 M (3A)	
Cable Gland Size	M20 x 1.5	
		Jig Type: Hand Operated Test Jig



JIG for the Application



Connector Terminal (DUT)



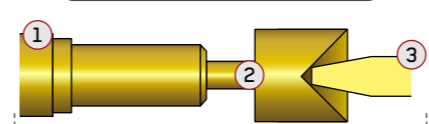
**Streamlining JST Connector Testing:
JSTXADR-16V - JIG**

The JSTXADR-16V - JIG is a hand operated Test Jig purpose-built for J.S.T. Mfg. Co. connectors, providing a reliable and precise solution for low-voltage connector testing. Designed for 16V operation, it is ideal for laboratory use, quality assurance tasks, and small-scale production environments where accuracy and safety are critical.

Equipped with a threaded Equip-Test contact Test Probe TT751 TA03 N, rated for up to 3A, this Jig ensures stable, high-quality electrical connections. It also integrates an Equip-Test switch probe SWT1005 IW93 M for precise detection and reliable feedback during testing.

A built-in cable gland delivers secure cable routing and strain relief, ensuring a safe, organized, and long-lasting test setup.

EXPLANATORY FIGURE VIEW

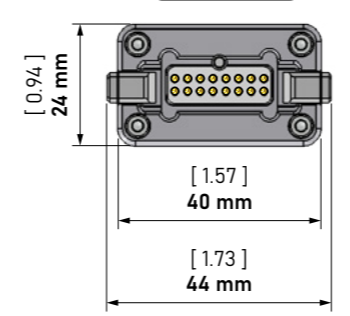


Equip-Test Spring Loaded Probe connects to DUT Terminal

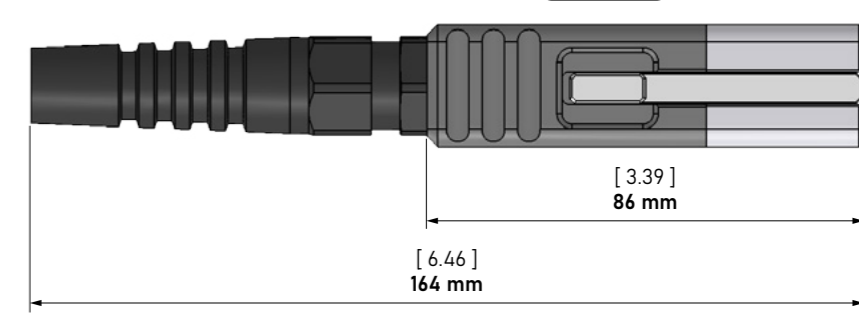
1	2	3
Receptacle (Socket)	Test Probe	Terminal Nr.
RCT049 SR03	TT751 TA03 N	XADR-16V

Tools for RCT049 SR03		Tools for RCT079 QE03	
Insertion Bit / Handle TBR7535 / TH1	Extraction Bit / Handle TBR7570 / TH2	Insertion Bit / Handle TBR10036 / TH1	Extraction Bit / Handle TBR10071 / TH2
Tools for TT751 TA03 N		Tools for SWT1005 IW93 M	
Insertion Bit / Handle TBT7570 / TH3	Extraction Bit / Handle TBT7570 / TH3	Insertion Bit / Handle TBT10079 / TH3	Extraction Bit / Handle TBT10079 / TH3

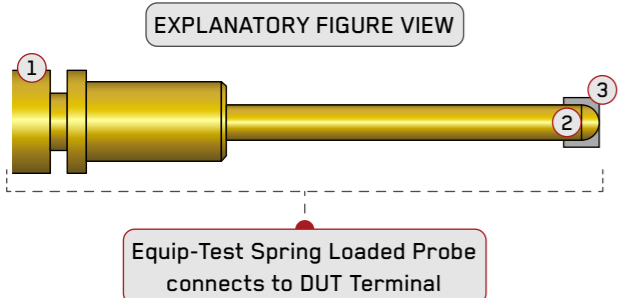
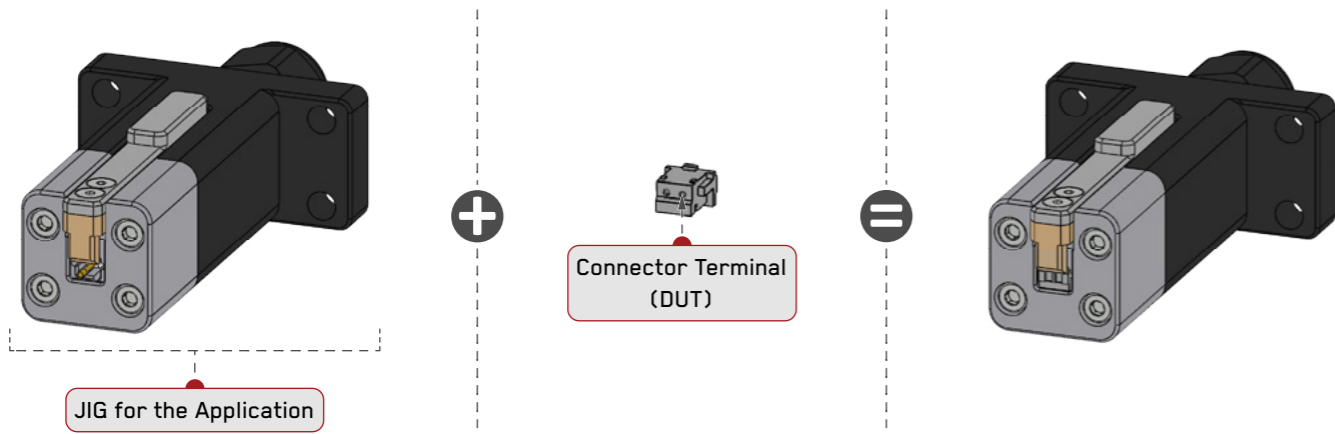
FRONT VIEW



SIDE VIEW



DUT Number	XADR-16V	General Information
DUT Manufacturer	J.S.T. Mfg. Co.	
Receptacle(s) + Test Probe(s)	RCT049 SR03 + TT751 TA03 N (3A) RCT079 QE03 + SWT1005 IW93 M (3A)	
Cable Gland Size	M16 x 1.5	
		Jig Type: Hand Operated Test Jig



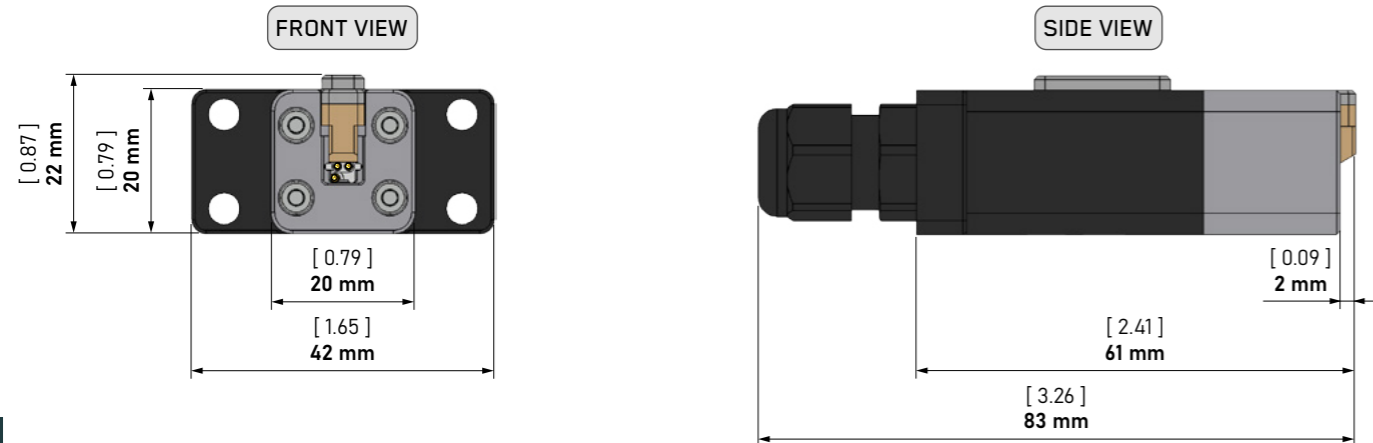
**Streamlining JST Connector Testing:
JSTZHR-2 - JIG**

The JSTZHR-2 - JIG is a robust, mountable Test Jig designed specifically for testing J.S.T. Mfg. Co. connectors with precision and efficiency. Engineered for easy integration into your testing setup, it ensures stable and repeatable results in quality control, production, or R&D environments. Equipped with a threaded Equip-Test Test Probe TT502 RA02 N rated for up to 3A, this Jig delivers consistent electrical contact under a variety of test conditions. The Equip-Test switch probe SWT750 FA03 M provides accurate detection and reliable feedback throughout the testing cycle.

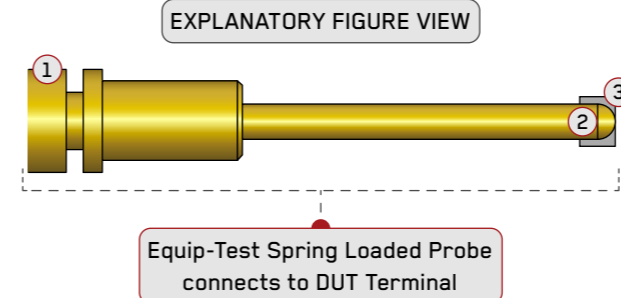
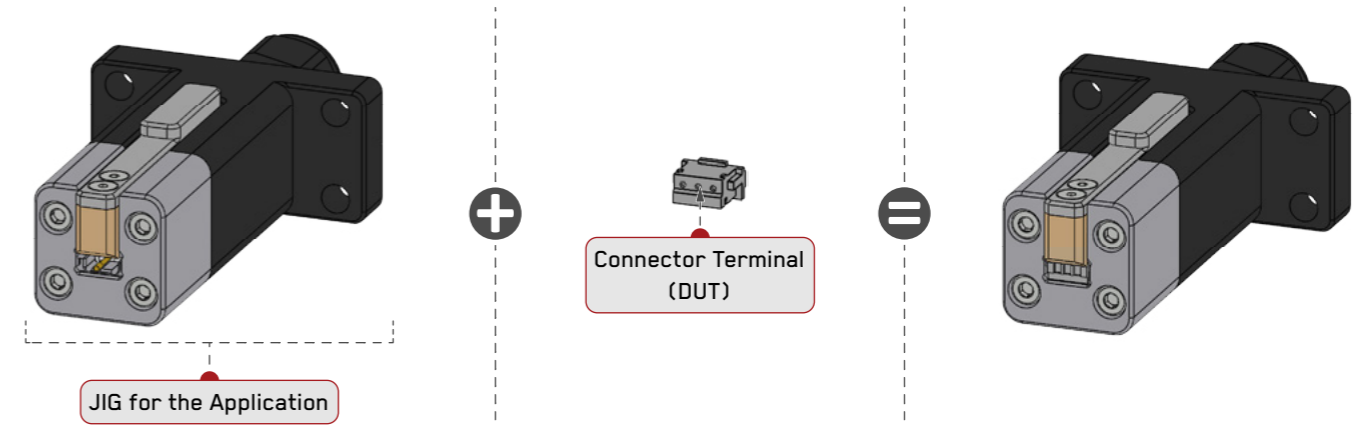
A built-in cable gland offers professional cable management and strain relief, keeping your workspace organized and safe.

1	2	3
Receptacle (Socket)	Test Probe	Terminal Nr.
RCT039 SR03	TT502 RA02 N	ZHR-2

Tools for RCT039 SR03		Tools for RCT052 QR03	
Insertion Bit / Handle TBR5035 / TH1	Extraction Bit / Handle TBR5070 / TH2	Insertion Bit / Handle TBR7535 / TH1	Extraction Bit / Handle TBR7570 / TH2
Tools for TT502 RA02 N		Tools for SWT750 FA03 M	
Insertion Bit / Handle TBT5071 / TH3	Extraction Bit / Handle TBT5071 / TH3	Insertion Bit / Handle TBT7570 / TH3	Extraction Bit / Handle TBT7571 / TH3



DUT Number	ZHR-2	General Information
DUT Manufacturer	J.S.T. Mfg. Co.	
Receptacle(s) + Test Probe(s)	RCT039 SR03 + TT502 RA02 N (3A) RCT052 QR03 + SWT750 FA03 M (4A)	
Cable Gland Size	M12 x 1.5	
		Jig Type: Mountable Test Jig



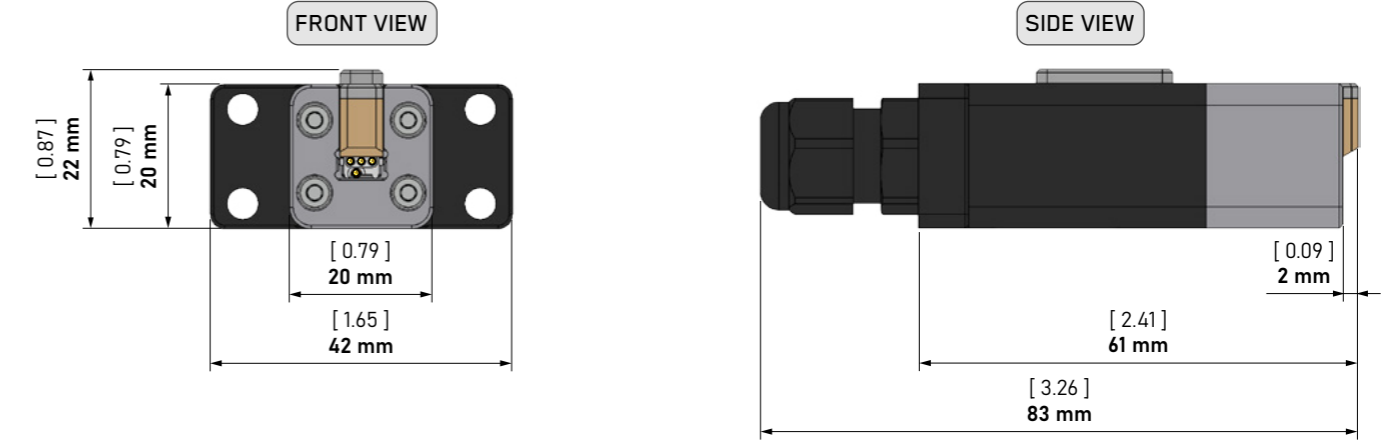
**Streamlining JST Connector Testing:
JSTZHR-3 - JIG**

The JSTZHR-3 - JIG is a sturdy, installable Test Jig crafted to accurately and efficiently test J.S.T. Mfg. Co. connectors. Designed for seamless integration into existing testing setups, it guarantees consistent and reliable results across production lines, quality inspections, or R&D labs. This Jig includes a threaded Equip-Test Test Probe TT502 RA02 N rated to hand operated up to 3A, ensuring dependable electrical connections during every test cycle. The Equip-Test switch probe SWT750 FA03 M offers precise signal detection and dependable status feedback.

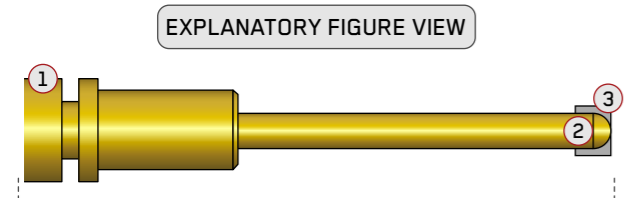
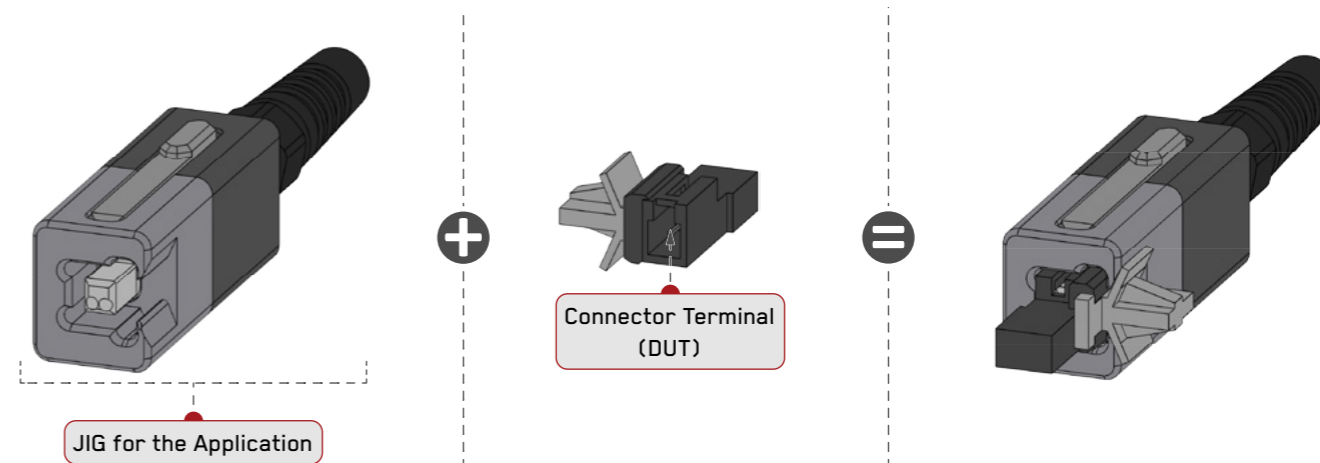
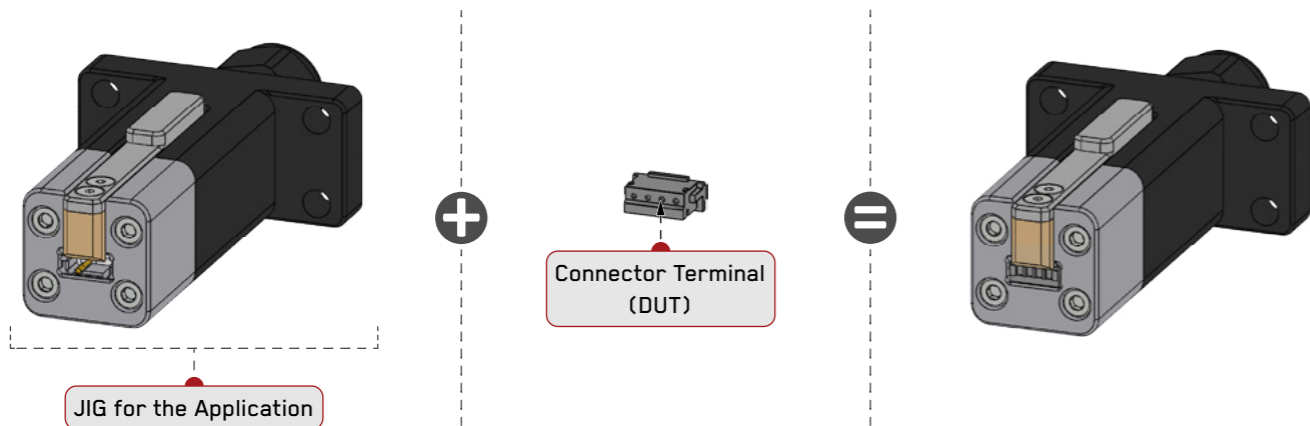
Featuring a built-in cable gland, it provides secure cable management and strain relief, helping maintain an organized and safe workspace.

1	2	3
Receptacle (Socket)	Test Probe	Terminal Nr.
RCT039 SR03	TT502 RA02 N	ZHR-3

Tools for RCT039 SR03		Tools for RCT052 QR03	
Insertion Bit / Handle TBR5035 / TH1	Extraction Bit / Handle TBR5070 / TH2	Insertion Bit / Handle TBR7535 / TH1	Extraction Bit / Handle TBR7570 / TH2
Tools for TT502 RA02 N		Tools for SWT750 FA03 M	
Insertion Bit / Handle TBT5071 / TH3	Extraction Bit / Handle TBT5071 / TH3	Insertion Bit / Handle TBT7570 / TH3	Extraction Bit / Handle TBT7571 / TH3



DUT Number	ZHR-3	General Information
DUT Manufacturer	J.S.T. Mfg. Co.	
Receptacle(s) + Test Probe(s)	RCT039 SR03 + TT502 RA02 N (3A) RCT052 QR03 + SWT750 FA03 M (4A)	
Cable Gland Size	M12 x 1.5	
		Jig Type: Mountable Test Jig



Equip-Test Spring Loaded Probe connects to DUT Terminal

1	2	3
Receptacle (Socket)	Test Probe	Terminal Nr.
RCT039 SR03	TT502 RA02 N	ZHR-4

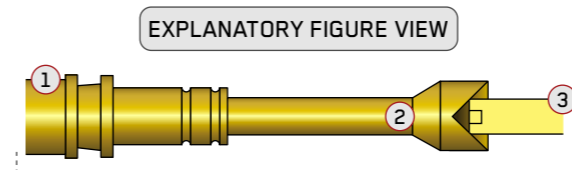
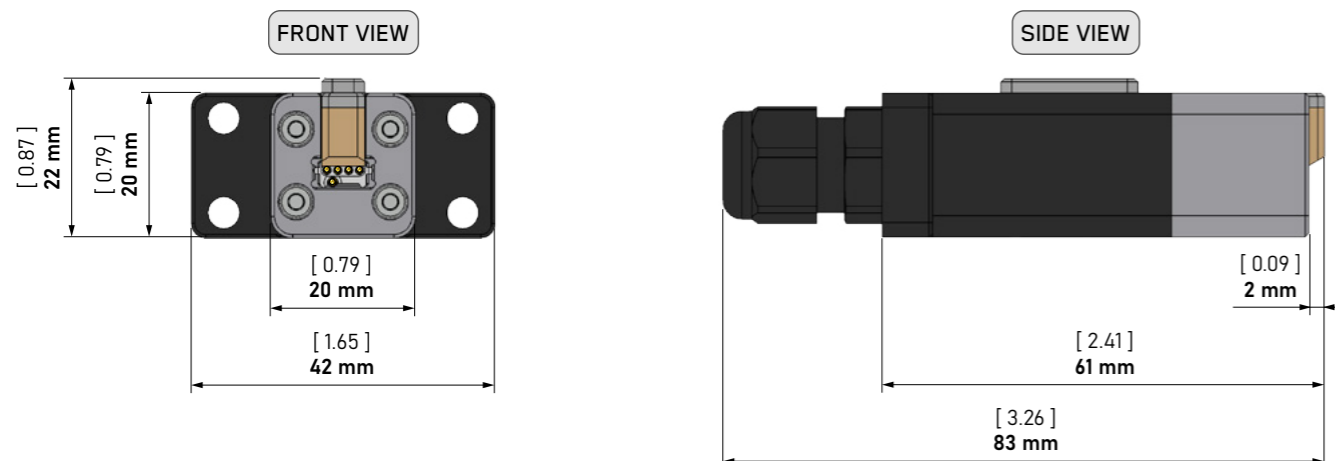
Tools for RCT039 SR03		Tools for RCT052 QR03	
Insertion Bit / Handle TBR5035 / TH1	Extraction Bit / Handle TBR5070 / TH2	Insertion Bit / Handle TBR7535 / TH1	Extraction Bit / Handle TBR7570 / TH2
Tools for TT502 RA02 N		Tools for SWT750 FA03 M	
Insertion Bit / Handle TBT5071 / TH3	Extraction Bit / Handle TBT5071 / TH3	Insertion Bit / Handle TBT7570 / TH3	Extraction Bit / Handle TBT7571 / TH3

**Streamlining JST Connector Testing:
JSTZHR-4 - JIG**

The JSTZHR-4 - JIG is a durable, mountable Test Jig designed to provide precise and efficient testing for J.S.T. Mfg. Co. connectors. Built to fit seamlessly into your test environment, it delivers consistent and trustworthy results for manufacturing, quality assurance, or research applications.

Equipped with a threaded Equip-Test Test Probe TT502 RA02 N rated for up to 3A, this Jig ensures solid electrical contact throughout testing. The Equip-Test switch probe SWT750 FA03 M guarantees accurate signal detection and reliable operational feedback.

An integrated cable gland offers organized cable management and strain relief, promoting a safe and tidy workspace.



Equip-Test Spring Loaded Probe connects to DUT Terminal

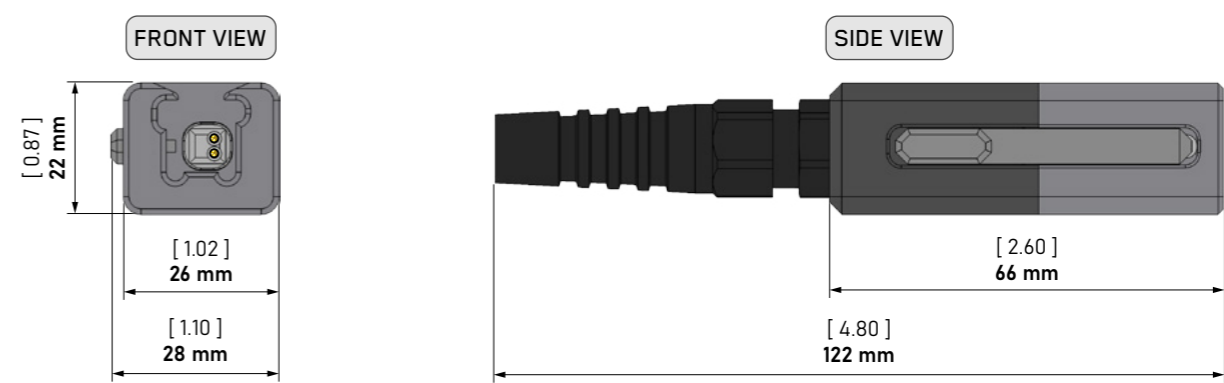
1	2	3
Receptacle (Socket)	Test Probe	Terminal Nr.
RCT052 SR03	TT750 TA03 N	MG642984

Tools for RCT052 SR03	
Insertion Bit / Handle TBR7535 / TH1	Extraction Bit / Handle TBR7570 / TH2
Tools for TT750 TA03 N	
Insertion Bit / Handle TBT7570 / TH3	Extraction Bit / Handle TBT7570 / TH3

**Streamlining KET Connector Testing:
KETMG642984 - JIG**

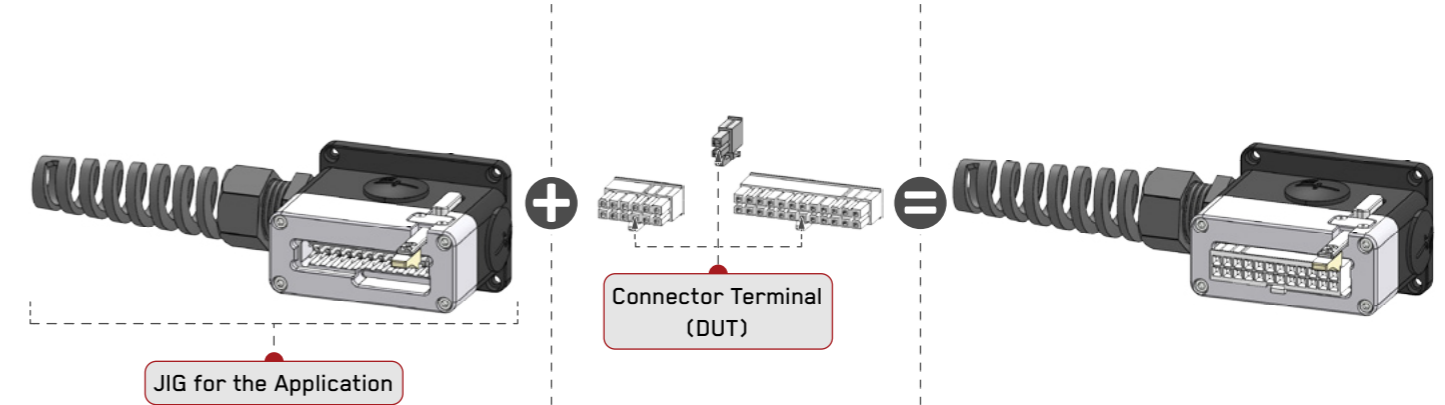
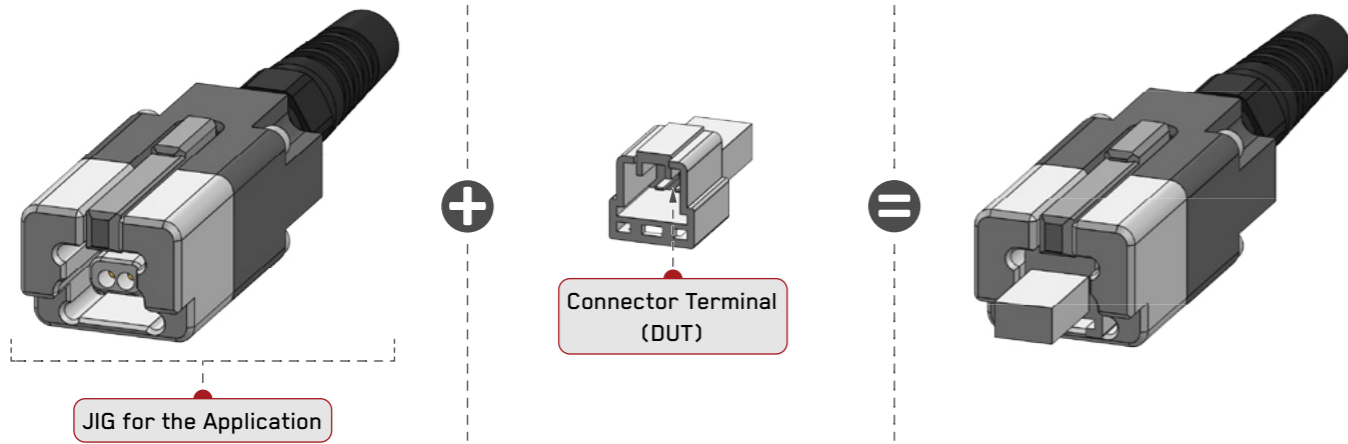
The KETMG642984 - JIG is a hand operated Test Jig designed specifically for KET Co. connectors, offering a dependable and easy-to-use solution for precise connector testing. Perfect for laboratories, quality control stations, or small-scale production environments, it combines reliability with user-friendly operation.

Equipped with a threaded Equip-Test contact Test Probe TT750 TA03 N rated for up to 3A, this Jig ensures secure and consistent electrical connections during every test cycle. A built-in cable gland provides safe and organized cable routing with effective strain relief, improving durability and maintaining a clean, professional setup.



DUT Number	ZHR-4	General Information
DUT Manufacturer	J.S.T. Mfg. Co.	Jig Type: Mountable Test Jig
Receptacle(s) + Test Probe(s)	RCT039 SR03 + TT502 RA02 N (3A) RCT052 QR03 + SWT750 FA03 M (4A)	
Cable Gland Size	M12 x 1.5	

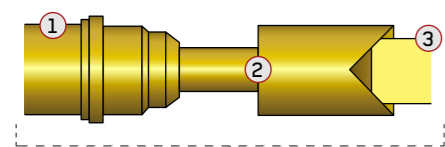
DUT Number	MG642984	General Information
DUT Manufacturer	KET co.	Jig Type: Hand Operated Test Jig
Receptacle(s) + Test Probe(s)	RCT052 SR03 + TT750 TA03 N (3A)	
Cable Gland Size	M12 x 1.5	



EXPLANATORY FIGURE VIEW

Streamlining KET Connector Testing: KETMG645590 - JIG

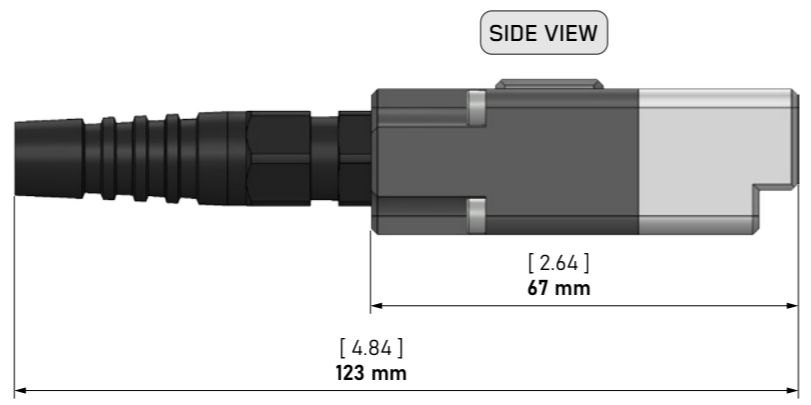
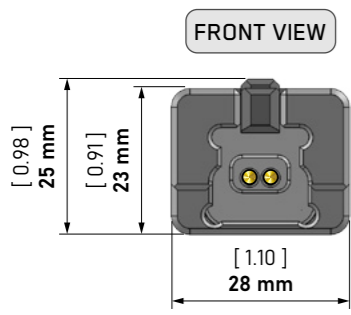
The KETMG645590 - JIG is a hand operated Test Jig engineered for KET Co. connectors, delivering dependable and accurate testing for a wide range of applications. Ideal for use in laboratories, inspection setups, or low-volume production, it combines practicality with long-lasting performance. This Jig is equipped with a threaded Equip-Test contact Test Probe TT1005 TA05 MX, rated for up to 5A, ensuring strong, reliable electrical connections even under demanding conditions. For added safety and organization, an integrated cable gland secures cable routing and provides effective strain relief, keeping your workspace neat and functional.



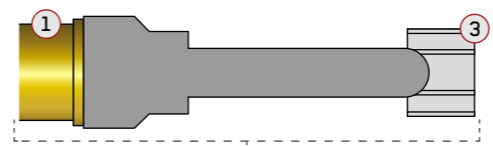
Equip-Test Spring Loaded Probe connects to DUT Terminal

1 Receptacle (Socket)	2 Test Probe	3 Terminal Nr.
RCT079 SR08	TT1005 TA05 MX	MG645590

Tools for RCT079 SR08	
Insertion Bit / Handle TBR10036 / TH1	Extraction Bit / Handle TBR10071 / TH2
Tools for TT1005 TA05 MX	
Insertion Bit / Handle TBT10079 / TH3	Extraction Bit / Handle TBT10079 / TH3



EXPLANATORY FIGURE VIEW

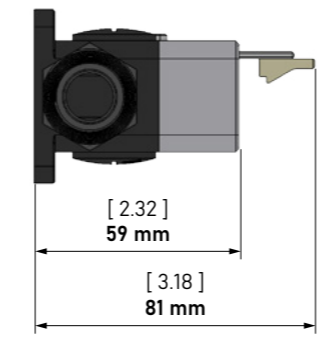


Equip-Test Receptacle connects to DUT Terminal

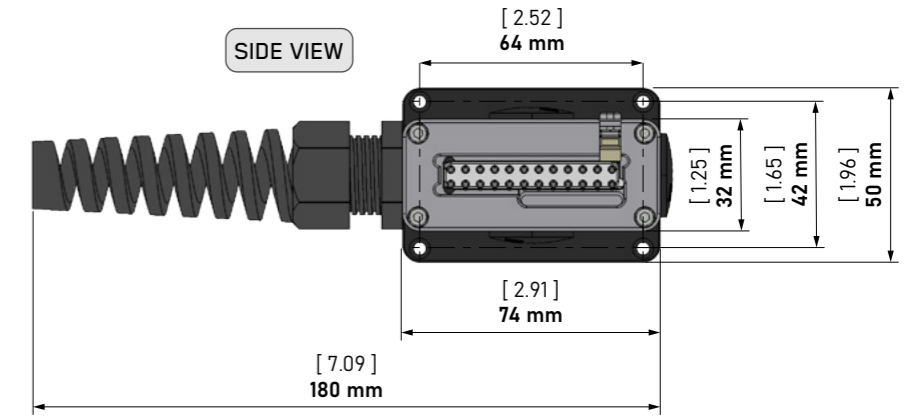
1 Receptacle (Socket)	Test Probe	3 Terminal Nr.
RCT079 SR04	Without Probe	039012040-039012240

Tools for RCT079 SR04	
Insertion Bit / Handle TBR10036 / TH1	Extraction Bit / Handle TBR10071 / TH2

FRONT VIEW



SIDE VIEW

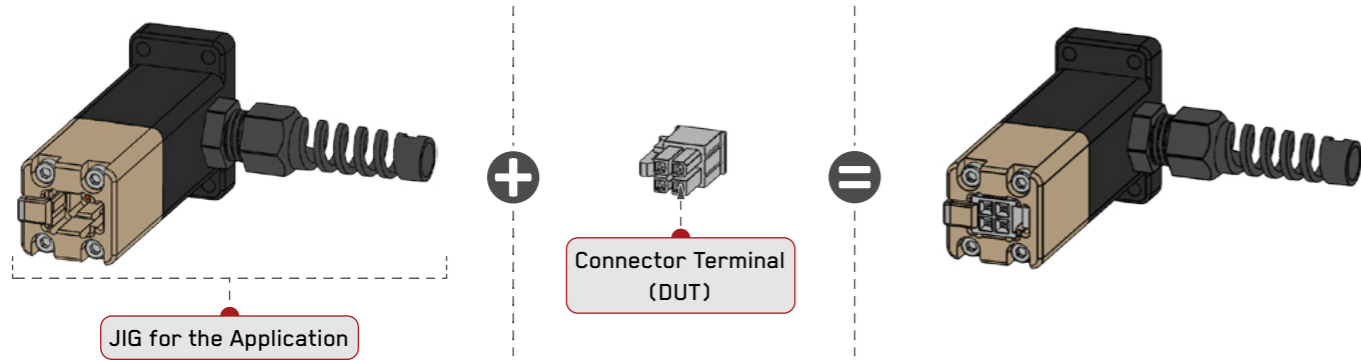


Streamlining Molex Connector Testing: MOLEX039012040-039012240 - JIG

The MOLEX039012040-039012240 - JIG is a durable, mountable Test Jig designed specifically for Molex connectors. Engineered for stability and ease of use, it is an excellent choice for production lines, quality inspection areas, and development environments requiring precise and repeatable testing. This Jig has been designed without test probes, ensuring direct connector interfacing for simplified and streamlined testing procedures. An integrated cable gland offers secure cable routing and effective strain relief, keeping the setup organized and reliable for long-term use.

DUT Number	MG645590	General Information
DUT Manufacturer	KET co.	
Receptacle(s) + Test Probe(s)	RCT079 SR08 + TT1005 TA05 MX (5A)	Jig Type: Hand Operated Test Jig
Cable Gland Size	M12 x 1.5	

DUT Number	039012040-039012240	General Information
DUT Manufacturer	Molex	
Receptacle(s)	RCT079 SR04	Jig Type: Mountable Test Jig
Cable Gland Size	M20	

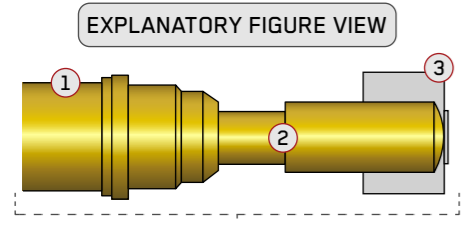


**Streamlining Molex Connector Testing:
MOLEX03901-2040 - JIG**

The MOLEX03901-2040 - JIG is a mountable Test Jig, engineered for accurate and efficient testing of Molex connectors. Designed for stability and ease of integration, it is an ideal solution for production lines, quality assurance, or laboratory environments.

This Jig features a PEEK material nest for enhanced thermal and mechanical resistance. Fitted with a threaded Equip-Test contact Test Probe TT1005 RA08 M, rated for up to 5A, this Jig ensures strong and consistent electrical connections during every test cycle.

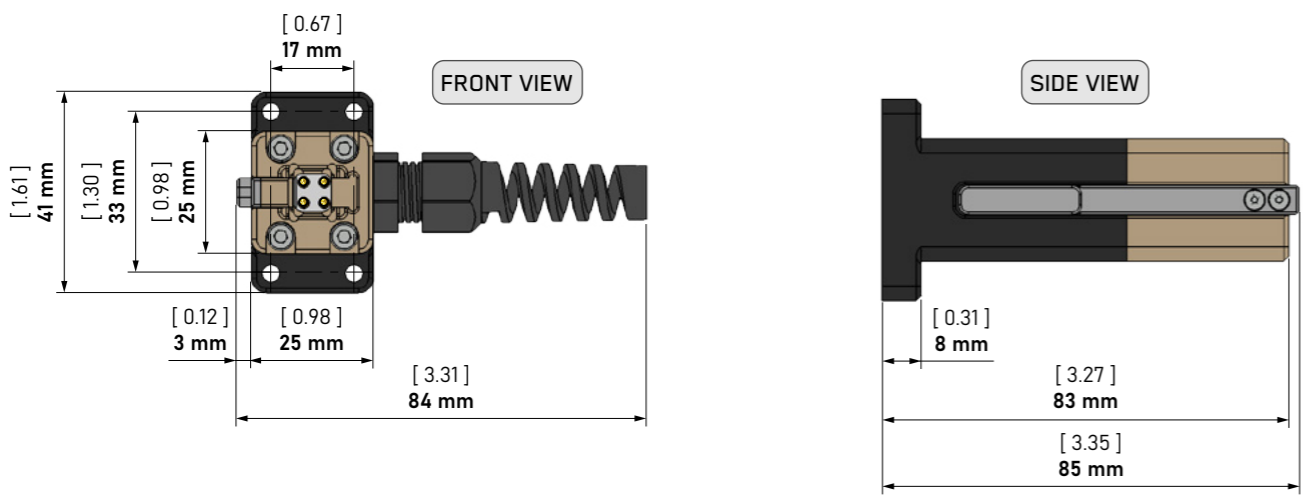
An integrated cable gland provides safe and organized cable routing with strain relief, keeping the setup clean, durable, and reliable for long-term use.



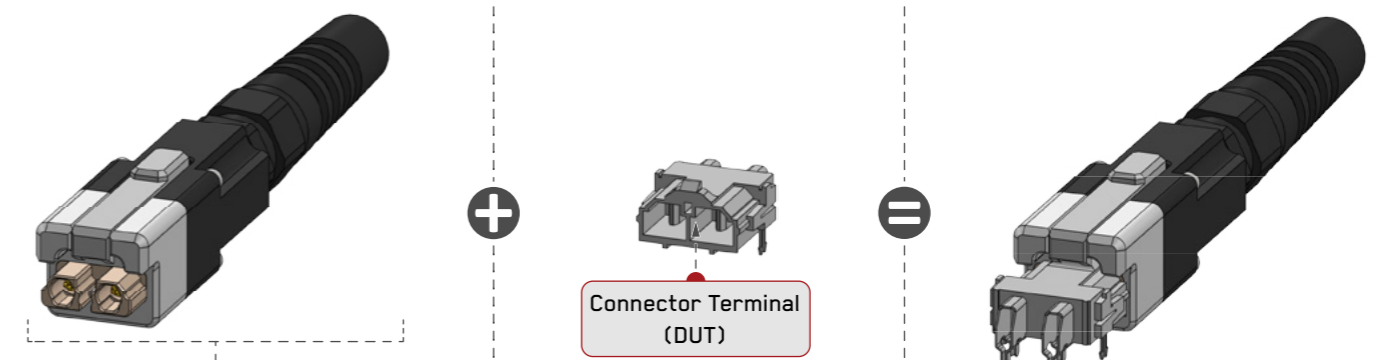
Equip-Test Spring Loaded Probe connects to DUT Terminal

1	2	3
Receptacle (Socket)	Test Probe	Terminal Nr.
RCT079 SR08	TT1005 RA08 M	03901-2040

Tools for RCT079 SR08	
Insertion Bit / Handle TBR10036 / TH1	Extraction Bit / Handle TBR10071 / TH2
Tools for TT1005 RA08 M	
Insertion Bit / Handle TBT10079 / TH3	Extraction Bit / Handle TBT10079 / TH3



DUT Number	03901-2040	General Information
DUT Manufacturer	Molex	
Receptacle(s) + Test Probe(s)	RCT079 SR08 + TT1005 RA08 M (5A)	
Cable Gland Size	M12	
		Jig Type: Mountable Test Jig

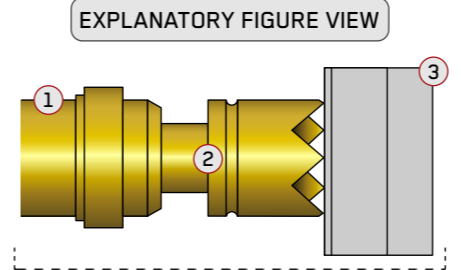


**Streamlining Molex Connector Testing:
MOLEX42820-2219 - JIG**

The MOLEX42820-2219 - JIG is a hand operated Test Jig, designed for precise and reliable testing of Molex connectors in demanding applications. Built for performance, it is perfectly suited for laboratory use, quality control, or low-volume production environments where high-current capability is essential.

This Jig features a PEEK material probe cap for enhanced thermal and mechanical resistance. At its core, this Jig features a high-current threaded Equip-Test Test Probe HCT1600 CG05 MX, capable of carrying up to 24A, ensuring robust and stable electrical connections under heavy loads. Additionally, the integrated Equip-Test switch probe SWT1005 IW93 MX provides accurate feedback and enhanced test control.

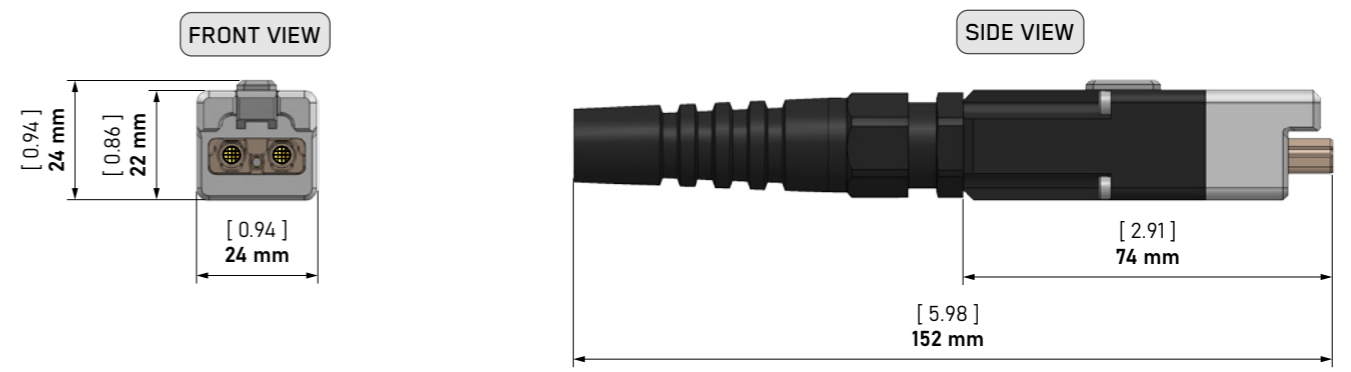
A built-in cable gland offers secure cable management and strain relief, ensuring a clean, safe, and durable setup for long-term use.



Equip-Test Spring Loaded Probe connects to DUT Terminal

1	2	3
Receptacle (Socket)	Test Probe	Terminal Nr.
RCT118 SR05	HCT1600 CG05 MX	42820-2219

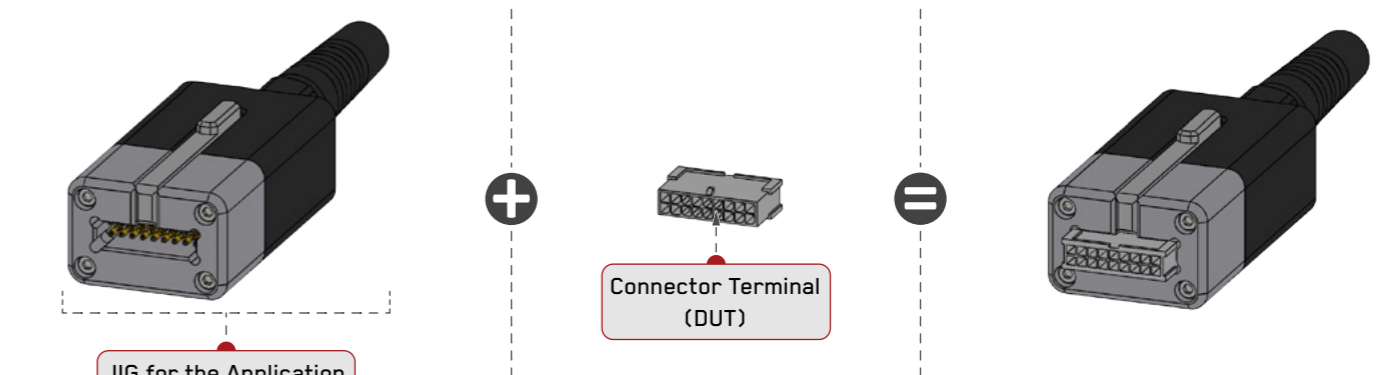
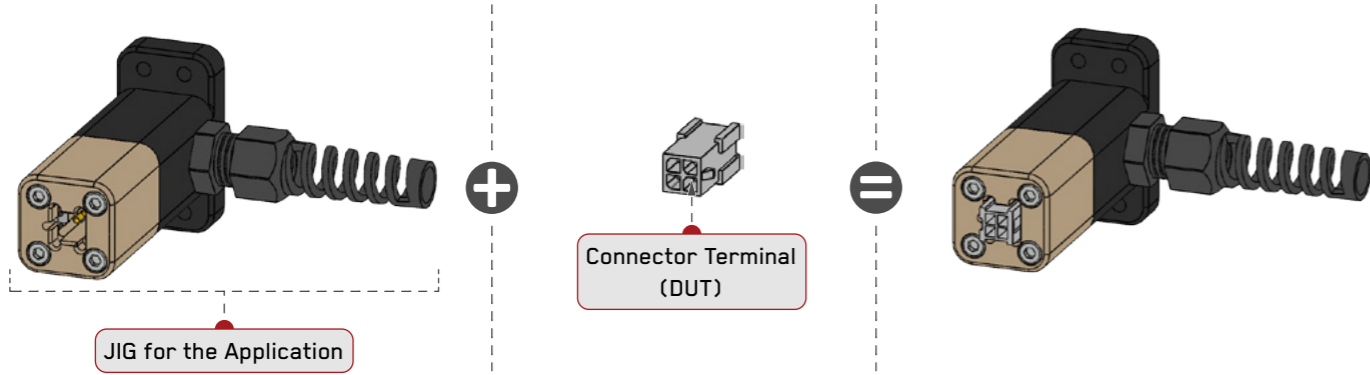
Tools for RCT118 SR05		Tools for RCT079 QE03	
Insertion Bit / Handle TBR16035 / TH1	Extraction Bit / Handle TBR16070 / TH2	Insertion Bit / Handle TBR10036 / TH1	Extraction Bit / Handle TBR10071 / TH2
Tools for HCT1600 CG05 MX		Tools for SWT1005 IW93 MX	
Insertion Bit / Handle TBT16073 / TH3	Extraction Bit / Handle TBT16073 / TH3	Insertion Bit / Handle TBT10079 / TH3	Extraction Bit / Handle TBT10079 / TH3



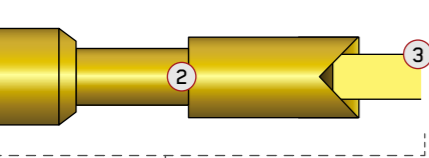
DUT Number	42820-2219	General Information
DUT Manufacturer	Molex	
Receptacle(s) + Test Probe(s)	RCT118 SR05 + HCT1600 CG05 MX (24A) RCT079 QE03 + SWT1005 IW93 MX (3A)	
Cable Gland Size	M16 x 1.5	
		Jig Type: Hand Operated Test Jig

MOLEX03901-2040 - JIG

MOLEX42820-2219 - JIG



EXPLANATORY FIGURE VIEW



Equip-Test Spring Loaded Probe connects to DUT Terminal

1	2	3
Receptacle (Socket)	Test Probe	Terminal Nr.
RCT079 SR08	TT1005 TA03 MX	43020-0401

Tools for RCT079 SR08	
Insertion Bit / Handle TBR10036 / TH1	Extraction Bit / Handle TBR10071 / TH2
Tools for TT1005 TA03 MX	
Insertion Bit / Handle TBT10079 / TH3	Extraction Bit / Handle TBT10079 / TH3

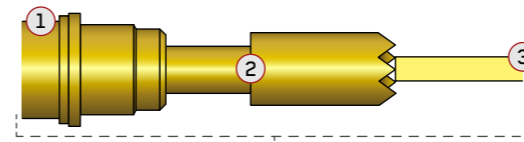
Streamlining Molex Connector Testing: MOLEX43020-0401 - JIG

The MOLEX43020-0401 - JIG is a mountable specifically designed for Molex connectors, delivering reliable and accurate performance for production lines, quality control, and R&D environments.

This Jig features a PEEK material nest for enhanced thermal and mechanical resistance. Equipped with a threaded Equip-Test contact Test Probe TT1005 TA03 MX, rated for up to 5A, this Jig ensures strong and consistent electrical connections for dependable testing.

A built-in cable gland provides secure cable routing and strain relief, ensuring a clean, organized, and long-lasting setup suitable for continuous use.

EXPLANATORY FIGURE VIEW



Equip-Test Spring Loaded Probe connects to DUT Terminal

1	2	3
Receptacle (Socket)	Test Probe	Terminal Nr.
RCT079 SR08	TT1005 CG55 M	43020-1801

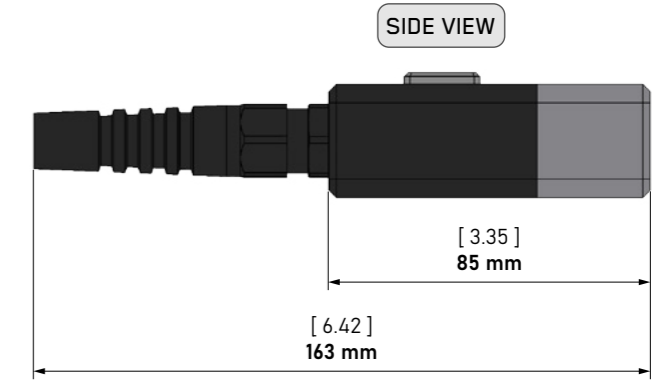
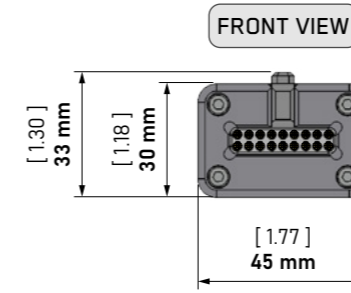
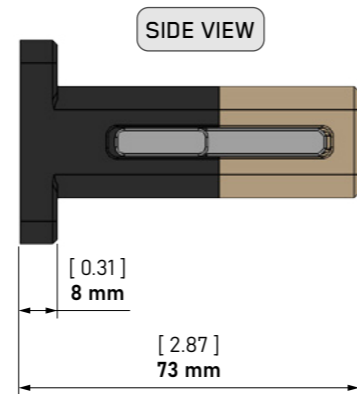
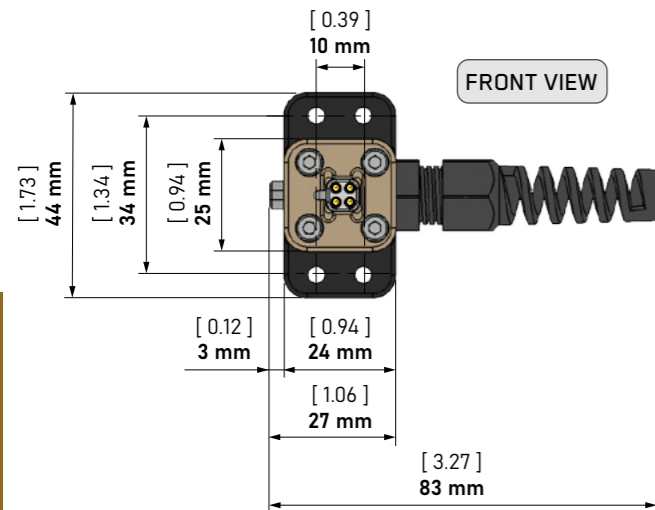
Tools for RCT079 SR08	
Insertion Bit / Handle TBR10036 / TH1	Extraction Bit / Handle TBR10071 / TH2
Tools for TT1005 CG55 M	
Insertion Bit / Handle TBT10079 / TH3	Extraction Bit / Handle TBT10079 / TH3

Streamlining Molex Connector Testing: MOLEX43020-1801 - JIG

The MOLEX43020-1801 - JIG is a hand operated Jig engineered for reliable and accurate testing of Molex connectors. Compact and easy to operate, it's ideal for laboratory use, quality control, or low-volume production environments where precision matters.

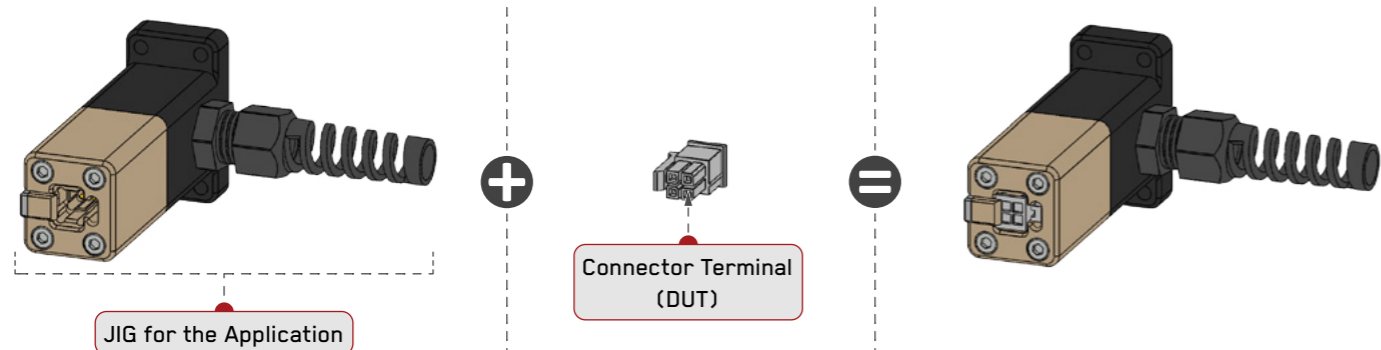
Fitted with a threaded Equip-Test contact Test Probe TT1005 CG55 M, rated for up to 5A, this Jig ensures secure and consistent electrical connections during every test cycle.

A built-in cable gland provides safe cable routing and strain relief, maintaining an organized, durable, and professional testing setup.

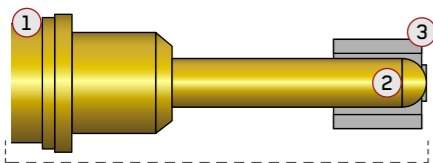


DUT Number	43020-0401	General Information
DUT Manufacturer	Molex	
Receptacle(s) + Test Probe(s)	RCT079 SR08 + TT1005 TA03 MX (5A)	Jig Type: Mountable Test Jig
Cable Gland Size	M12	

DUT Number	43020-1801	General Information
DUT Manufacturer	Molex	
Receptacle(s) + Test Probe(s)	RCT079 SR08 + TT1005 CG55 M (5A)	Jig Type: Hand Operated Test Jig
Cable Gland Size	M16 x 1.5	



EXPLANATORY FIGURE VIEW



Equip-Test Spring Loaded Probe connects to DUT Terminal

**Streamlining Molex Connector Testing:
MOLEX43025-0400 - JIG - 01**

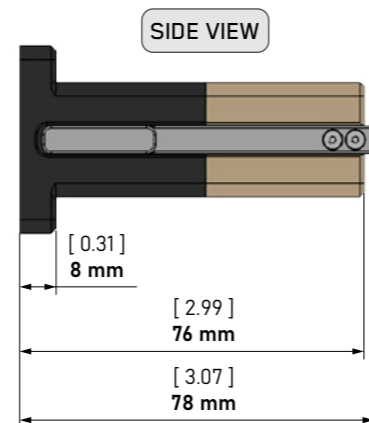
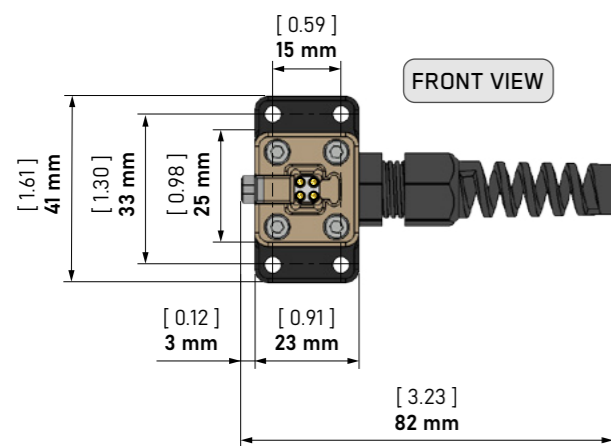
The MOLEX43025-0400 - JIG - 01 is mountable designed for precise and efficient testing of Molex connectors. Built for stability and ease of integration, it's perfectly suited for production lines, quality control, and laboratory environments where accuracy and repeatability are essential.

This Jig features a PEEK material nest for enhanced thermal and mechanical resistance. Equipped with a threaded Equip-Test contact Test Probe TTT1005 RB06 MX, rated for up to 5A, this Jig provides reliable and consistent electrical connections for dependable testing results.

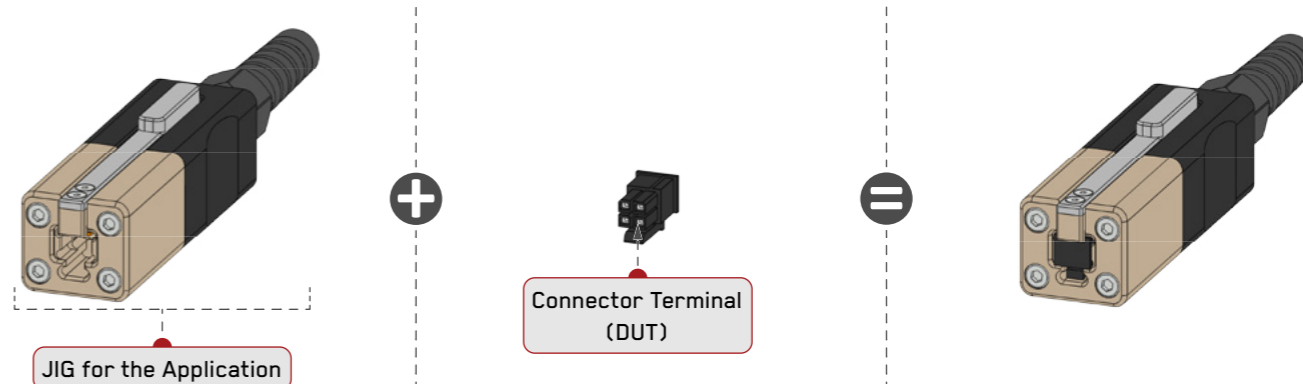
A built-in cable gland ensures safe and organized cable routing with strain relief, creating a clean and durable testing setup ready for long-term operation.

1	2	3
Receptacle (Socket)	Test Probe	Terminal Nr.
RCT079 SR08	TT1005 RB06 MX	43025-0400

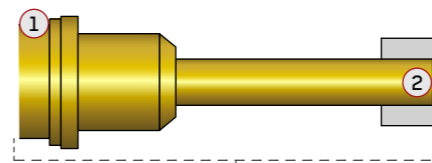
Tools for RCT079 SR08	
Insertion Bit / Handle TBR10036 / TH1	Extraction Bit / Handle TBR10071 / TH2
Tools for TT1005 RB06 MX	
Insertion Bit / Handle TBT10079 / TH3	Extraction Bit / Handle TBT10079 / TH3



DUT Number	43025-0400	General Information
DUT Manufacturer	Molex	Jig Type: Mountable Test Jig
Receptacle(s) + Test Probe(s)	RCT079 SR08 + TT1005 RB06 MX (5A)	
Cable Gland Size	M12 x 1.5	



EXPLANATORY FIGURE VIEW



Equip-Test Spring Loaded Probe connects to DUT Terminal

**Streamlining Molex Connector Testing:
MOLEX43025-0400 - JIG - 02**

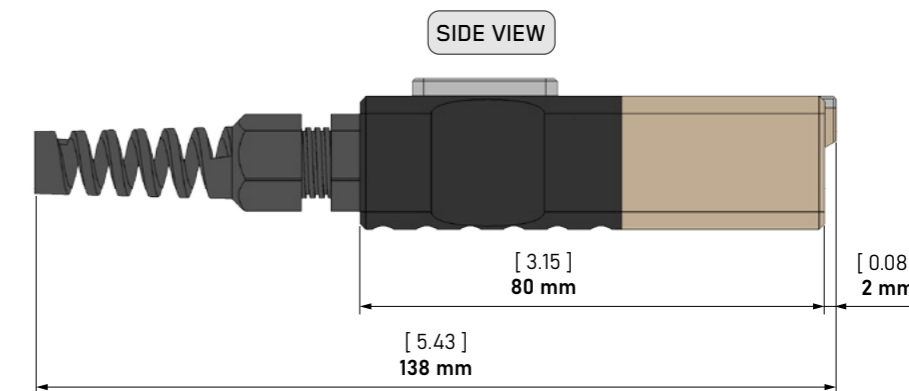
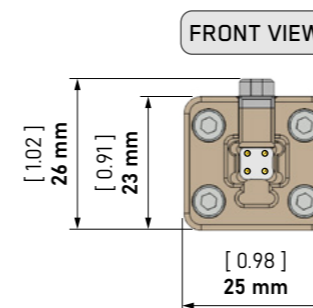
The MOLEX43025-0400 - JIG - 02 is a hand operated Test Jig designed for accurate and dependable testing of Molex connectors. Its compact and practical design makes it an excellent choice for laboratories, quality control stations, and low-volume production environments.

This Jig features a PEEK material nest for enhanced thermal and mechanical resistance. This Jig features a threaded Equip-Test contact Test Probe TTT1005 RB06 MX, rated for up to 5A, ensuring reliable and stable electrical connections throughout the testing process.

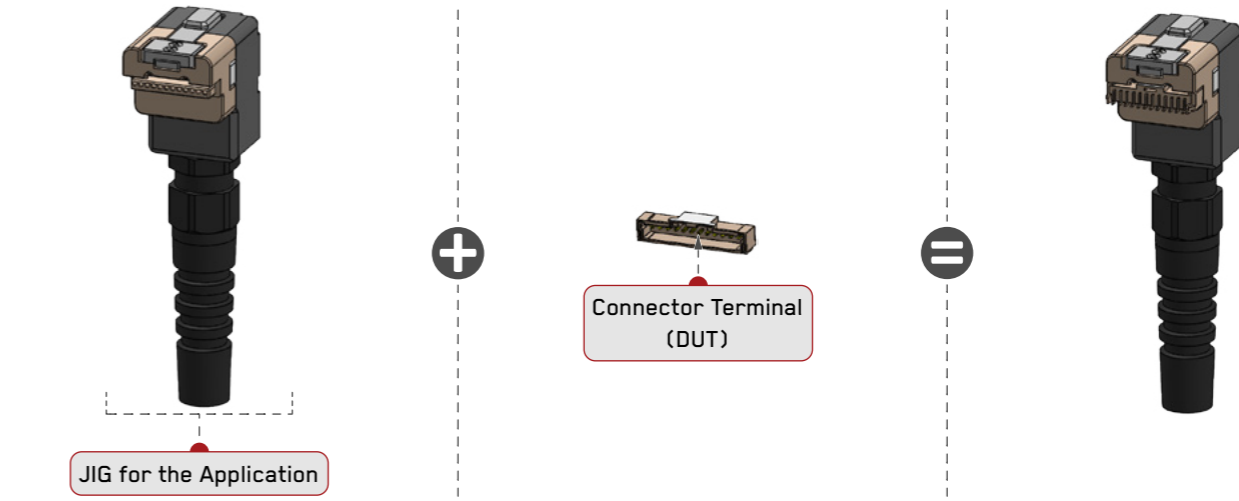
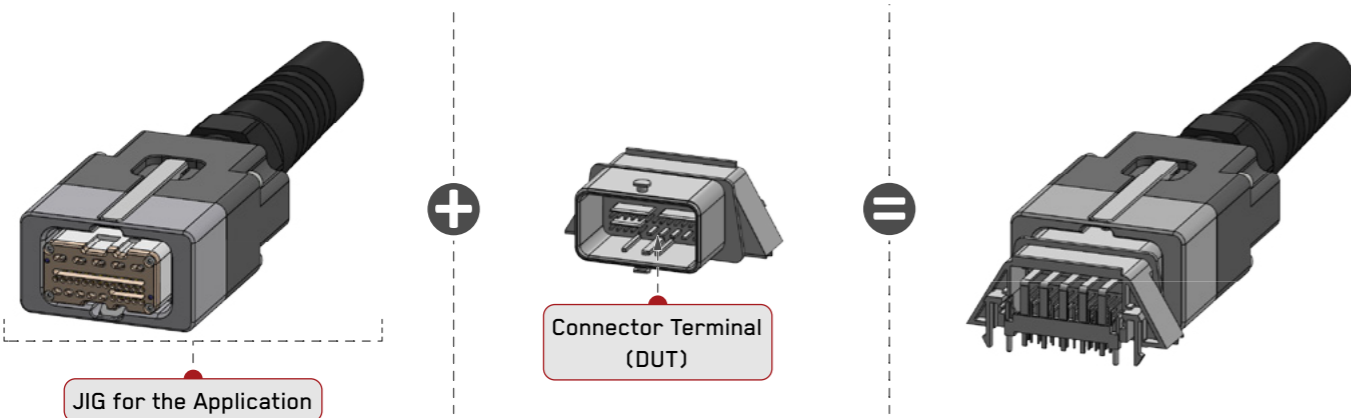
For added convenience and durability, an integrated cable gland provides secure cable routing and strain relief, keeping the workspace organized and safe.

1	2	3
Receptacle (Socket)	Test Probe	Terminal Nr.
RCT079 SR08	TT1005 RB06 MX	43025-0400

Tools for RCT079 SR08	
Insertion Bit / Handle TBR10036 / TH1	Extraction Bit / Handle TBR10071 / TH2
Tools for TT1005 RB06 MX	
Insertion Bit / Handle TBT10079 / TH3	Extraction Bit / Handle TBT10079 / TH3



DUT Number	43025-0400	General Information
DUT Manufacturer	Molex	Jig Type: Hand Operated Test Jig
Receptacle(s) + Test Probe(s)	RCT079 SR08 + TT1005 RB06 MX (5A)	
Cable Gland Size	M12	



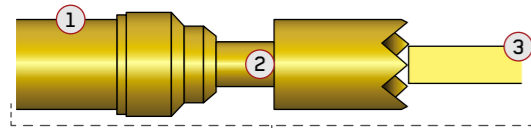
EXPLANATORY FIGURE VIEW

Streamlining Molex Connector Testing: MOLEX477450100 - JIG

The MOLEX477450100 - JIG is a hand operated Test Jig for Molex connectors. It's designed for precise and versatile testing, making it a great fit for laboratories, quality control, and low-volume production. The Jig features a PEEK material probe cap, which provides excellent thermal and mechanical resistance. Equipped with two types of connector terminals:

- A threaded Equip-Test contact Test Probe TT1005 CG07 M, rated for up to 5A, ensuring robust electrical performance.
- An additional Equip-Test contact Test Probe TT750 CG54 S, rated for up to 3A, providing flexibility for various testing needs.

An integrated cable gland offers secure cable routing and strain relief, ensuring an organized and durable setup for long-term use.



Equip-Test Spring Loaded Probe connects to DUT Terminal

1	2	3
Receptacle (Socket)	Test Probe	Terminal Nr.
RCT079 SR08	TT1005 CG07 M	477450100

Tools for RCT079 SR08		Tools for RCT052 SR03	
Insertion Bit / Handle TBR10036 / TH1	Extraction Bit / Handle TBR10071 / TH2	Insertion Bit / Handle TBR7535 / TH1	Extraction Bit / Handle TBR7570 / TH2
Tools for TT1005 CG07 M		Tools for TT750 CG54 S	
Insertion Bit / Handle TBT10079 / TH3	Extraction Bit / Handle TBT10079 / TH3	Insertion Bit / Handle TBT7570 / TH3	Extraction Bit / Handle TBT7570 / TH3

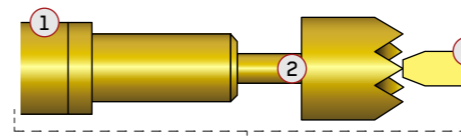
EXPLANATORY FIGURE VIEW

Streamlining Molex Connector Testing: MOLEX5023521-200 - JIG

The MOLEX5023521-200 - JIG is a hand operated L-shaped Test Jig designed for precise and efficient testing of Molex connectors. Its ergonomic L-shaped design provides easy hand operated testing and access, making it ideal for quality control, laboratory use, and low-volume production environments.

This Jig features a PEEK material probe cap for enhanced thermal and mechanical resistance. Equipped with a threaded Equip-Test contact Test Probe TT751 CG03 N, rated for up to 3A, this Jig ensures reliable and consistent electrical connections throughout the testing process.

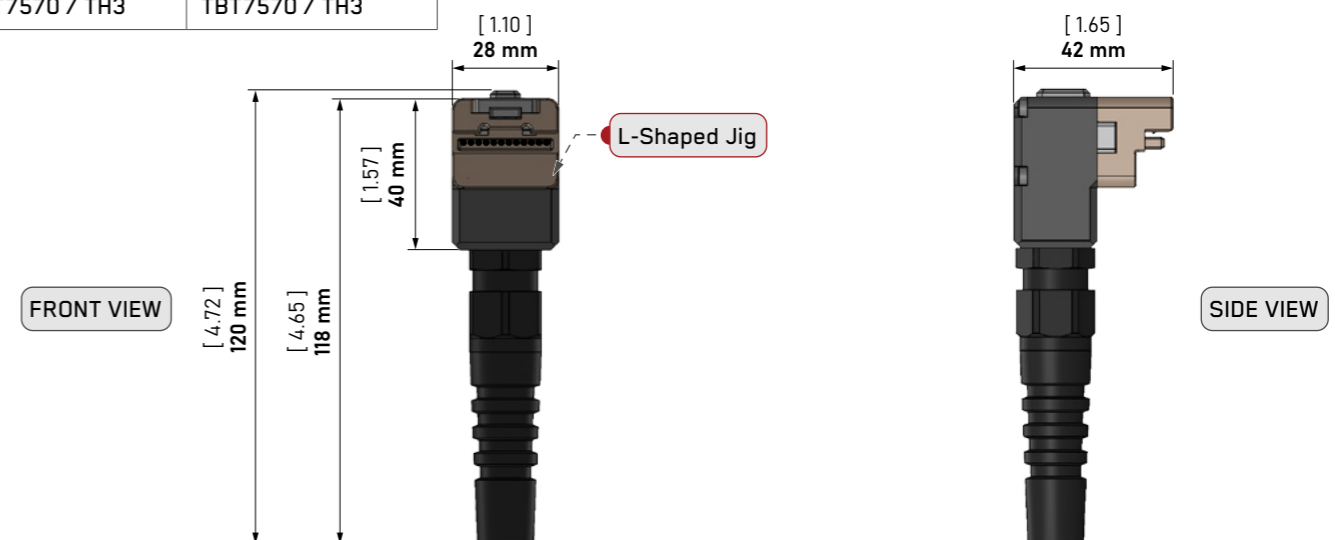
A built-in cable gland offers secure cable routing and strain relief, maintaining a clean, organized, and durable setup.



Equip-Test Spring Loaded Probe connects to DUT Terminal

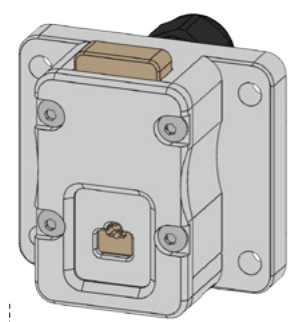
1	2	3
Receptacle (Socket)	Test Probe	Terminal Nr.
RCT049 SR03	TT751 CG03 N	5023521-200

Tools for RCT049 SR03	
Insertion Bit / Handle TBR7535 / TH1	Extraction Bit / Handle TBR7570 / TH2
Tools for TT751 CG03 N	
Insertion Bit / Handle TBT7570 / TH3	Extraction Bit / Handle TBT7570 / TH3



DUT Number	477450100	General Information
DUT Manufacturer	Molex	Jig Type: Hand Operated Test Jig
Receptacle(s) + Test Probe(s)	RCT079 SR08 + TT1005 CG07 M (5A) RCT052 SR03 + TT750 CG54 S (3A)	
Cable Gland Size	M25 x 1.5	

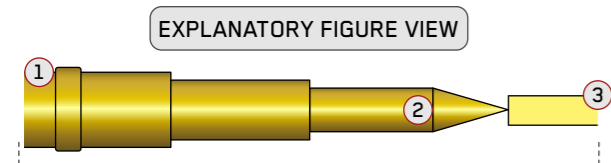
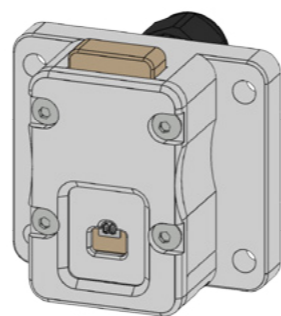
DUT Number	5023521-200	General Information
DUT Manufacturer	Molex	Jig Type: Hand Operated Test Jig Shape Design: L-Shaped design
Receptacle(s) + Test Probe(s)	RCT049 SR03 + TT751 CG03 N (3A)	
Cable Gland Size	M16 x 1.5	



JIG for the Application



Connector Terminal (DUT)



EXPLANATORY FIGURE VIEW

Equip-Test Spring Loaded Probe connects to DUT Terminal

1	2	3
Receptacle (Socket)	Test Probe	Terminal Nr.
RCP034 SR06	ST510 UB03 NX	51021-0200

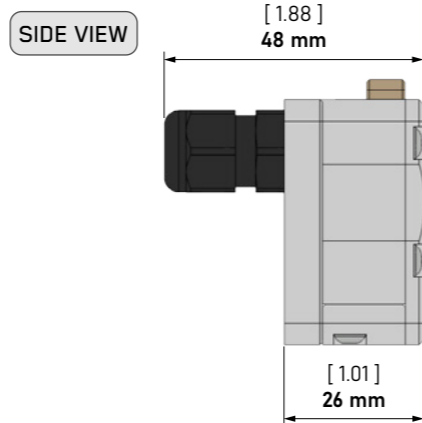
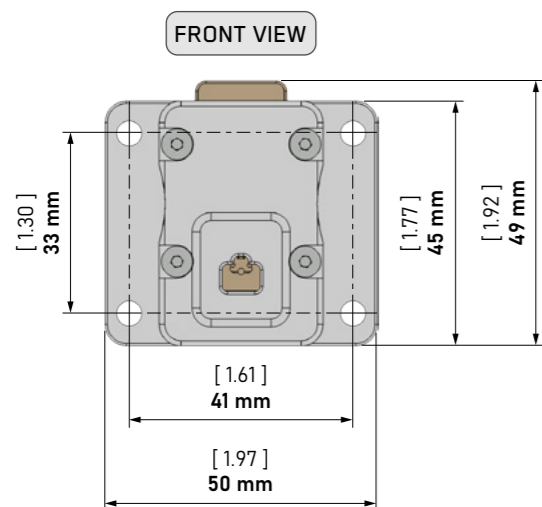
Tools for RCP034 SR06	
Insertion Bit / Handle TBR5036 / TH1	Extraction Bit / Handle TBR5070 / TH1
Tools for ST510 UB03 NX	
Insertion Bit / Handle TBP5035 / TH1	Extraction Bit / Handle TBP5070 / TH1

**Streamlining Molex Connector Testing:
MOLEX51021-0200 - JIG**

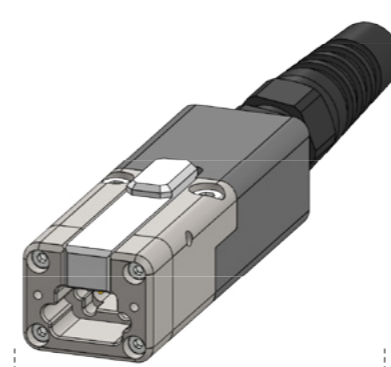
The MOLEX51021-0200 - JIG is a mountable Test Jig specifically designed for Molex connectors, featuring an ultra-small contact for precision testing in compact spaces. Ideal for production lines, quality control, and laboratory environments requiring high accuracy in tight areas.

Equipped with a threaded Equip-Test contact Test Probe ST510 UB03 NX rated for up to 3A, this Jig ensures consistent and reliable electrical connections even with its miniature contact design.

A built-in cable gland secures cable routing and provides strain relief, maintaining a clean and durable test setup.



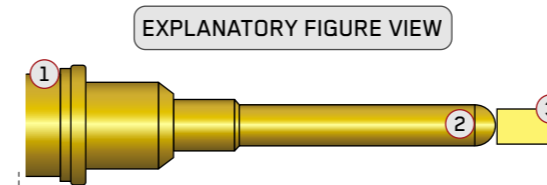
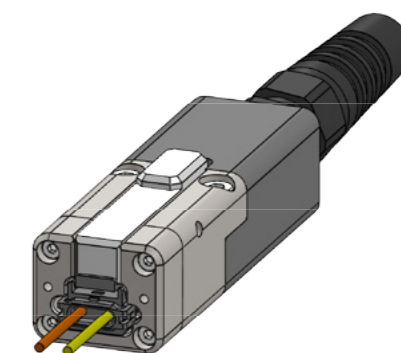
DUT Number	51021-0200	General Information
DUT Manufacturer	Molex	Jig Type: Mountable Test Jig
Receptacle(s) + Test Probe(s)	RCP034 SR06 + ST510 UB03 NX (3A)	
Cable Gland Size	M12 x 1.5	



JIG for the Application



Connector Terminal (DUT)



EXPLANATORY FIGURE VIEW

Equip-Test Spring Loaded Probe connects to DUT Terminal

1	2	3
Receptacle (Socket)	Test Probe	Terminal Nr.
RCT079 SR08	TT1005 RB06 LX	521170241

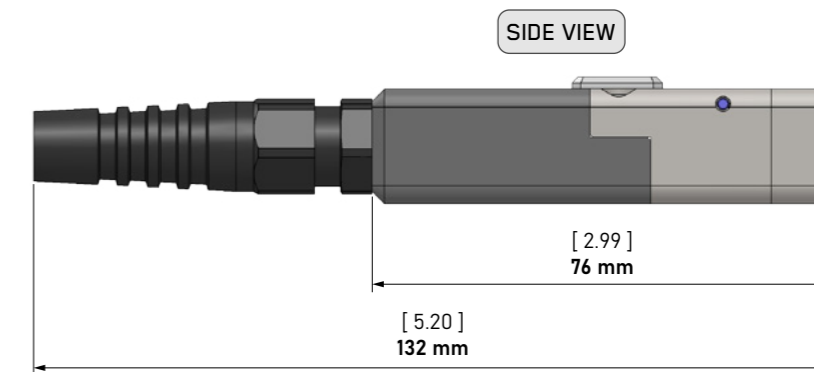
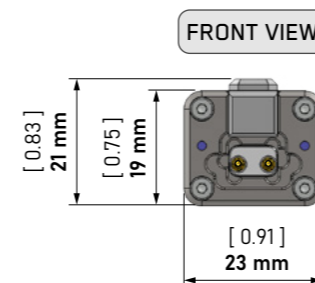
Tools for RCT079 SR08	
Insertion Bit / Handle TBR10036 / TH1	Extraction Bit / Handle TBR10071 / TH2
Tools for TT1005 RB06 LX	
Insertion Bit / Handle TBT10079 / TH3	Extraction Bit / Handle TBT10079 / TH3

**Streamlining Molex Connector Testing:
MOLEX521170241 - JIG**

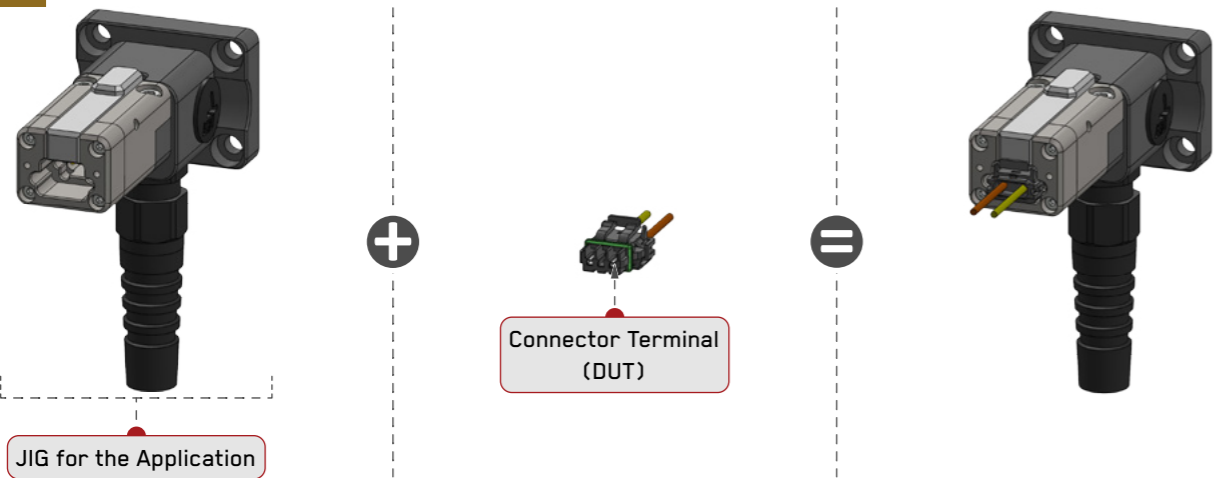
The MOLEX521170241 - JIG is a hand operated two-pole Test Jig specifically designed for reliable and accurate testing of Molex connectors. Compact and easy to hand operated, it is ideal for quality control, laboratory testing, and small-scale production environments.

Equipped with a threaded Equip-Test contact Test Probe TT1005 RB06 LX rated for up to 5A, this Jig ensures secure and stable electrical connections throughout the testing process.

An integrated cable gland provides organized cable routing and strain relief, maintaining a neat and durable setup for daily use.



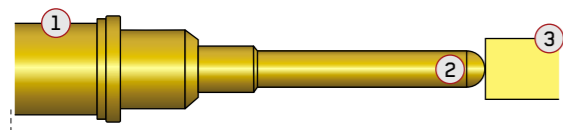
DUT Number	521170241	General Information
DUT Manufacturer	Molex	Jig Type: Hand Operated Test Jig
Receptacle(s) + Test Probe(s)	RCT079 SR08 + TT1005 RB06 LX (5A)	
Cable Gland Size	M12 x 1.5	



Connector Terminal (DUT)

JIG for the Application

EXPLANATORY FIGURE VIEW



Equip-Test Spring Loaded Probe connects to DUT Terminal

Streamlining Molex Connector Testing: MOLEX52117-0241 - JIG

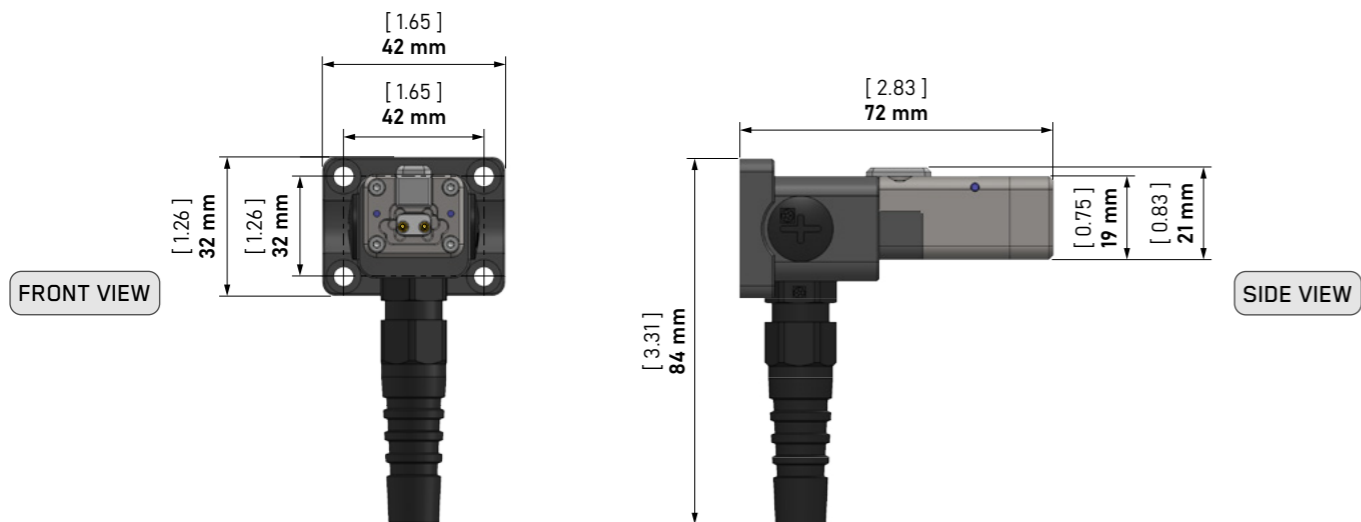
The MOLEX52117-0241 - JIG is a mountable two-pole designed for accurate and reliable testing of Molex connectors. Its stable construction and user-friendly design make it ideal for production lines, quality assurance, and laboratory environments.

Equipped with threaded Equip-Test contact Test Probe TT1005 RB06 LX rated for up to 5A, this Jig guarantees consistent and secure electrical connections throughout the testing process.

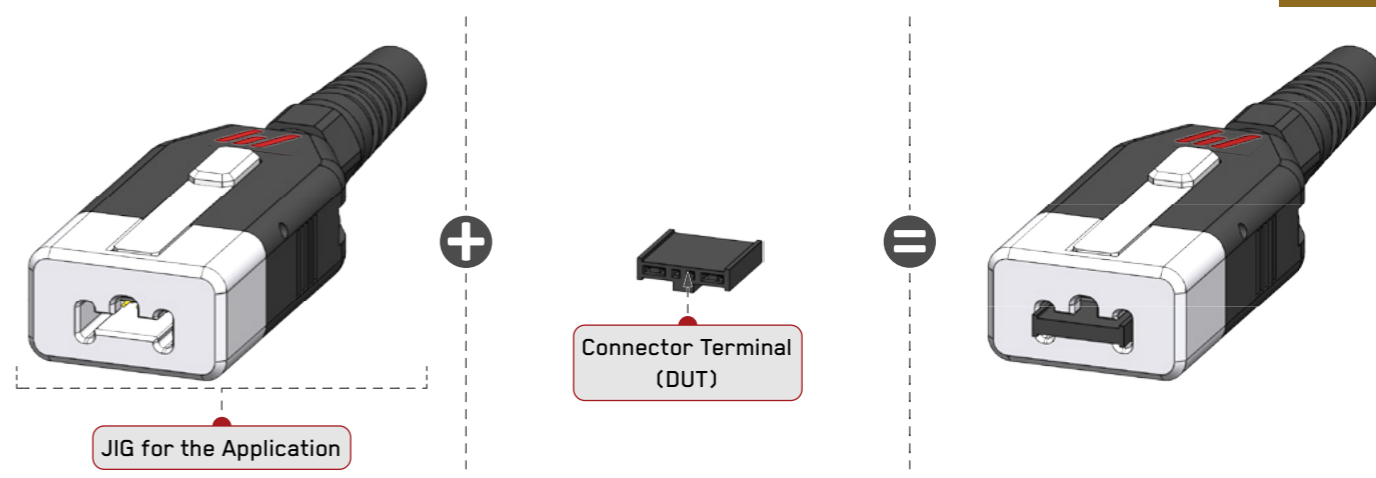
An integrated cable gland provides organized cable management and strain relief, ensuring a clean and durable testing setup suitable for daily use.

1	2	3
Receptacle (Socket)	Test Probe	Terminal Nr.
RCT079 SR08	TT1005 RB06 LX	52117-0241

Tools for RCT079 SR08	
Insertion Bit / Handle TBR10071 / TH2	Extraction Bit / Handle TBR10071 / TH2
Tools for TT1005 RB06 LX	
Insertion Bit / Handle TBT10079 / TH3	Extraction Bit / Handle TBT10079 / TH3



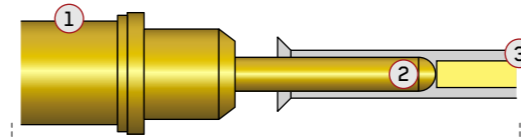
DUT Number	52117-0241	General Information
DUT Manufacturer	Molex	Jig Type: Mountable Test Jig
Receptacle(s) + Test Probe(s)	RCT079 SR08 + TT1005 RB06 LX (5A)	
Cable Gland Size	M12 x 1.5	



Connector Terminal (DUT)

JIG for the Application

EXPLANATORY FIGURE VIEW



Equip-Test Spring Loaded Probe connects to DUT Terminal

Streamlining Molex Connector Testing: MOLEX90156-0146 - JIG

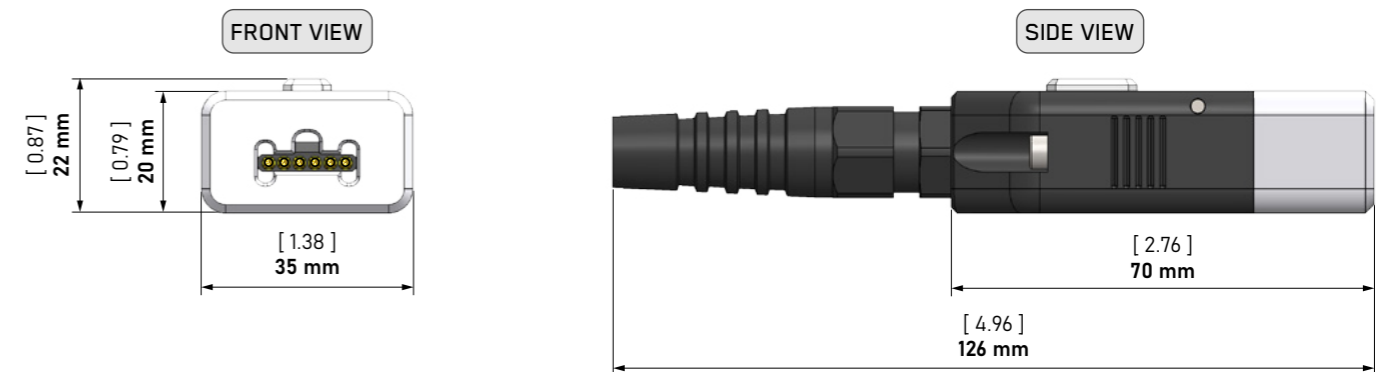
The MOLEX90156-0146 - JIG is a classic hand operated Test Jig designed for precise and dependable testing of Molex connectors. Its straightforward design ensures ease of use, making it ideal for quality control, laboratory testing, and small-scale production environments.

Equipped with a threaded Equip-Test contact Test Probe TT1005 RB04 MX rated for up to 5A, this Jig guarantees secure and consistent electrical connections during every test cycle.

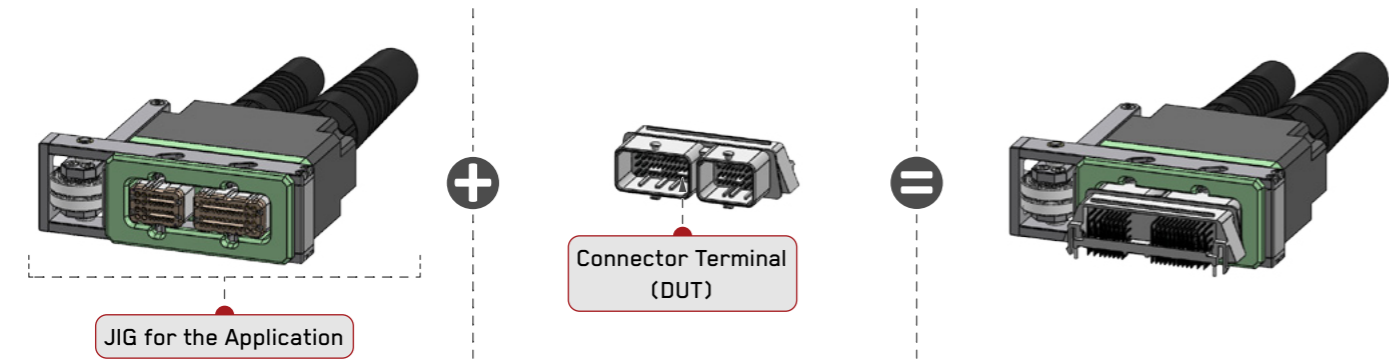
A built-in cable gland offers reliable cable management and strain relief, keeping your workspace organized and ensuring long-lasting durability.

1	2	3
Receptacle (Socket)	Test Probe	Terminal Nr.
RCT079 SR08	TT1005 RB04 MX	90156-0146

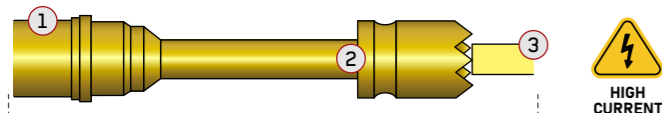
Tools for RCT079 SR08	
Insertion Bit / Handle TBR10036 / TH1	Extraction Bit / Handle TBR10071 / TH2
Tools for TT1005 RB04 MX	
Insertion Bit / Handle TBT10079 / TH3	Extraction Bit / Handle TBT10079 / TH3



DUT Number	90156-0146	General Information
DUT Manufacturer	Molex	Jig Type: Hand Operated Test Jig
Receptacle(s) + Test Probe(s)	RCT079 SR08 + TT1005 RB04 MX (5A)	
Cable Gland Size	M12 x 1.5	



EXPLANATORY FIGURE VIEW



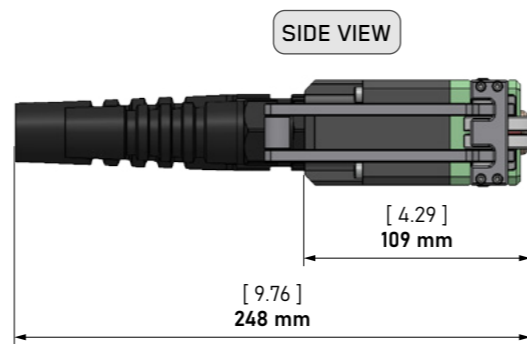
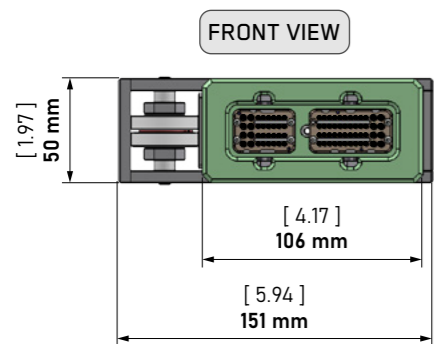
Equip-Test Spring Loaded Probe connects to DUT Terminal

Streamlining Molex Connector Testing: MOLEXSD-502225-001 - JIG

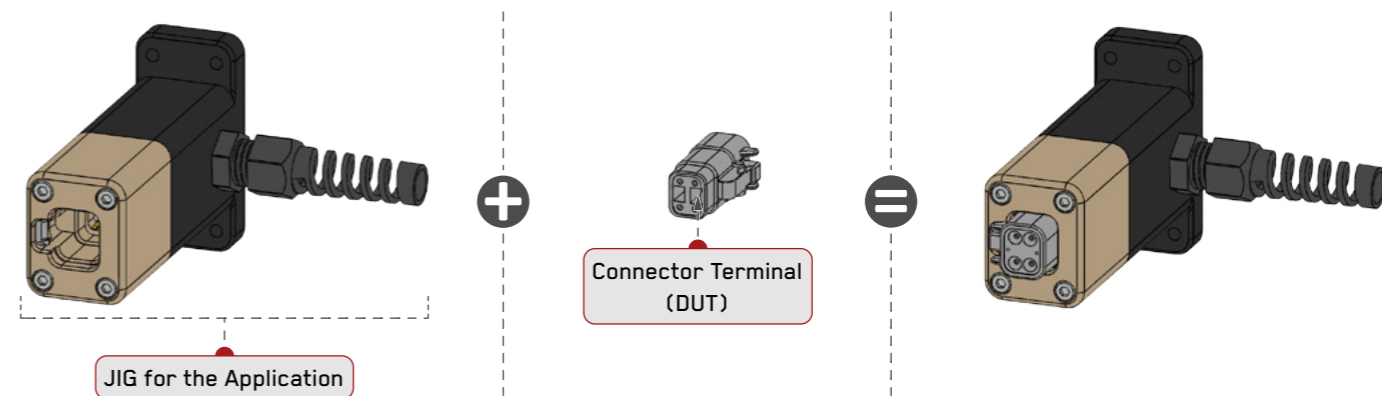
The MOLEXSD-502225-001 - JIG is a hand operated Test Jig for Molex connectors with a secure bearing lock. It uses TT750 TA03 N probes (up to 3A) for standard testing and HCT1005 CG05 MX probes (up to 16A) for high-current needs. This Jig features a PEEK material probe cap for enhanced thermal and mechanical resistance. An Equip-Test threaded switch probe SWT1400 IW93 S enhances safety by securing the bearing lock, preventing accidental disconnections. Equipped with two types of cable glands. The Jig offers flexible and secure cable management options with effective strain relief for an organized and durable testing setup.

1	2	3
Receptacle (Socket)	Test Probe	Terminal Nr.
RCT052 SR03	TT750 TA03 N	SD-502225-001

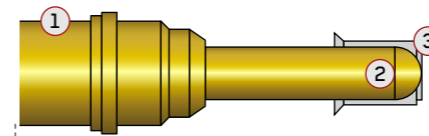
Tools for RCT079 SR08		Tools for RCT052 SR03		Tools for RCT118 QR04	
Insertion Bit / Handle	Extraction Bit / Handle	Insertion Bit / Handle	Extraction Bit / Handle	Insertion Bit / Handle	Extraction Bit / Handle
TBR10036 / TH1	TBR10071 / TH2	TBR7535 / TH1	TBR7570 / TH2	TBR16035 / TH1	TBR16070 / TH2
Tools for HCT1005 CG05 MX		Tools for TT750 TA03 N		Tools for SWT1400 IW93 S	
Insertion Bit / Handle	Extraction Bit / Handle	Insertion Bit / Handle	Extraction Bit / Handle	Insertion Bit / Handle	Extraction Bit / Handle
TBT10079 / TH3	TBT10079 / TH3	TBT7570 / TH3	TBT7570 / TH3	TBT14072 / TH3	TBT14072 / TH3



DUT Number	SD-502225-001	General Information
DUT Manufacturer	Molex	Jig Type: Hand Operated Test Jig
Receptacle(s) + Test Probe(s)	RCT079 SR08 + HCT1005 CG05 MX (16A)	
	RCT052 SR03 + TT750 TA03 N (3A)	
Cable Gland Size	RCT118 QR04 + SWT1400 IW93 S (5A)	
	M25 x 1.5	
	M32 x 1.5	



EXPLANATORY FIGURE VIEW



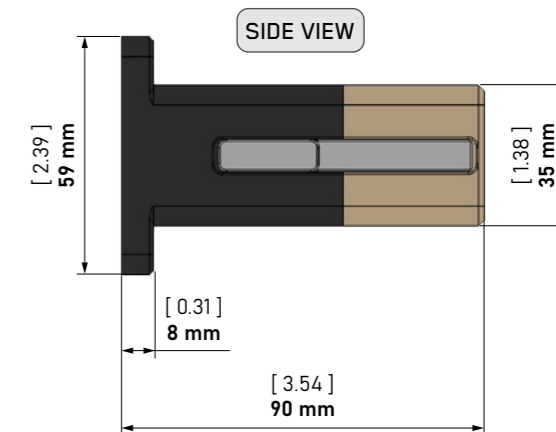
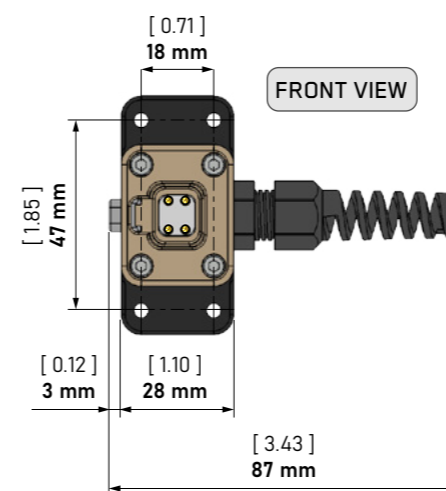
Equip-Test Spring Loaded Probe connects to DUT Terminal

Streamlining Mouser Connector Testing: MOUSERDTM06-4S

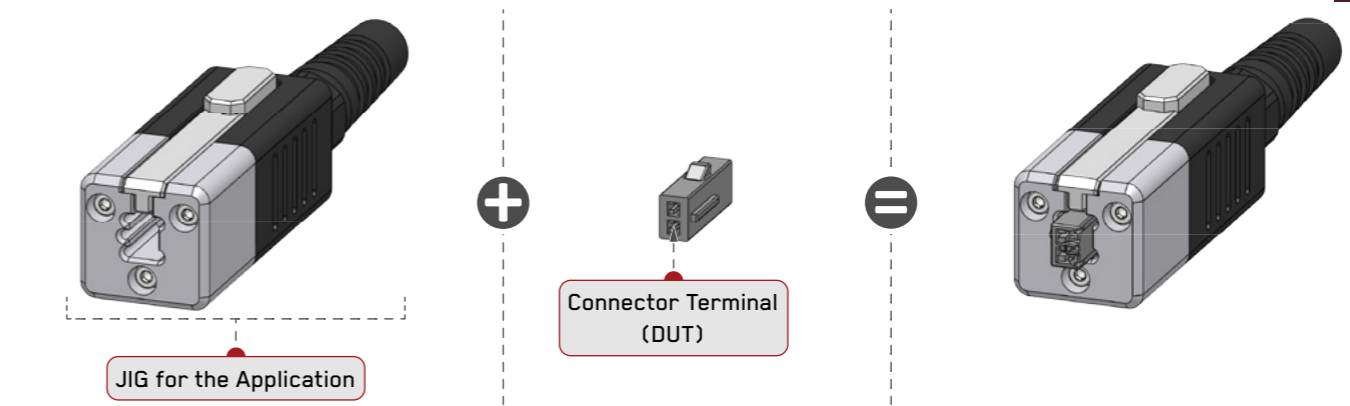
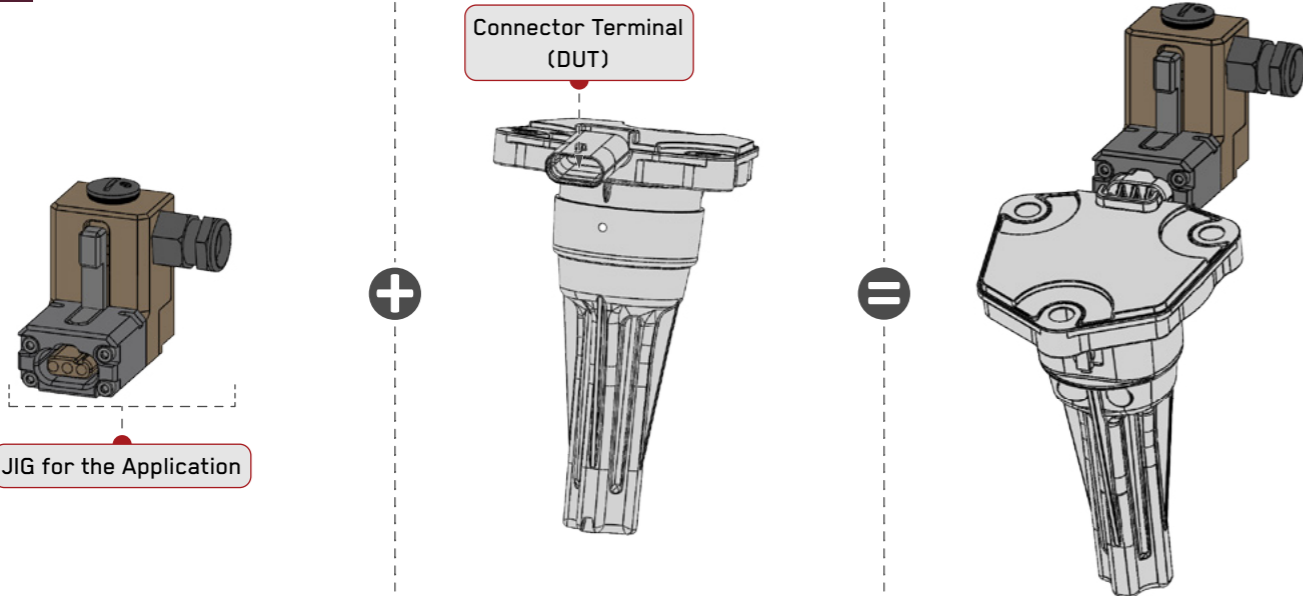
The MOUSERDTM06-4S - JIG is a mountable engineered for accurate and reliable testing of Mouser connectors. Designed for stability and ease of use, it is perfectly suited for production lines, quality control stations, and laboratory environments. This Jig features a PEEK material nest for enhanced thermal and mechanical resistance. This Jig is equipped with a threaded Equip-Test contact Test Probe TT1005 RB07 MX rated for up to 5A, ensuring strong and consistent electrical connections during every test cycle. A built-in cable gland provides secure cable routing and strain relief, keeping the testing setup safe, organized, and durable.

1	2	3
Receptacle (Socket)	Test Probe	Terminal Nr.
RCT079 SR08	TT1005 RA07 MX	DTM06-4S

Tools for RCT079 SR08	
Insertion Bit / Handle	Extraction Bit / Handle
TBR10036 / TH1	TBR10071 / TH2
Tools for TT1005 RA07 MX	
Insertion Bit / Handle	Extraction Bit / Handle
TBT10079 / TH3	TBT10079 / TH3



DUT Number	DTM06-4S	General Information
DUT Manufacturer	Mouser	Jig Type: Mountable Test Jig
Receptacle(s) + Test Probe(s)	RCT079 SR08 + TT1005 RA07 MX (5A)	
Cable Gland Size	M12	



Streamlining OEM Connector Testing: OEM04C 907 660 A - JIG

The OEM04C 907 660 A - JIG is a hand operated L-shaped Test Jig designed for precise and efficient testing of OEM connectors. Its ergonomic L-shaped form provides improved hand operateding and accessibility, making it an excellent choice for laboratory testing, quality control, and low-volume production environments.

This Jig features a PEEK material probe cap and Jig housing for enhanced thermal and mechanical resistance. Equipped with a threaded Equip-Test contact Test Probe TT1003 CG02 N rated for up to 3A, this Jig ensures stable and reliable electrical connections during every test cycle.

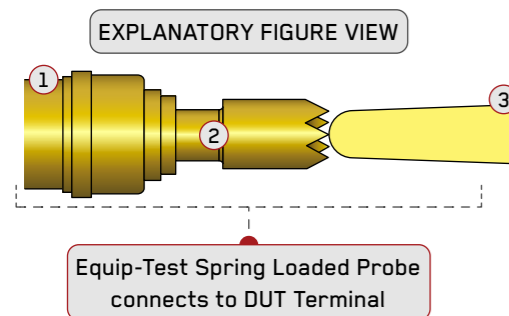
A built-in cable gland offers secure cable routing and strain relief, keeping the setup organized, safe, and long-lasting.

Streamlining OEM Connector Testing: OEM1J0973119 - JIG

The OEM1J0973119 - JIG is a hand operated two-pole Test Jig designed for accurate and efficient testing of OEM connectors. Built for practicality and reliability, it's ideal for laboratory use, quality inspection, and low-volume production environments.

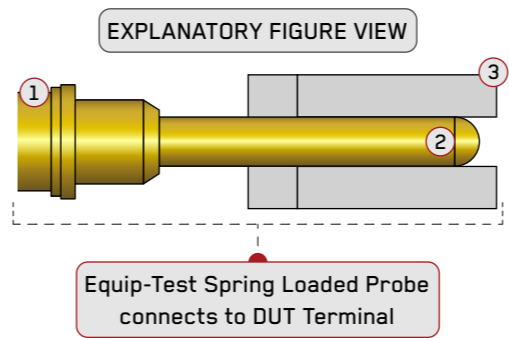
This Jig is equipped with a threaded Equip-Test contact Test Probe TT1003 RA03 N rated for up to 5A, ensuring stable and consistent electrical connections. For added safety and precision, it features a threaded switch probe SWT750 FA03 M from Equip-Test, providing reliable engagement verification during the testing process.

A built-in cable gland secures cable routing and provides strain relief, resulting in a clean, safe, and long-lasting testing setup.



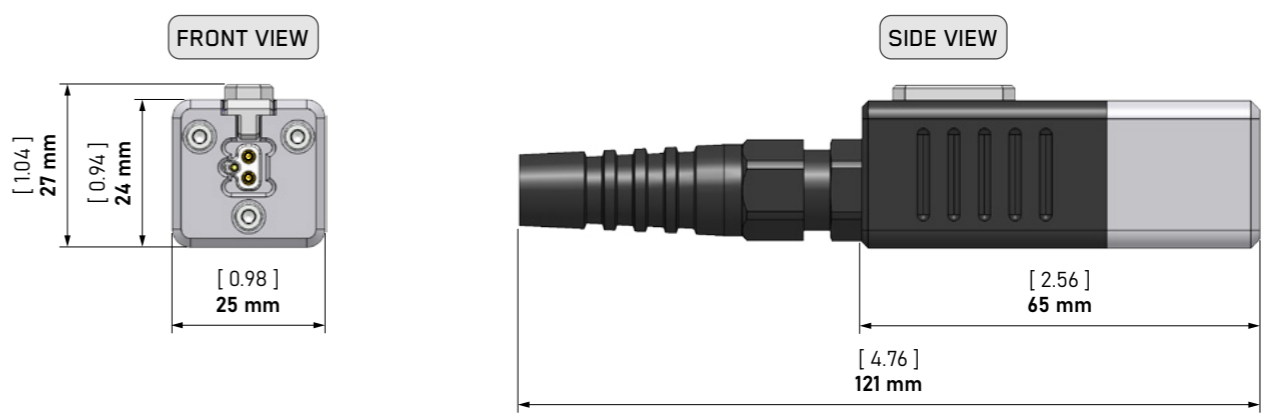
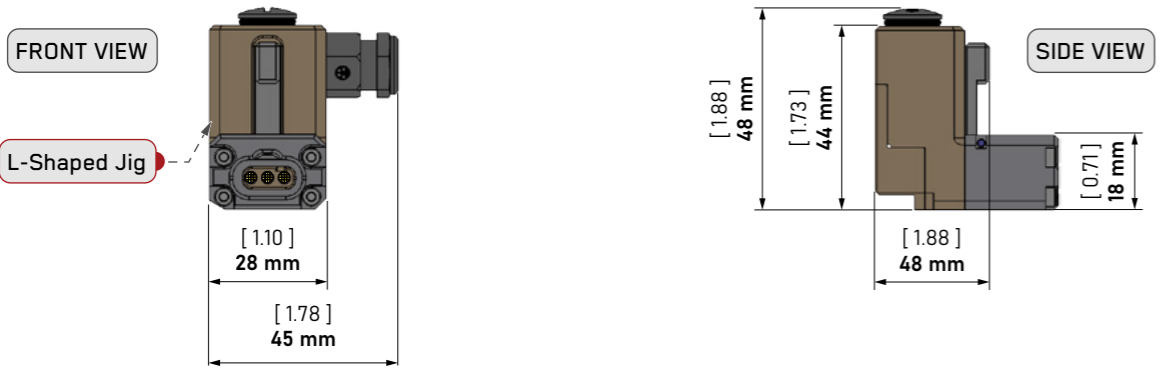
1	2	3
Receptacle (Socket)	Test Probe	Terminal Nr.
RCT079 SR04	TT1003 CG02 N	O4C 907 660 A

Tools for RCT079 SR04	
Insertion Bit / Handle TBR10036 / TH1	Extraction Bit / Handle TBR10071 / TH2
Tools for TT1003 CG02 N	
Insertion Bit / Handle TBT10078 / TH3	Extraction Bit / Handle TBT10078 / TH3



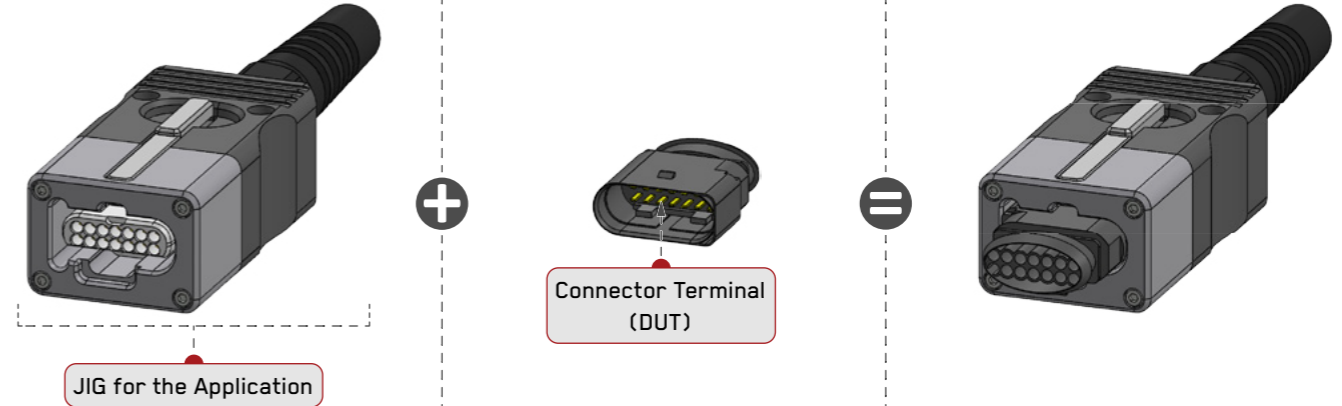
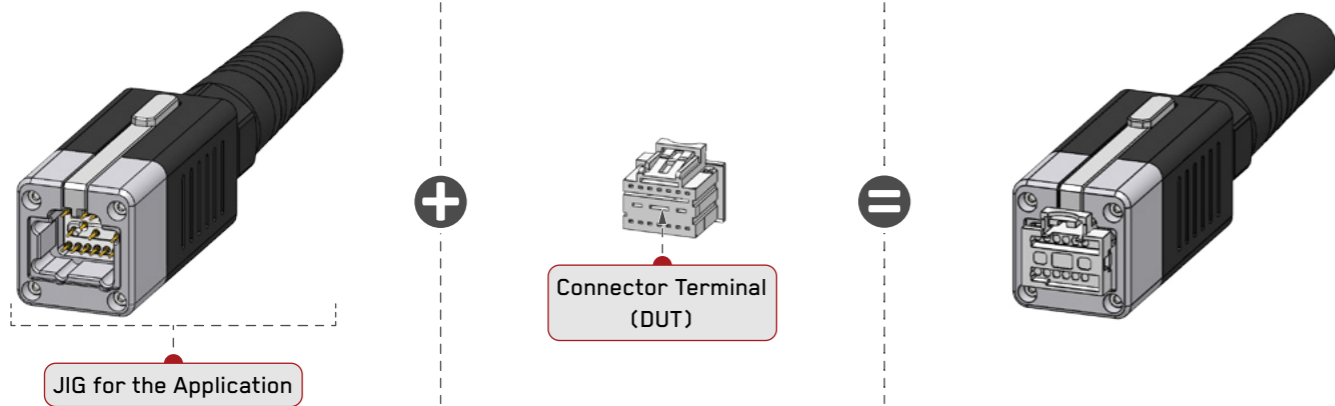
1	2	3
Receptacle (Socket)	Test Probe	Terminal Nr.
RCT079 SR04	TT1003 RA03 N	1J0973119

Tools for RCT079 SR04		Tools for RCT052 QR03	
Insertion Bit / Handle TBR10036 / TH1	Extraction Bit / Handle TBR10071 / TH2	Insertion Bit / Handle TBR7535 / TH1	Extraction Bit / Handle TBR7570 / TH2
Tools for TT1003 RA03 N		Tools for SWT750 FA03 M	
Insertion Bit / Handle TBT10079 / TH3	Extraction Bit / Handle TBT10079 / TH3	Insertion Bit / Handle TBT7570/ TH3	Extraction Bit / Handle TBT7571 / TH3

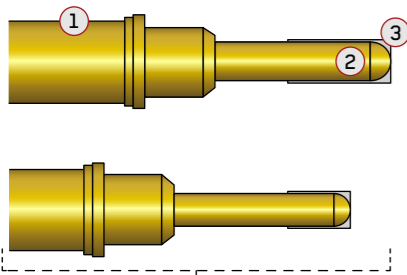


DUT Number	O4C 907 660 A	General Information
DUT Manufacturer	OEM	Jig Type: Hand Operated Test Jig Shape Design: L-Shaped design
Receptacle(s) + Test Probe(s)	RCT079 SR04 + TT1003 CG02 N (5A)	
Cable Gland Size	M10 x 1.0	

DUT Number	1J0973119	General Information
DUT Manufacturer	OEM	Jig Type: Hand Operated Test Jig
Receptacle(s) + Test Probe(s)	RCT079 SR04 + TT1003 RA03 N (5A) RCT052 QR03 + SWT750 FA03 M (4A)	
Cable Gland Size	M12 x 1.5	



EXPLANATORY FIGURE VIEW



Equip-Test Spring Loaded Probe connects to DUT Terminal

1	2	3
Receptacle (Socket)	Test Probe	Terminal Nr.
RCT079 SR08	TT1005 RA07 MX	4F0972483B

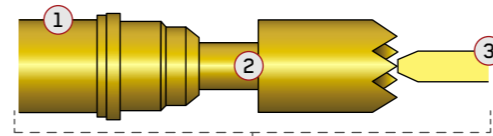
Streamlining OEM Connector Testing: OEM4F0972483B - JIG

The OEM4F0972483B - JIG is a hand operated Test Jig designed for accurate and versatile testing of OEM connectors. Built with precision and ease of use in mind, it is ideal for laboratories, quality assurance, and low-volume production environments. This Jig features two threaded Equip-Test contact Test Probes:

- TT1005 RA07 MX rated for up to 5A
- TT1005 RB06 M rated for up to 5A

For additional safety and reliable engagement verification, the Jig includes a threaded switch probe SWT1005 IW93 M from Equip-Test, ensuring secure and controlled testing. A built-in cable gland provides safe and organized cable management, with strain relief for long-term durability.

EXPLANATORY FIGURE VIEW



Equip-Test Spring Loaded Probe connects to DUT Terminal

1	2	3
Receptacle (Socket)	Test Probe	Terminal Nr.
RCT079 SR08	TT1005 CG07 MX	6X0 973 817

Streamlining OEM Connector Testing: OEM6X0 973 817 - JIG

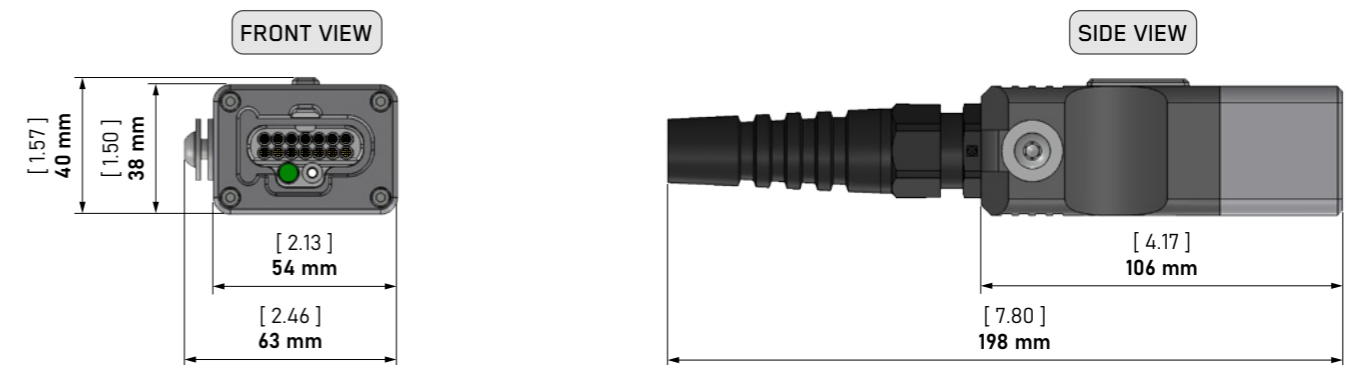
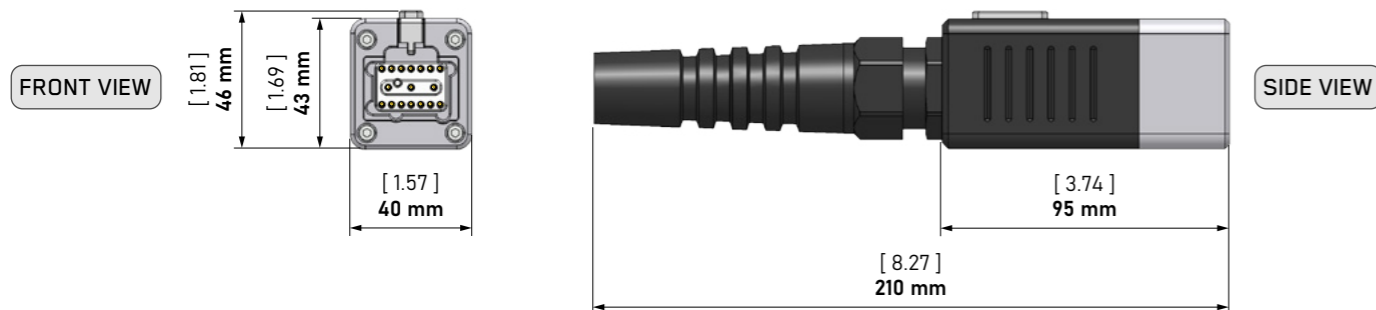
The OEM6X0 973 817 - JIG is a hand operated two-pole Test Jig designed for precise and efficient testing of OEM connectors. Its practical and durable design makes it ideal for laboratories, quality assurance, and small-scale production environments.

Equipped with a threaded Equip-Test contact Test Probe TT1005 CG07 MX rated for up to 5A, the Jig ensures reliable and consistent electrical connections. To further enhance safety and accuracy, it features a threaded switch probe SWT1400 IW93 S from Equip-Test, providing dependable contact verification during the testing process.

An integrated cable gland allows for secure cable routing and effective strain relief, keeping the setup organized and long-lasting.

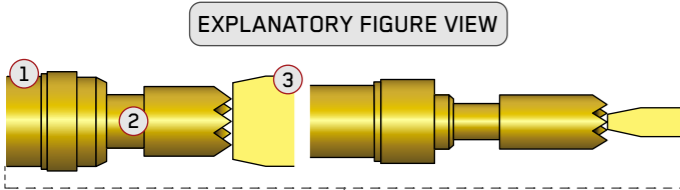
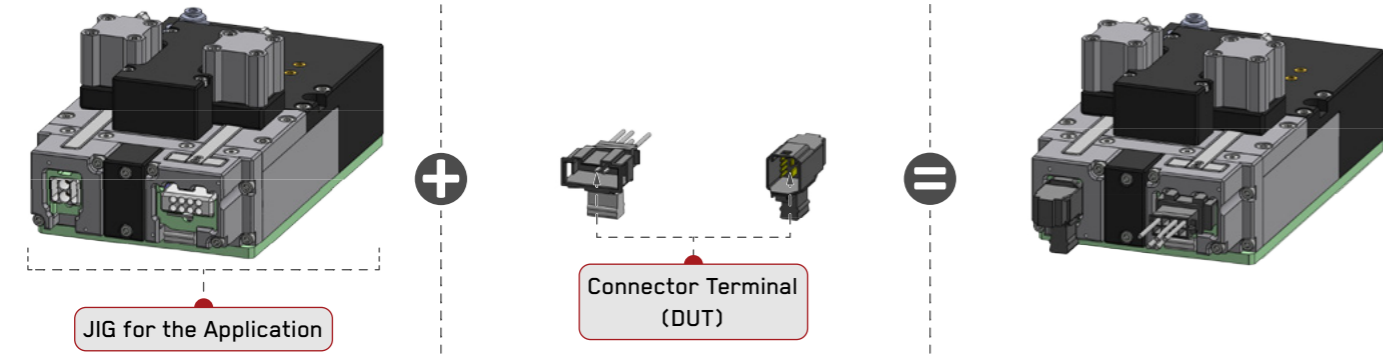
Tools for RCT079 SR08		Tools for RCT079 SR08		Tools for RCT079 QE03	
Insertion Bit / Handle	Extraction Bit / Handle	Insertion Bit / Handle	Extraction Bit / Handle	Insertion Bit / Handle	Extraction Bit / Handle
TBR10036 / TH1	TBR10071 / TH2	TBR10036 / TH1	TBR10071 / TH2	TBR10036 / TH1	TBR10071 / TH2
Tools for TT1005 RA07 MX		Tools for TT1005 RB06 MX		Tools for SWT1005 IW93 M	
Insertion Bit / Handle	Extraction Bit / Handle	Insertion Bit / Handle	Extraction Bit / Handle	Insertion Bit / Handle	Extraction Bit / Handle
TBT10079 / TH3	TBT10079 / TH3	TBT10079 / TH3	TBT10079 / TH3	TBT10079 / TH3	TBT10079 / TH3

Tools for RCT118 QR03		Tools for RCT118 QR03	
Insertion Bit / Handle	Extraction Bit / Handle	Insertion Bit / Handle	Extraction Bit / Handle
TBR16035 / TH1	TBR16070 / TH2	TBR16035 / TH1	TBR16070 / TH2
Tools for TT1005 CG07 MX		Tools for SWT1400 IW93 S	
Insertion Bit / Handle	Extraction Bit / Handle	Insertion Bit / Handle	Extraction Bit / Handle
TBT10079 / TH3	TBT10079 / TH3	TBT14072 / TH3	TBT14072 / TH3



DUT Number	4F0972483B	General Information
DUT Manufacturer	OEM	Jig Type: Hand Operated Test Jig
Receptacle(s) + Test Probe(s)	RCT079 SR08 + TT1005 RA07 MX (5A)	
	RCT079 SR08 + TT1005 RB06 MX (5A) RCT079 QE03 + SWT1005 IW93 M (3A)	
Cable Gland Size	M25 x 1.5	

DUT Number	6X0 973 817	General Information
DUT Manufacturer	OEM	Jig Type: Hand Operated Test Jig
Receptacle(s) + Test Probe(s)	RCT079 SR08 + TT1005 CG07 MX (5A)	
	RCT118 QR03 + SWT1400 IW93 S (5A)	
Cable Gland Size	M20 x 1.5	



Equip-Test Spring Loaded Probe connects to DUT Terminal

Streamlining OEM Connector Testing: OEM7PO 972 735 - JIG

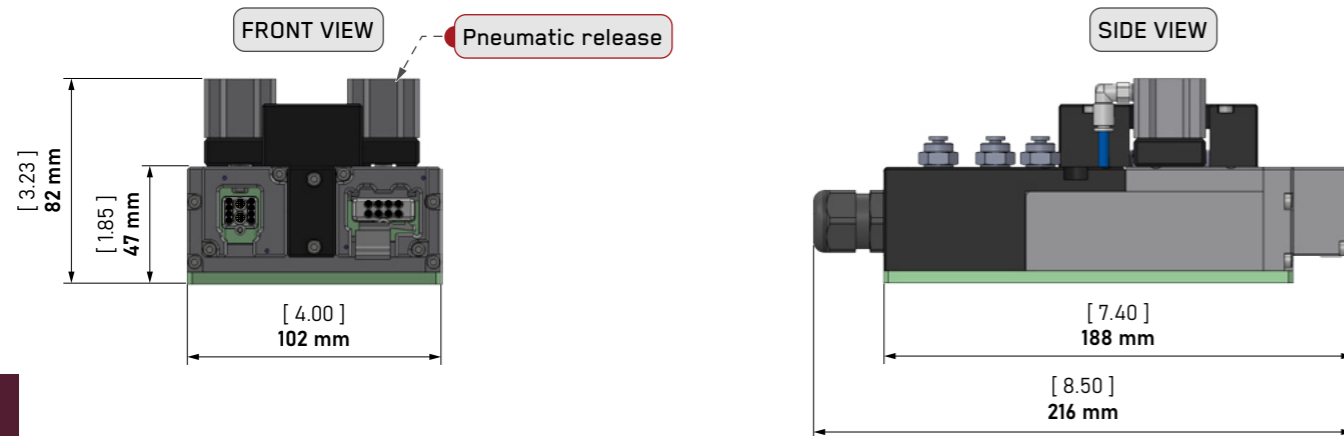
The OEM7PO 972 735 - JIG is a high-performance TestJig for OEM connectors with a dual-cylinder pneumatic release. It supports two DUT connections:

- 24A high-current probe HCT1600 CG04 MX
- 5A standard probe TT1005 CG55 MX

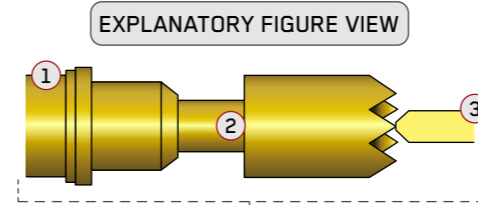
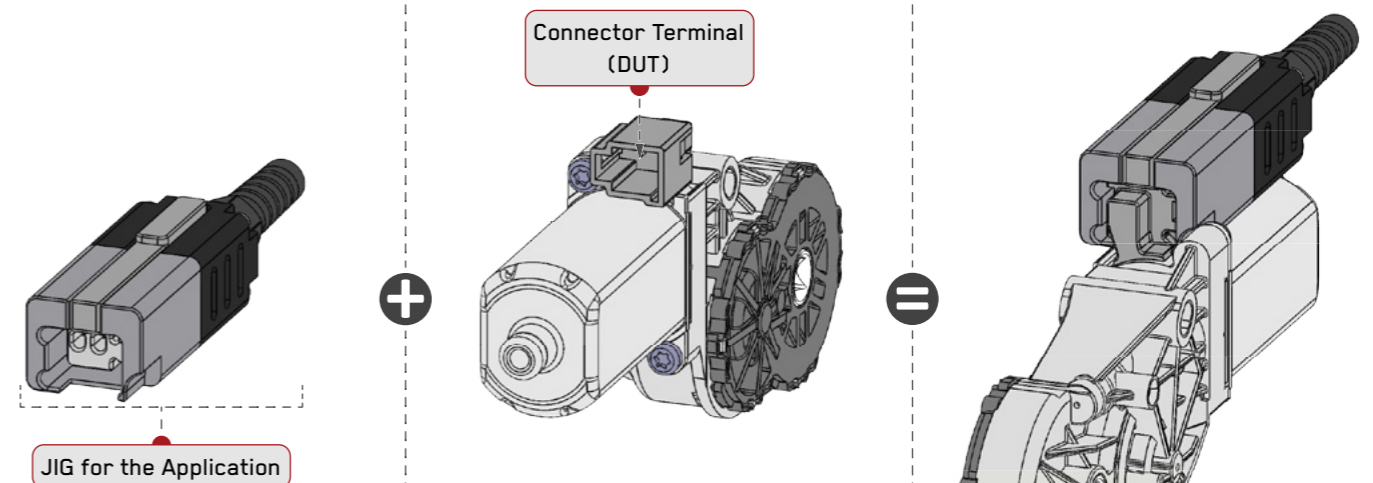
For safety and precise operation, it includes a switch probe SWT1005 IW93 M. A built-in cable gland provides secure cable management and strain relief, ensuring a clean and durable setup.

1	2	3
Receptacle (Socket)	Test Probe	Terminal Nr.
RCT118 SR05	HCT1600 CG04 MX	7PO 972 735

Tools for RCT118 SR05		Tools for RCT079 QE03		Tools for RCT079 SR08	
Insertion Bit / Handle	Extraction Bit / Handle	Insertion Bit / Handle	Extraction Bit / Handle	Insertion Bit / Handle	Extraction Bit / Handle
TBR16035 / TH1	TBR16070 / TH2	TBR10036 / TH1	TBR10071 / TH2	TBR10036 / TH1	TBR10071 / TH2
Tools for HCT1600 CG04 MX		Tools for SWT1005 IW93 M		Tools for TT1005 CG55 MX	
Insertion Bit / Handle	Extraction Bit / Handle	Insertion Bit / Handle	Extraction Bit / Handle	Insertion Bit / Handle	Extraction Bit / Handle
TBT16073 / TH3	TBT16073 / TH3	TBT10079 / TH3	TBT10079 / TH3	TBT10079 / TH3	TBT10079 / TH3



DUT Number	7PO 972 735	General Information
DUT Manufacturer	OEM	
Receptacle(s) + Test Probe(s)	RCT118 SR05 + HCT1600 CG04 MX (24A)	Jig Type: Hand Operated Test Jig
	RCT079 SR08 + TT1005 CG55 MX (5A)	Locking Mechanism: Pneumatic locking mechanism
	RCT079 QE03 + SWT1005 IW93 M (5A)	
Cable Gland Size	M20 x 1.5	



Equip-Test Spring Loaded Probe connects to DUT Terminal

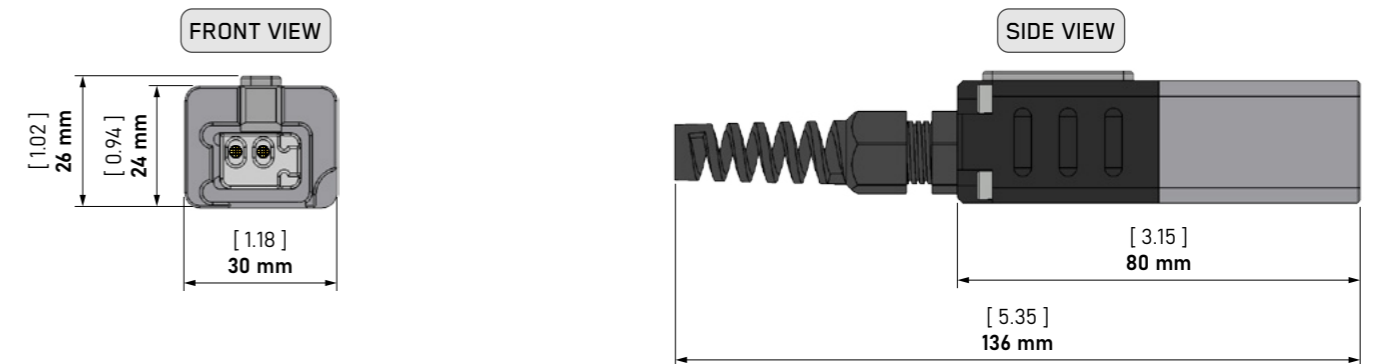
Streamlining OEM Connector Testing: OEM850 972 705 - JIG

The OEM850 972 705 - JIG is a hand operated Test Jig designed for precise and dependable testing of OEM connectors. Built with a focus on reliability and ease of use, it is well-suited for laboratories, quality control stations, and small-scale production environments.

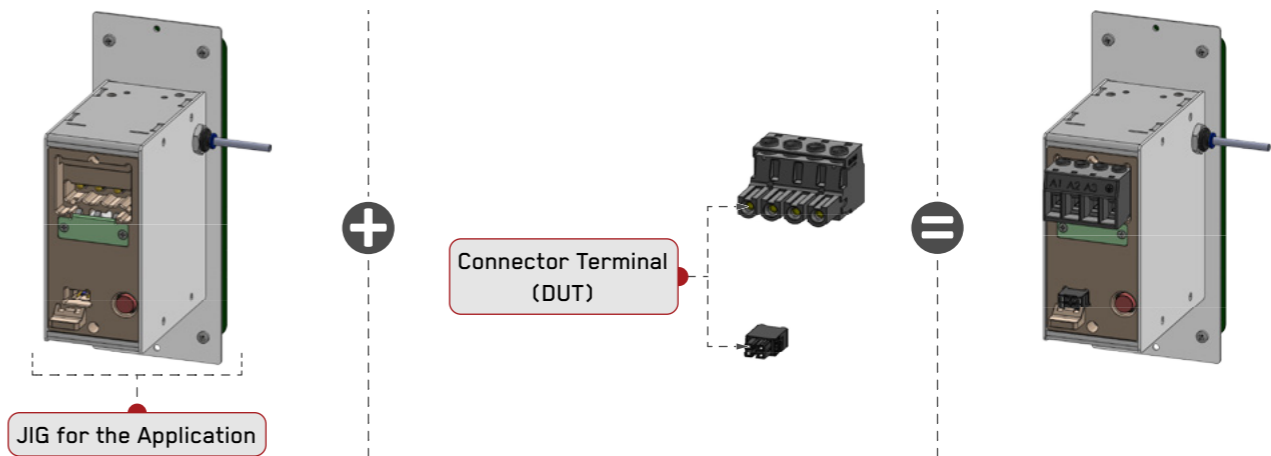
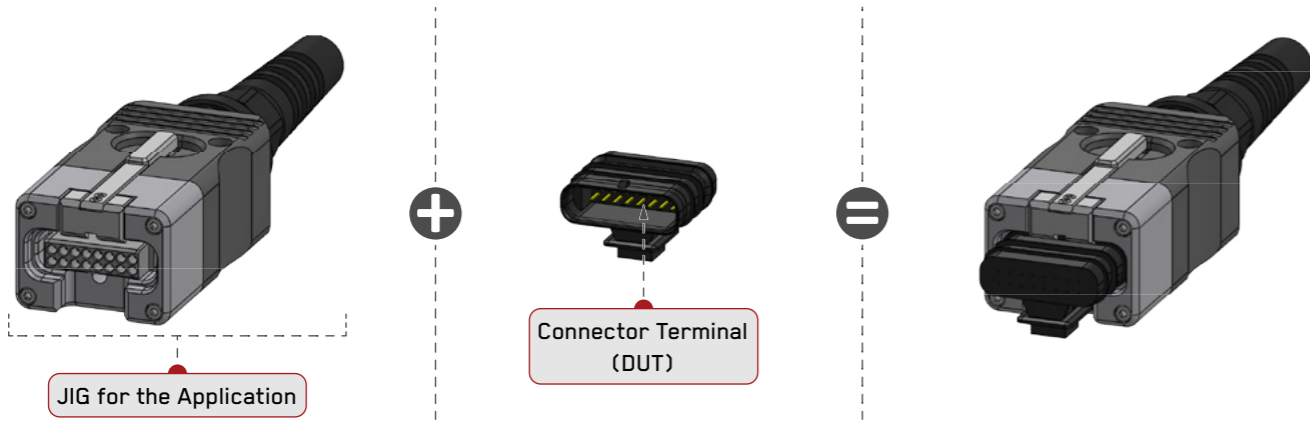
Equipped with a threaded Equip-Test contact Test Probe TT1005 CG07 MX rated for up to 5A, this Jig ensures secure and stable electrical connections, delivering consistent performance throughout the testing process.

1	2	3
Receptacle (Socket)	Test Probe	Terminal Nr.
RCT079 SR18	TT1005 CG07 MX	850 972 705

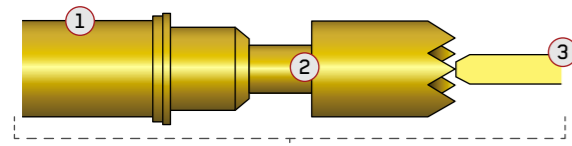
Tools for RCT079 SR18	
Insertion Bit / Handle	Extraction Bit / Handle
TBR10036 / TH1	TBR10071 / TH2
Tools for TT1005 CG07 MX	
Insertion Bit / Handle	Extraction Bit / Handle
TBT10079 / TH3	TBT10079 / TH3



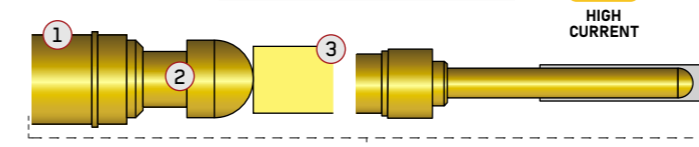
DUT Number	850 972 705	General Information
DUT Manufacturer	OEM	
Receptacle(s) + Test Probe(s)	RCT079 SR18 + TT1005 CG07 MX (5A)	Jig Type: Mountable Test Jig
Cable Gland Size	M12	



EXPLANATORY FIGURE VIEW



EXPLANATORY FIGURE VIEW



Streamlining OEM Connector Testing: OEMA 000 153 45 24 - JIG

The OEMA 000 153 45 24 - JIG is a hand operated Test Jig designed for accurate and reliable testing of OEM connectors. Compact and user-friendly, it is ideal for laboratory use, quality inspection, and small-scale production environments. This Jig is equipped with a threaded Equip-Test contact Test Probe TT1005 CG07 MX rated for up to 5A, ensuring stable and consistent electrical connections. For added safety and precision, it features a threaded switch probe SWT1400 IW93 S from Equip-Test, providing dependable engagement verification during testing.

Streamlining Phoenix Contact Connector Testing: PHOENIXPC-16-4-ST-10-16BK - JIG

The PHOENIXPC-16-4-ST-10-16BK - JIG is a specialized Test Jig for Phoenix Contact connectors, designed for versatile and reliable testing. It supports two DUT connections:

- 50A high-current probe HCT2000 RA03 M for power applications
- 5A standard probe TT1005 RA07 MX

A threaded switch probe SWT1005 IW93 M ensures secure and verified engagement during testing.

Equip-Test Spring Loaded Probe connects to DUT Terminal

Equip-Test Spring Loaded Probe connects to DUT Terminal

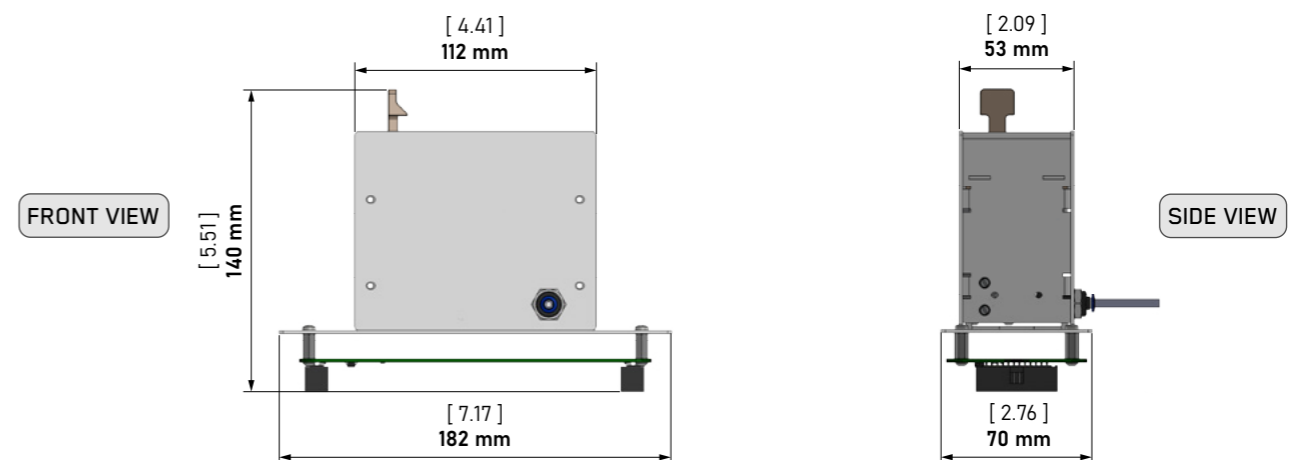
1	2	3
Receptacle (Socket)	Test Probe	Terminal Nr.
RCT079 SR08	TT1005 CG07 MX	A 000 153 45 24

1	2	3
Receptacle (Socket)	Test Probe	Terminal Nr.
RCT079 SR08	TT1005 RA07 MX	PC-16-4-ST-10-16BK

Tools for RCT079 SR08		Tools for RCT118 QR04	
Insertion Bit / Handle	Extraction Bit / Handle	Insertion Bit / Handle	Extraction Bit / Handle
TBR10036 / TH1	TBR10071 / TH2	TBR16035 / TH1	TBR16070 / TH2
Tools for TT1005 CG07 MX		Tools for SWT1400 IW93 S	
Insertion Bit / Handle	Extraction Bit / Handle	Insertion Bit / Handle	Extraction Bit / Handle
TBT10079 / TH3	TBT10079 / TH3	TBT14072 / TH3	TBT14072 / TH3

A built-in cable gland secures cable routing and provides strain relief, keeping the setup organized, safe, and durable for long-term use.

Tools for RCT157 SR04		Tools for RCT079 SR08		Tools for RCT079 QE03	
Insertion Bit / Handle	Extraction Bit / Handle	Insertion Bit / Handle	Extraction Bit / Handle	Insertion Bit / Handle	Extraction Bit / Handle
TBR20035 / TH1	TBR20070 / TH2	TBR10036 / TH1	TBR10071 / TH2	TBR10036 / TH1	TBR10071 / TH2
Tools for HCT2000 RA03 M		Tools for TT1005 RA07 MX		Tools for SWT1005 IW93 M	
Insertion Bit / Handle	Extraction Bit / Handle	Insertion Bit / Handle	Extraction Bit / Handle	Insertion Bit / Handle	Extraction Bit / Handle
TBT20070 / TH3	TBT20070 / TH3	TBT10079 / TH3	TBT10079 / TH3	TBT10079 / TH3	TBT10079 / TH3

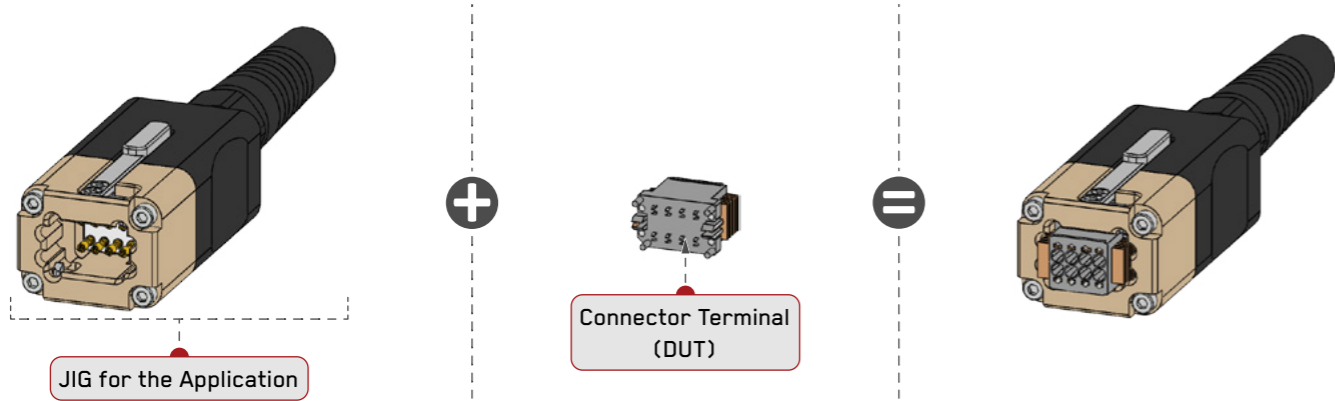


DUT Number	A 000 153 45 24	General Information
DUT Manufacturer	OEM	
Receptacle(s) + Test Probe(s)	RCT079 SR08 + TT1005 CG07 MX (5A)	
	RCT118 QR04 + SWT1400 IW93 S (5A)	
Cable Gland Size	M20 x 1.5	
		Jig Type: Hand Operated Test Jig
		Optional Configuration: Optional LED ring or DUMMY LED ring

DUT Number	PC-16-4-ST-10-16BK	General Information
DUT Manufacturer	Phoenix Contact	
Receptacle(s) + Test Probe(s)	RCT157 SR04 + HCT2000 RA03 M (50A)	
	RCT079 SR08 + TT1005 RA07 MX (5A)	
	RCT079 QE03 + SWT1005 IW93 M (3A)	
Cable Gland Size	Without Cable Gland	Jig Type: Mountable Test Jig

PHOENIX CONTACT

ROSENBERGER



Streamlining Phoenix Contact Connector Testing: PHOENIXSDDC 1.5/3PV-3.5 - JIG

The PHOENIXSDDC 1.5/3PV-3.5 - JIG is a hand operated Test Jig designed for precise and dependable testing of Phoenix Contact connectors. Compact and ergonomic, it provides an excellent solution for laboratory use, quality inspection, and small-scale production environments.

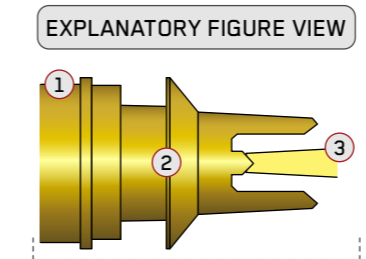
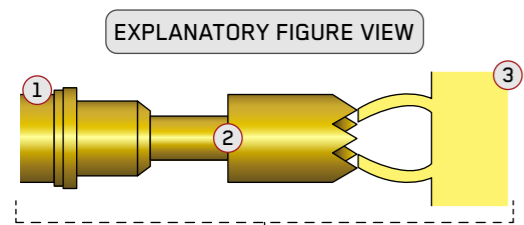
This Jig features a PEEK material nest for enhanced thermal and mechanical resistance. Equipped with a threaded Equip-Test contact Test Probe TT1005 CG07 MX rated for up to 5A.

This Jig ensures stable and reliable electrical connections, guaranteeing consistent performance during the entire testing process.

Streamlining Rosenberger Connector Testing: ROSENBERGER59Z163-003F - JIG

The ROSENBERGER59Z163-003F - JIG is a hand operated Test Jig developed for precise and reliable testing of Rosenberger connectors, specifically tailored for radio frequency (RF) applications.

It features an Equip-Test RF contact probe RFT6 MCX 0004 S rated for up to 3A, ensuring stable and accurate connections in high-frequency environments. For additional operational safety and engagement verification, the jig includes a threaded switch probe SWT1005 IW93 M from Equip-Test, providing dependable contact validation during each test cycle.



Equip-Test Spring Loaded Probe connects to DUT Terminal

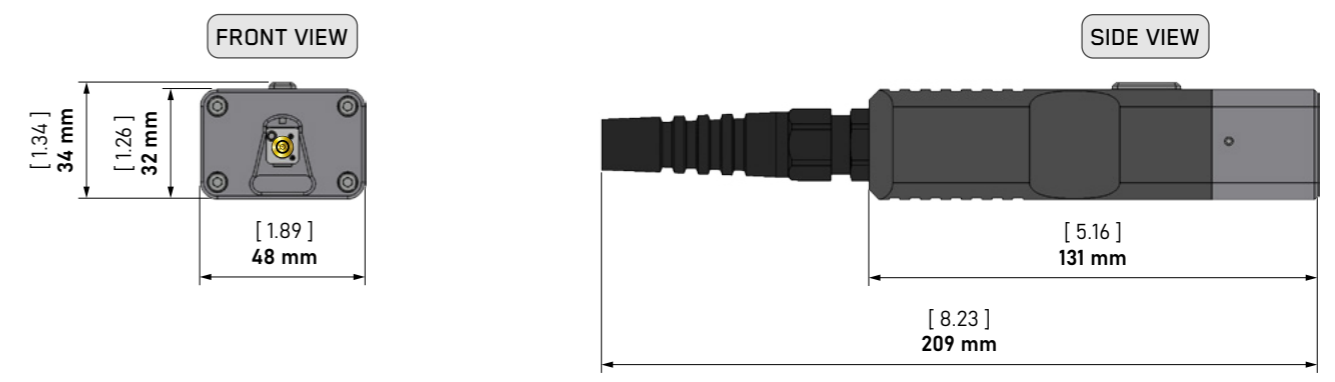
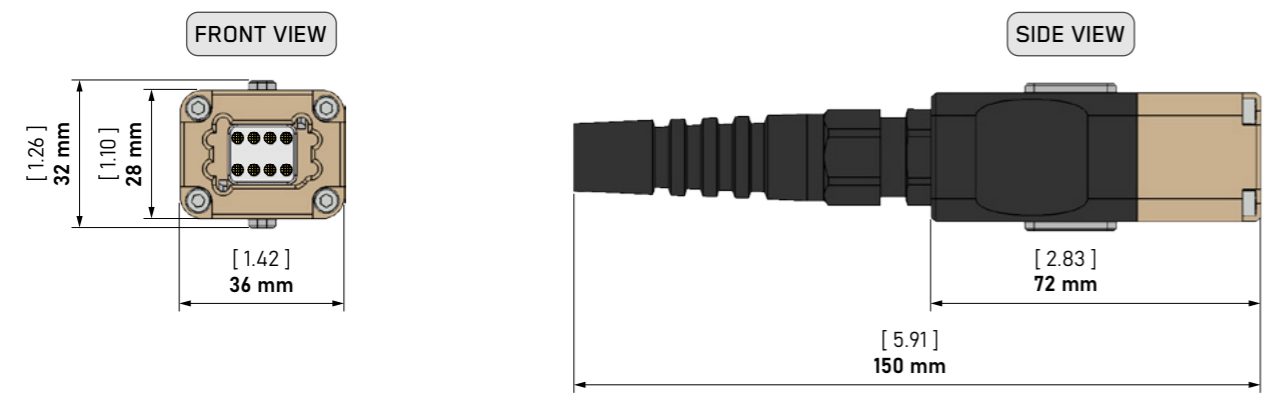
Equip-Test Spring Loaded Probe connects to DUT Terminal

1	2	3
Receptacle (Socket)	Test Probe	Terminal Nr.
RCT079 SR18	TT1005 CG07 M	SDDC 1.5/3PV-3.5

1	2	3
Receptacle (Socket)	Test Probe	Terminal Nr.
RRFT 1	RFT6 MCX 0004 S	59Z163-003F

Tools for RCT079 SR18	
Insertion Bit / Handle TBR10036 / TH1	Extraction Bit / Handle TBR10071 / TH2
Tools for TT1005 CG07 M	
Insertion Bit / Handle TBT10079 / TH3	Extraction Bit / Handle TBT10079 / TH3

Tools for RFT6 MCX 0004 S		Tools for RCT079 QE03	
Insertion Bit / Handle TBT25072 / TH3	Extraction Bit / Handle TBT25072 / TH3	Insertion Bit / Handle TBR10036 / TH1	Extraction Bit / Handle TBR10071 / TH2
Tools for SWT1005 IW93 M			
Insertion Bit / Handle TBT10079 / TH3	Extraction Bit / Handle TBT10079 / TH3		

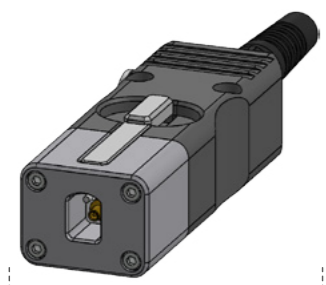


DUT Number	SDDC 1.5/3PV-3.5	General Information
DUT Manufacturer	Phoenix Contact	Jig Type: Hand Operated Test Jig
Receptacle(s) + Test Probe(s)	RCT079 SR18 + TT1005 CG07 M (5A)	
Cable Gland Size	M16 x 1.5	

DUT Number	59Z163-003F	General Information
DUT Manufacturer	Rosenberger (FAKRA)	Jig Type: Hand Operated Test Jig
Receptacle(s) + Test Probe(s)	RRFT 1 + RFT6 MCX 0004 S (3A) RCT079 QE03 + SWT1005 IW93 M (3A)	
Cable Gland Size	M16 x 1.5	

PHOENIXSDDC 1.5/3PV-3.5 - JIG

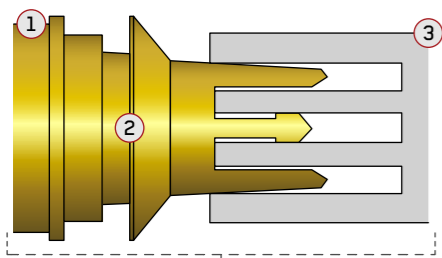
ROSENBERGER59Z163-003F - JIG



JIG for the Application

Connector Terminal (DUT)

EXPLANATORY FIGURE VIEW



Equip-Test Spring Loaded Probe connects to DUT Terminal

Streamlining Rosenberger Connector Testing: ROSENBERGER59Z163-DCO-F - JIG

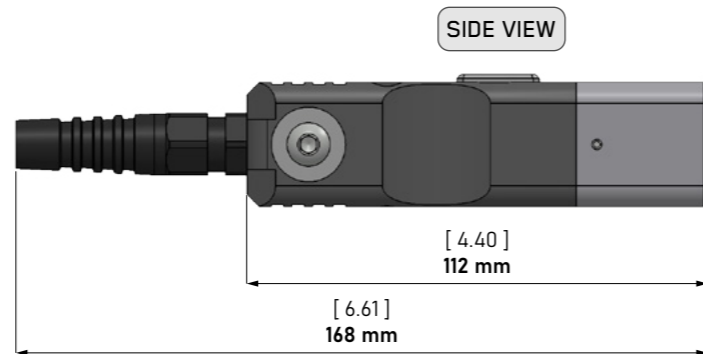
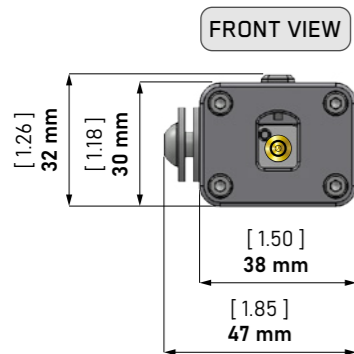
The ROSENBERGER59Z163-DCO-F - JIG is a hand operated Test Jig engineered for precise and reliable testing of Rosenberger connectors, featuring a specialized design for enhanced contact accuracy in radio frequency (RF) applications.

It is equipped with an Equip-Test RF probe RFT6 MCX 0004 S rated for up to 3A, ensuring stable, high-quality signal and power connections. To guarantee secure and verified engagement, the jig also includes a threaded switch probe SWT1005 IW93 M from Equip-Test.

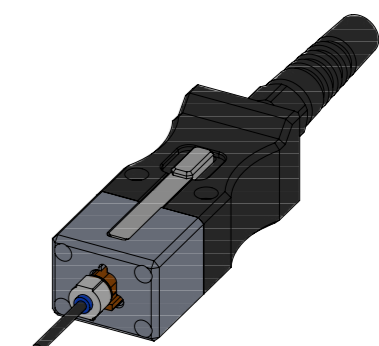
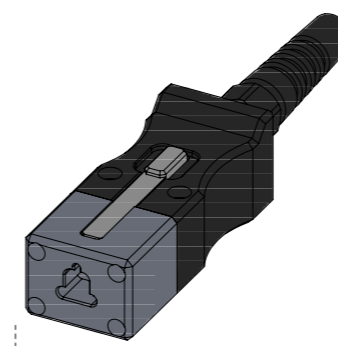
For convenience and durability, a rear end mounted cable gland is integrated, providing secure cable routing and strain relief for long-term, dependable operation.

1	2	3
Receptacle (Socket)	Test Probe	Terminal Nr.
RRFT 1	RFT6 MCX 0004 S	59Z163-DCO-F

Tools for RFT6 MCX 0004 S		Tools for RCT079 QE03	
Insertion Bit / Handle TBT25072 / TH3	Extraction Bit / Handle TBT25072 / TH3	Insertion Bit / Handle TBR10036 / TH1	Extraction Bit / Handle TBR10071 / TH2
Tools for SWT1005 IW93 M			
Insertion Bit / Handle TBT10079 / TH3	Extraction Bit / Handle TBT10079 / TH3		



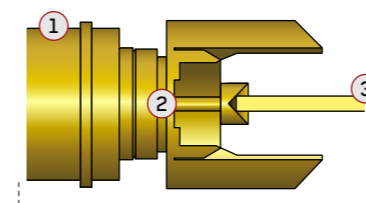
DUT Number	59Z163-DCO-F	General Information
DUT Manufacturer	Rosenberger (FAKRA)	Jig Type: Hand Operated Test Jig
Receptacle(s) + Test Probe(s)	RRFT 1 + RFT6 MCX 0004 S (3A) RCT079 QE03 + SWT1005 IW93 M (3A)	
Cable Gland Size	M12 x 1.5	



JIG for the Application

Connector Terminal (DUT)

EXPLANATORY FIGURE VIEW



Equip-Test Spring Loaded Probe connects to DUT Terminal

Streamlining Rosenberger Connector Testing: ROSENBERGER59Z176-C01 - JIG

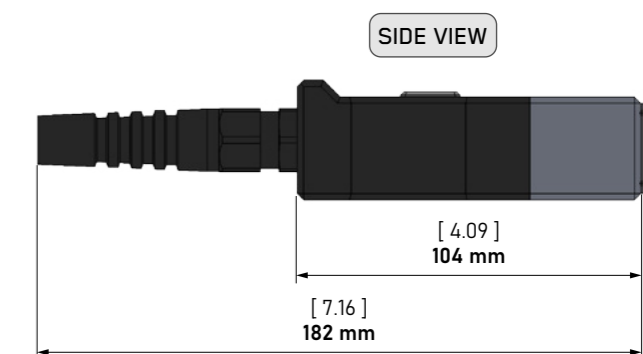
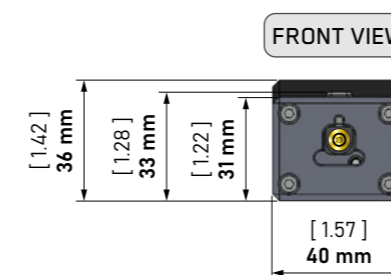
The ROSENBERGER59Z176-C01 - JIG is a hand operated Test Jig designed for high-precision testing of Rosenberger connectors, optimized for radio frequency (RF) applications.

It features an Equip-Test RF probe RFT6 MCX 0001 S rated for up to 5A, ensuring robust and stable connections for demanding RF and power testing environments. For added safety and precise engagement validation, the Jig integrates a threaded switch probe SWT1400 IW93 LS from Equip-Test, delivering reliable contact verification.

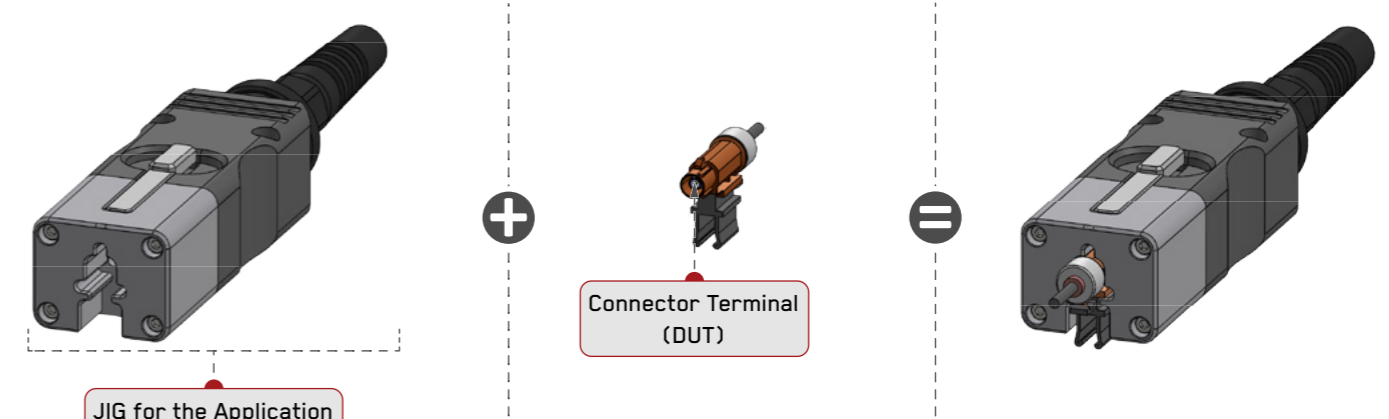
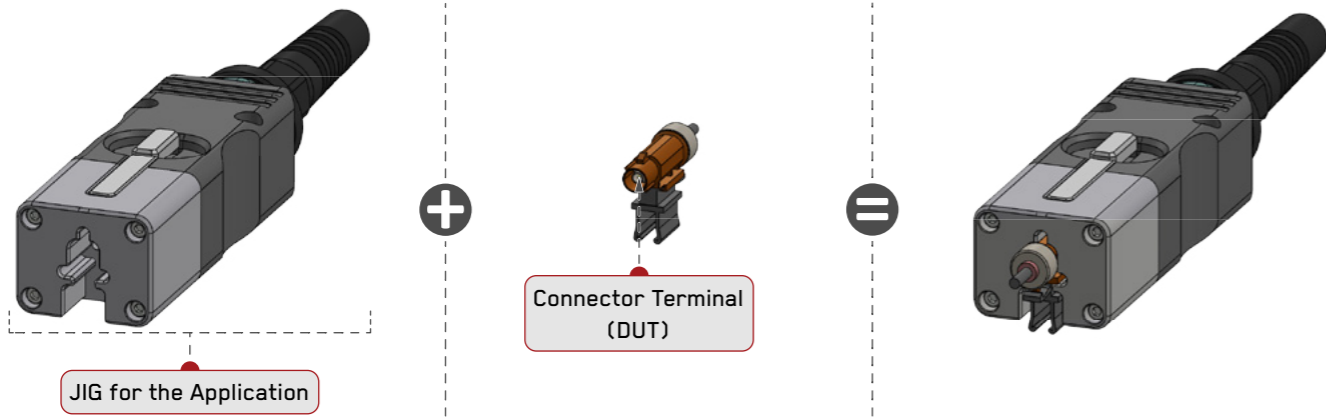
A built-in cable gland ensures safe, organized cable routing with effective strain relief, enhancing durability and long-term performance.

1	2	3
Receptacle (Socket)	Test Probe	Terminal Nr.
RRFT1	RFT6 MCX 0001 S	59Z176-C01

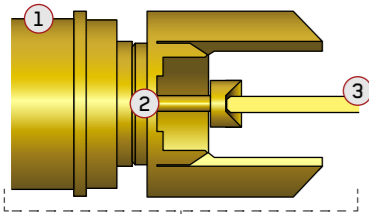
Tools for RFT6 MCX 0001 S		Tools for RCT118 QR03	
Insertion Bit / Handle TBT25072 / TH3	Extraction Bit / Handle TBT25072 / TH3	Insertion Bit / Handle TBR16035 / TH1	Extraction Bit / Handle TBR16070 / TH2
Tools for SWT1400 IW93 LS			
Insertion Bit / Handle TBT14072 / TH3	Extraction Bit / Handle TBT14072 / TH3		



DUT Number	59Z176-C01	General Information
DUT Manufacturer	Rosenberger (FAKRA)	Jig Type: Hand Operated Test Jig
Receptacle(s) + Test Probe(s)	RRFT 1 + RFT6 MCX 0001 S (5A) RCT118 QR03 + SWT1400 IW93 LS (5A)	
Cable Gland Size	M16 x 1.5	



EXPLANATORY FIGURE VIEW



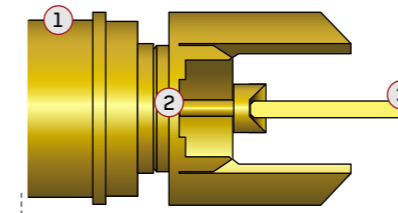
Streamlining Rosenberger Connector Testing: ROSENBERGER59Z176-C01-C - JIG

The ROSENBERGER59Z176-C01-C - JIG is a hand operated Test Jig designed for high-precision testing of Rosenberger connectors, optimized for radio frequency (RF) applications. It features an Equip-Test RF probe RFT6 MCX 0001 S rated for up to 5A, ensuring robust and stable connections for demanding RF and power testing environments. For added safety and precise engagement validation, the Jig integrates a threaded switch probe SWT1400 IW93 LS from Equip-Test, delivering reliable contact verification.

An integrated LED ring provides clear visual feedback during testing, reducing errors.

A built-in cable gland ensures safe, organized cable routing with effective strain relief, enhancing durability and long-term performance.

EXPLANATORY FIGURE VIEW



Streamlining Rosenberger Connector Testing: ROSENBERGER59Z176-C01-F - JIG - 01

The ROSENBERGER59Z176-C01-F - JIG-01 is a mountable Test Jig designed for high-precision testing of Rosenberger connectors, offering reliability and consistency for laboratory, production, and quality control environments.

It features an Equip-Test RF probe RFT6 MCX 0001 S rated for up to 3A, delivering stable and accurate RF and power connections. To ensure secure and verified engagement, the Jig includes a threaded switch probe SWT1005 IW93 M from Equip-Test, providing dependable contact confirmation during each testing cycle.

Additionally, a rear-mounted cable gland is integrated for safe and organized cable management, ensuring durability and long-term operational reliability.

Equip-Test Spring Loaded Probe connects to DUT Terminal

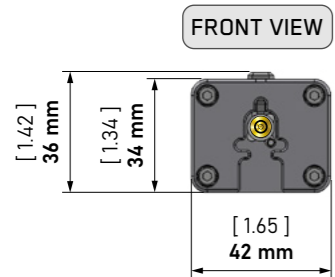
1	2	3
Receptacle (Socket)	Test Probe	Terminal Nr.
RRFT 1	RFT6 MCX 0001 S	59Z176-C01-C

Equip-Test Spring Loaded Probe connects to DUT Terminal

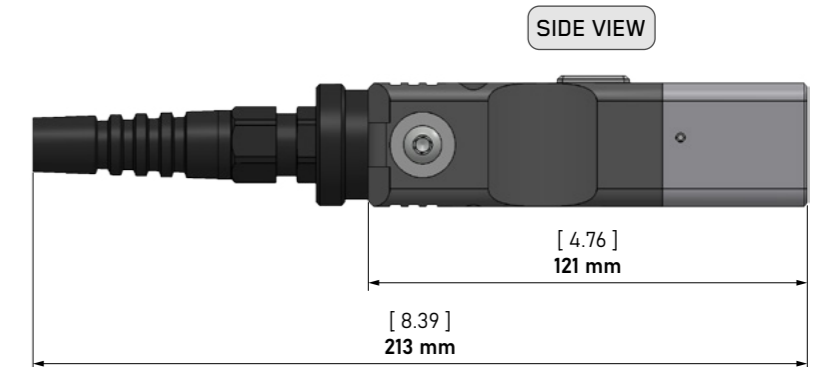
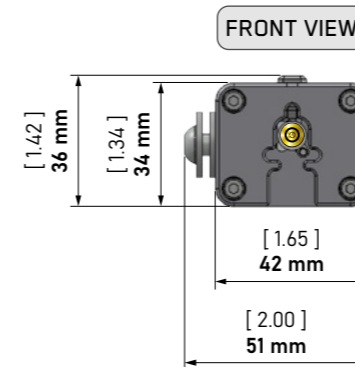
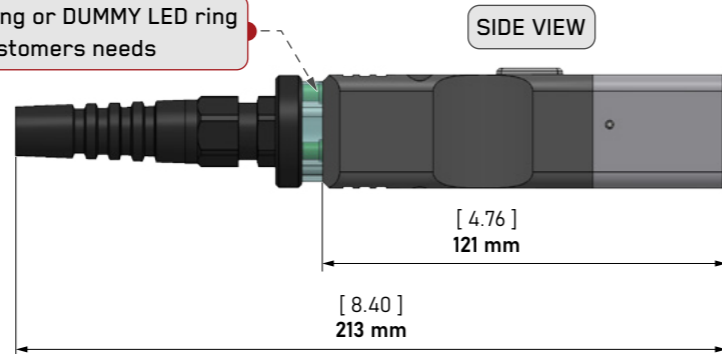
1	2	3
Receptacle (Socket)	Test Probe	Terminal Nr.
RRFT 1	RFT6 MCX 0001 S	59Z176-C01-F

Tools for RFT6 MCX 0001 S		Tools for RCT079 QE03	
Insertion Bit / Handle TBT25072 / TH3	Extraction Bit / Handle TBT25072 / TH3	Insertion Bit / Handle TBR10036 / TH1	Extraction Bit / Handle TBR10071 / TH2
Tools for SWT1005 IW93 M			
Insertion Bit / Handle TBT10079 / TH3	Extraction Bit / Handle TBT10079 / TH3		

Tools for RFT6 MCX 0001 S		Tools for RCT079 QE03	
Insertion Bit / Handle TBT25072 / TH3	Extraction Bit / Handle TBT25072 / TH3	Insertion Bit / Handle TBR10036 / TH1	Extraction Bit / Handle TBR10071 / TH2
Tools for SWT1005 IW93 M			
Insertion Bit / Handle TBT10079 / TH3	Extraction Bit / Handle TBT10079 / TH3		

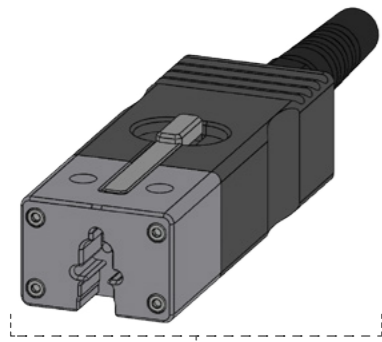


Optional LED ring or DUMMY LED ring according to customers needs

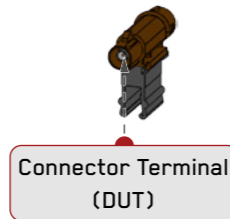


DUT Number	59Z176-C01-C (5QF 035 575 B)	General Information
DUT Manufacturer	Rosenberger (FAKRA)	Jig Type: Hand Operated Test Jig Optional Configuration: Optional LED ring or DUMMY LED ring
Receptacle(s) + Test Probe(s)	RRFT 1 + RFT6 MCX 0001 S (3A) RCT079 QE03 + SWT1005 IW93 M (3A)	
Cable Gland Size	M16 x 1.5	

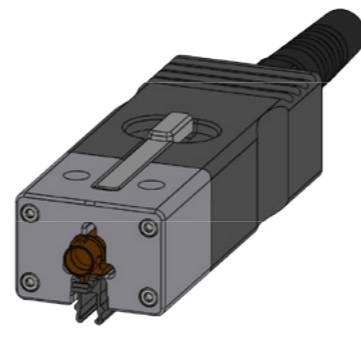
DUT Number	59Z176-C01-F	General Information
DUT Manufacturer	Rosenberger (FAKRA)	Jig Type: Hand Operated Test Jig
Receptacle(s) + Test Probe(s)	RRFT 1 + RFT6 MCX 0001 S (3A) RCT079 QE03 + SWT1005 IW93 M (3A)	
Cable Gland Size	M16 x 1.5	



+

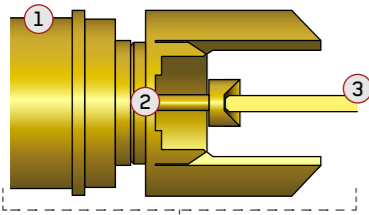


=



JIG for the Application

EXPLANATORY FIGURE VIEW



Equip-Test Spring Loaded Probe connects to DUT Terminal

Streamlining Rosenberger Connector Testing: ROSENBERGER59Z176-C01-F - JIG - 02

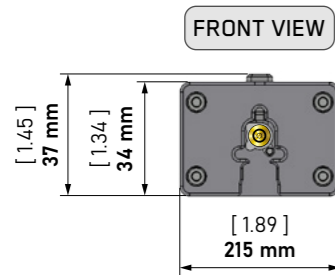
The ROSENBERGER59Z176-C01-F - JIG - 02 is a mountable Test Jig designed for high-precision testing of Rosenberger connectors, offering reliability and consistency for laboratory, production, and quality control environments.

It features an Equip-Test RF probe RFT6 MCX 0001 S rated for up to 3A, delivering stable and accurate RF and power connections. To ensure secure and verified engagement, the jig includes a threaded switch probe SWT1005 IW93 M from Equip-Test, providing dependable contact confirmation during each testing cycle.

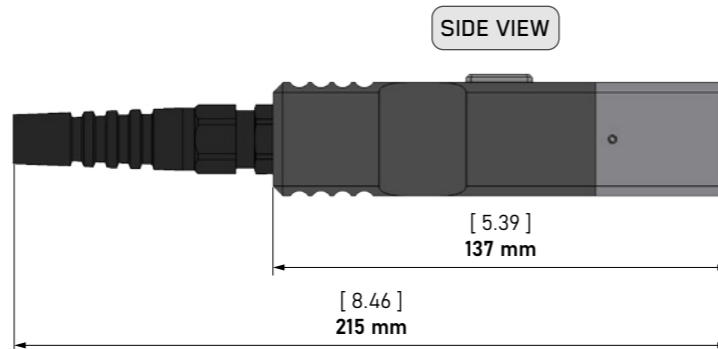
Additionally, a rear-mounted cable gland is integrated for safe and organized cable management, ensuring durability and long-term operational reliability.

1	2	3
Receptacle (Socket)	Test Probe	Terminal Nr.
RRFT 1	RFT6 MCX 0001 S	59Z176-C01-F

Tools for RFT6 MCX 0001 S		Tools for RCT079 QE03	
Insertion Bit / Handle TBT25072 / TH3	Extraction Bit / Handle TBT25072 / TH3	Insertion Bit / Handle TBR10036 / TH1	Extraction Bit / Handle TBR10071 / TH2
Tools for SWT1005 IW93 M			
Insertion Bit / Handle TBT10079 / TH3	Extraction Bit / Handle TBT10079 / TH3		

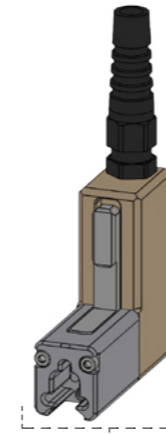


FRONT VIEW

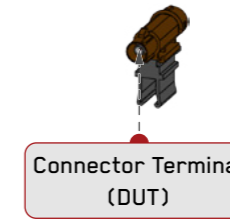


SIDE VIEW

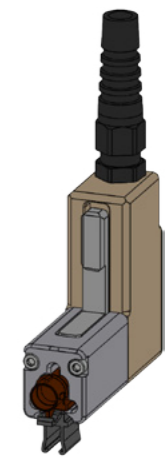
DUT Number	59Z176-C01-F	General Information
DUT Manufacturer	Rosenberger (FAKRA)	
Receptacle(s) + Test Probe(s)	RRFT 1 + RFT6 MCX 0001 S (3A) RCT079 QE03 + SWT1005 IW93 M (3A)	
Cable Gland Size	M16 x 1.5	
		Jig Type: Hand Operated Test Jig



+

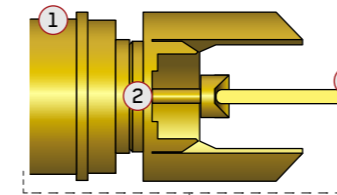


=



JIG for the Application

EXPLANATORY FIGURE VIEW



Equip-Test Spring Loaded Probe connects to DUT Terminal

Streamlining Rosenberger Connector Testing: ROSENBERGER59Z176-C01-F - JIG - LS

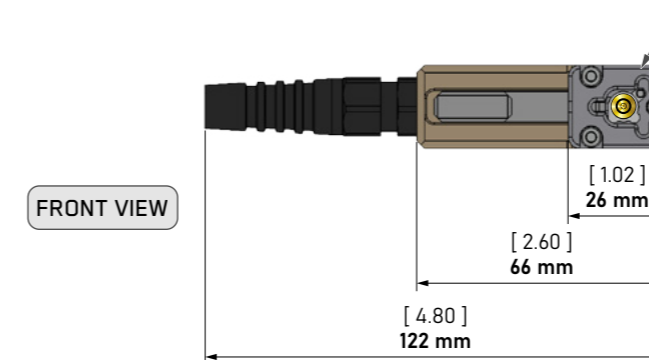
The ROSENBERGER59Z176-C01-F - JIG-LS is a hand operated, L-shaped Test Jig designed for precise and reliable testing of Rosenberger connectors, making it ideal for laboratory and production use where ergonomics and accuracy are essential.

It is equipped with an Equip-Test RF probe RFT6 MCX 0001 S rated for up to 3A, ensuring stable and accurate RF and power connections. For secure engagement verification, the jig integrates a threaded switch probe SWT1005 IW93 M from Equip-Test, delivering dependable contact confirmation during testing.

A rear-mounted cable gland ensures safe, organized cable management with effective strain relief, improving durability and ease of use in demanding environments.

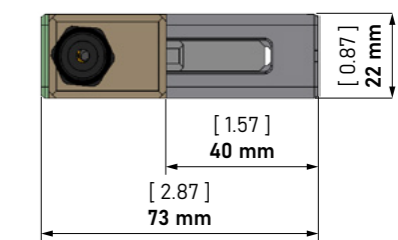
1	2	3
Receptacle (Socket)	Test Probe	Terminal Nr.
RRFT1	RFT6 MCX 0001 S	59Z176-C01-F

Tools for RFT6 MCX 0001 S		Tools for RCT079 QE03	
Insertion Bit / Handle TBT25072 / TH3	Extraction Bit / Handle TBT25072 / TH3	Insertion Bit / Handle TBR10036 / TH1	Extraction Bit / Handle TBR10071 / TH2
Tools for SWT1005 IW93 M			
Insertion Bit / Handle TBT10079 / TH3	Extraction Bit / Handle TBT10079 / TH3		



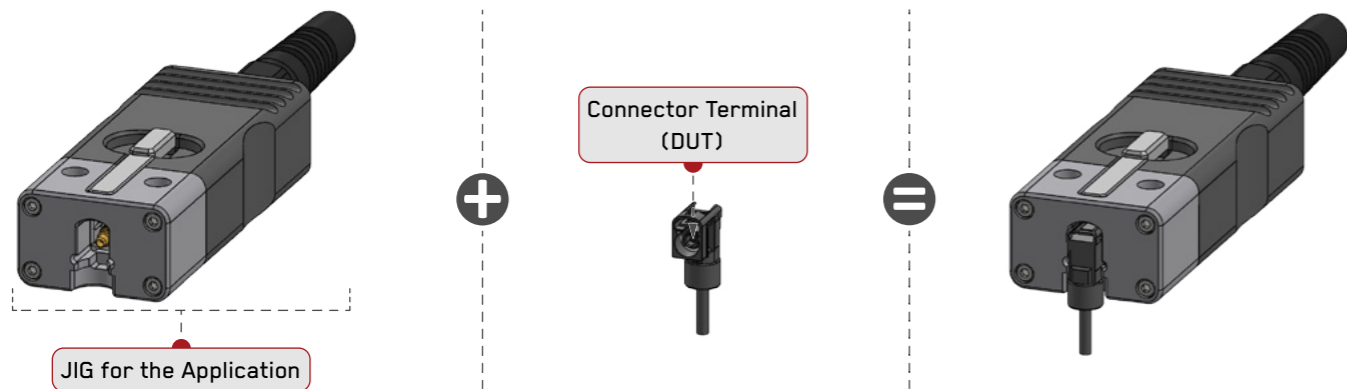
FRONT VIEW

L-Shaped Jig



SIDE VIEW

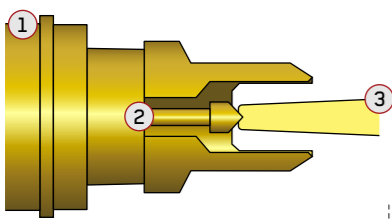
DUT Number	59Z176-C01-F	General Information
DUT Manufacturer	Rosenberger (FAKRA)	
Receptacle(s) + Test Probe(s)	RRFT1 + RFT6 MCX 0001 S (3A) RCT079 QE03 + SWT1005 IW93 M (3A)	
Cable Gland Size	M12 x 1.5	
		Jig Type: Hand Operated Test Jig
		Shape Design: L-Shaped design



JIG for the Application

Connector Terminal (DUT)

EXPLANATORY FIGURE VIEW



Equip-Test Spring Loaded Probe connects to DUT Terminal

Streamlining Rosenberger Connector Testing: ROSENBERGER59Z178-000 - JIG

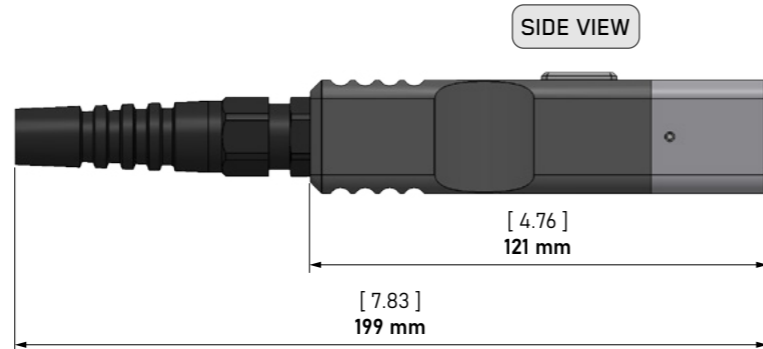
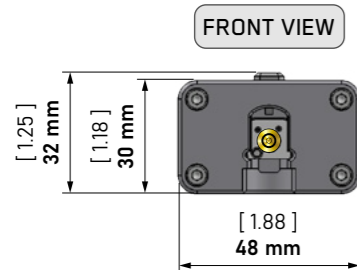
The ROSENBERGER59Z178-000 - JIG is a hand operated Test Jig purpose-built for accurate and reliable testing of Rosenberger connectors, designed to meet the needs of laboratory, production, and quality control environments.

It features an Equip-Test RF Probe RFT6 MCX 0004 S rated for up to 3A, ensuring stable and precise RF and power connections. For enhanced safety and engagement verification, the Jig includes a threaded switch probe SWT1005 IW93 M from Equip-Test, providing dependable contact confirmation during each testing cycle.

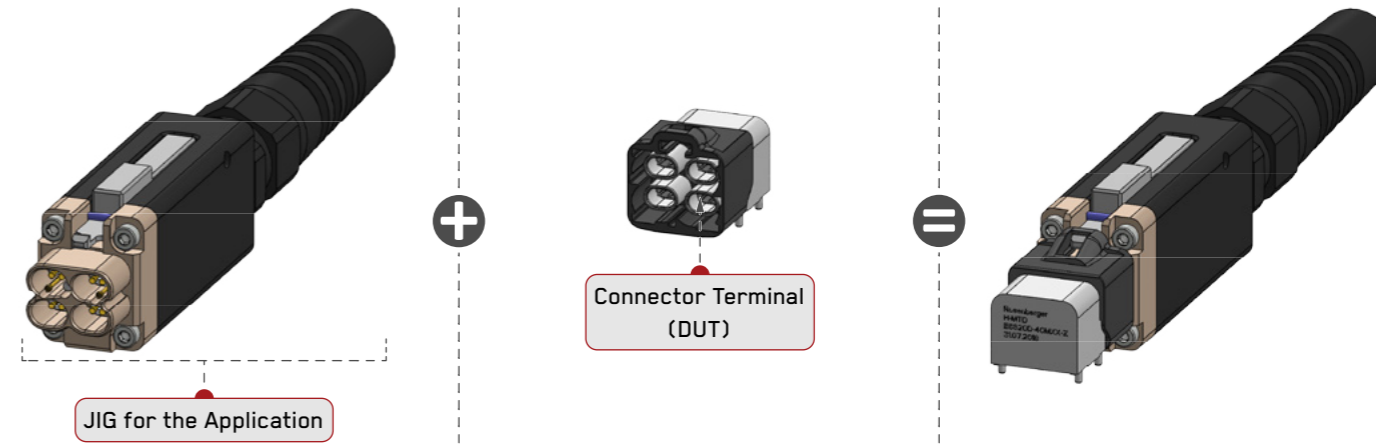
Rear-mounted cable gland for durable, easy-to-hand operated, organized cabling with strain relief.

1	2	3
Receptacle (Socket)	Test Probe	Terminal Nr.
RRFT1	RFT6 MCX 0004 S	59Z178-000

Tools for RFT6 MCX 0004 S		Tools for RCT079 QE03	
Insertion Bit / Handle TBT25072 / TH3	Extraction Bit / Handle TBT25072 / TH3	Insertion Bit / Handle TBR10036 / TH1	Extraction Bit / Handle TBR10071 / TH2
Tools for SWT1005 IW93 M			
Insertion Bit / Handle TBT10079 / TH3	Extraction Bit / Handle TBT10079 / TH3		



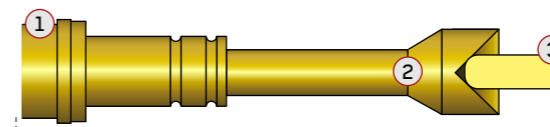
DUT Number	59Z178-000 (A0009055912)	General Information
DUT Manufacturer	Rosenberger (FAKRA)	
Receptacle(s) + Test Probe(s)	RRFT 1 + RFT6 MCX 0004 S (3A) RCT079 QE03 + SWT1005 IW93 M (3A)	
Cable Gland Size	M16 x 1.5	
		Jig Type: Hand Operated Test Jig



JIG for the Application

Connector Terminal (DUT)

EXPLANATORY FIGURE VIEW



Equip-Test Spring Loaded Probe connects to DUT Terminal

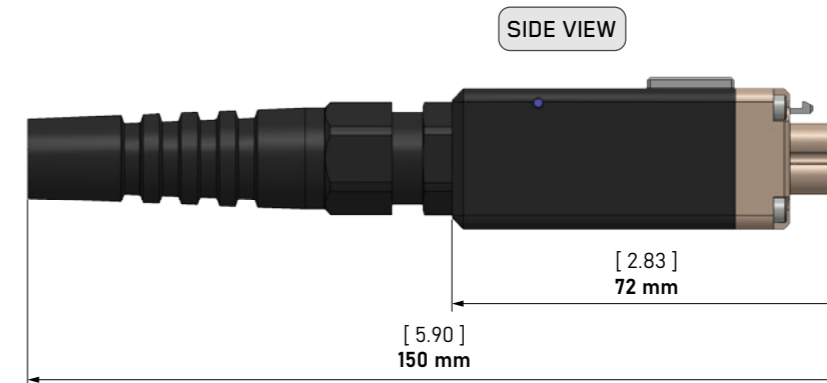
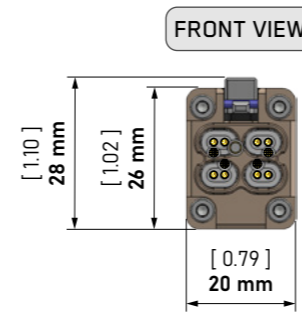
Streamlining Rosenberger Connector Testing: ROSENBERGERE6S20D-40MT5-Z - JIG

The ROSENBERGERE6S20D-40MT5-Z - JIG is a hand operated Test Jig specifically designed for testing Rosenberger connectors, providing versatility with two different connection types for enhanced testing flexibility. It features two Equip-Test threaded probes (both rated up to 3A): TT750 CG04 N and TT750 TA03 N.

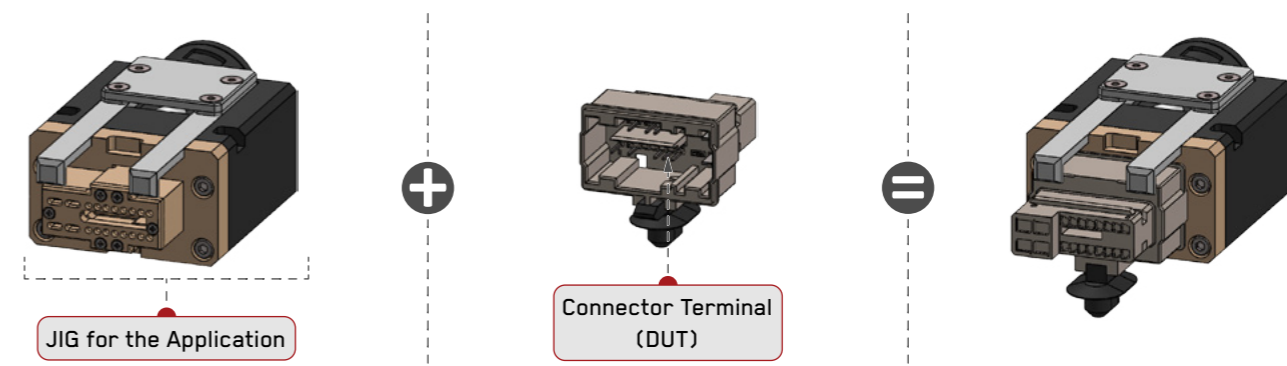
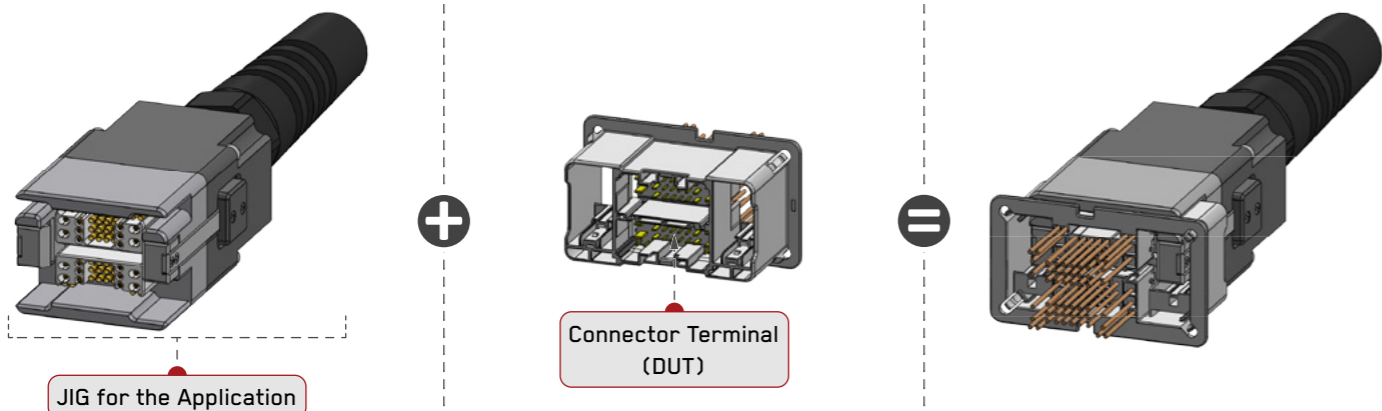
This Jig features a PEEK material probe cap for enhanced thermal and mechanical resistance. For accurate and reliable contact verification, it includes a threaded switch probe SWT1005 IW93 MX.

1	2	3
Receptacle (Socket)	Test Probe	Terminal Nr.
RCT052 SR03	TT750 CG04 N	E6S20D-40MT5-Z

Tools for RCT052 SR03		Tools for RCT079 QE03	
Insertion Bit / Handle TBR7535 / TH1	Extraction Bit / Handle TBR7570 / TH2	Insertion Bit / Handle TBR7535 / TH1	Extraction Bit / Handle TBR7570 / TH2
Tools for TT750 CG04 N		Tools for TT750 TA03 N	
Insertion Bit / Handle TBT7571 / TH3	Extraction Bit / Handle TBT7571 / TH3	Insertion Bit / Handle TBT7570 / TH3	Extraction Bit / Handle TBT7570 / TH3
Tools for SWT1005 IW93 MX		Insertion Bit / Handle TBT10079 / TH3	Extraction Bit / Handle TBT10079 / TH3



DUT Number	E6S20D-40MT5-Z	General Information
DUT Manufacturer	Rosenberger (FAKRA)	
Receptacle(s) + Test Probe(s)	RCT052 SR03 + TT750 CG04 N (3A)	
	RCT052 SR03 + TT750 TA03 N (3A)	
	RCT079 QE03 + SWT1005 IW93 MX (3A)	
Cable Gland Size	M16 x 1.5	
		Jig Type: Hand Operated Test Jig



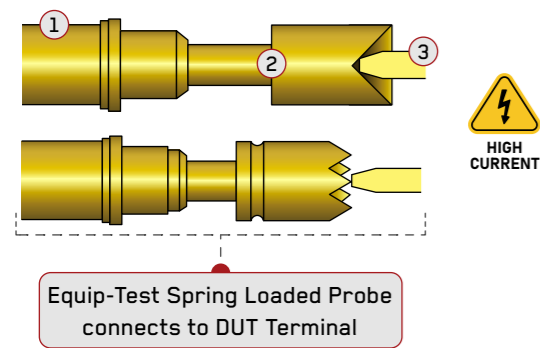
EXPLANATORY FIGURE VIEW

Streamlining Sumitomo Connector Testing:
SUMITOMO6098-8932 - JIG

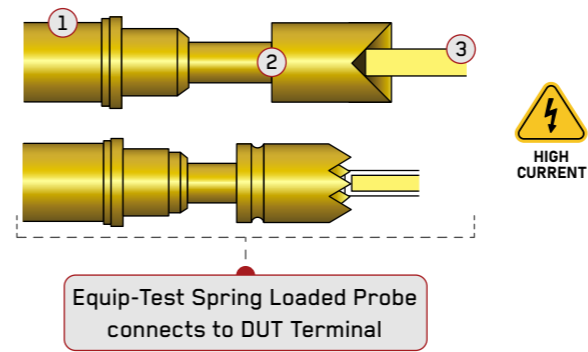
The SUMITOMO6098-8932 - JIG is a specially designed hand operated Test Jig created for precise and reliable testing of Sumitomo connectors, offering versatility for dual-device (DUT) applications. It is equipped with two Equip-Test threaded probes:

- HCT1005 CG05 MX - a high-current probe rated for up to 16A, ensuring robust power handling
- TT1005 TA55 XS - a standard probe rated for up to 5A, delivering accurate and stable signal or power connections

Additionally, the Jig is fitted with a durable cable gland, providing secure and organized cable management for long-term use in demanding environments.



EXPLANATORY FIGURE VIEW



Streamlining TE Connectivity Connector Testing:
TE1-1379913-1 - JIG

The TE1-1379913-1 - JIG is a custom-designed Test Jig for precision testing of TE Connectivity connectors, supporting both high-current and standard applications. It features two Equip-Test threaded probes:

- HCT1600 CG05 MX - a high-current probe rated for up to 24A, delivering exceptional power handling
- TT1005 RA07 MX - a standard probe rated for up to 5A, ensuring stable and accurate connections

This Jig features a PEEK material probe cap for enhanced thermal and mechanical resistance.

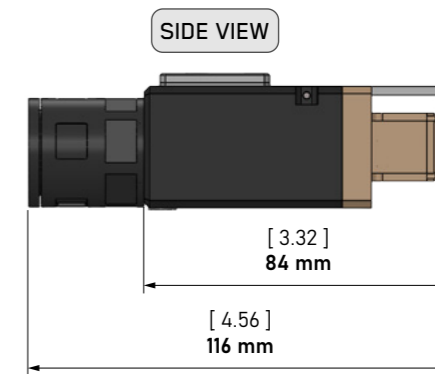
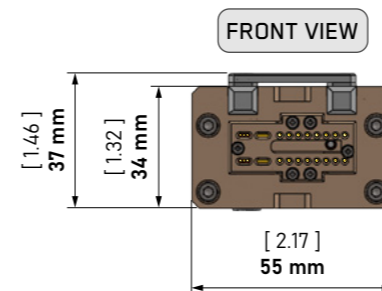
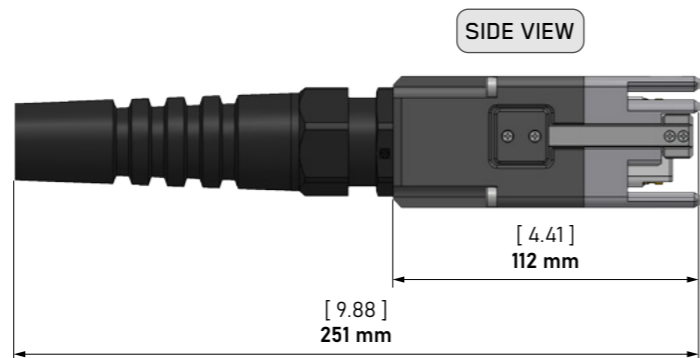
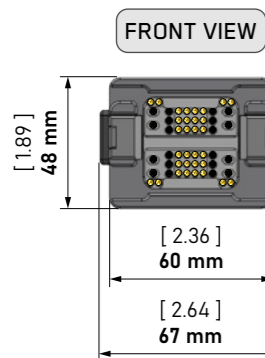
Secure contact verification is achieved with the Jig's Equip-Test SWT1005 IW93 M threaded switch probe and built-in cable gland for safe cable management.

1	2	3
Receptacle (Socket)	Test Probe	Terminal Nr.
RCT079 SR08	TT1005 TA55 XS	6098-8932

1	2	3
Receptacle (Socket)	Test Probe	Terminal Nr.
RCT079 SR08	TT1005 TA05 MX	1-1379913-1

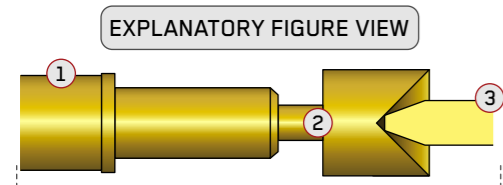
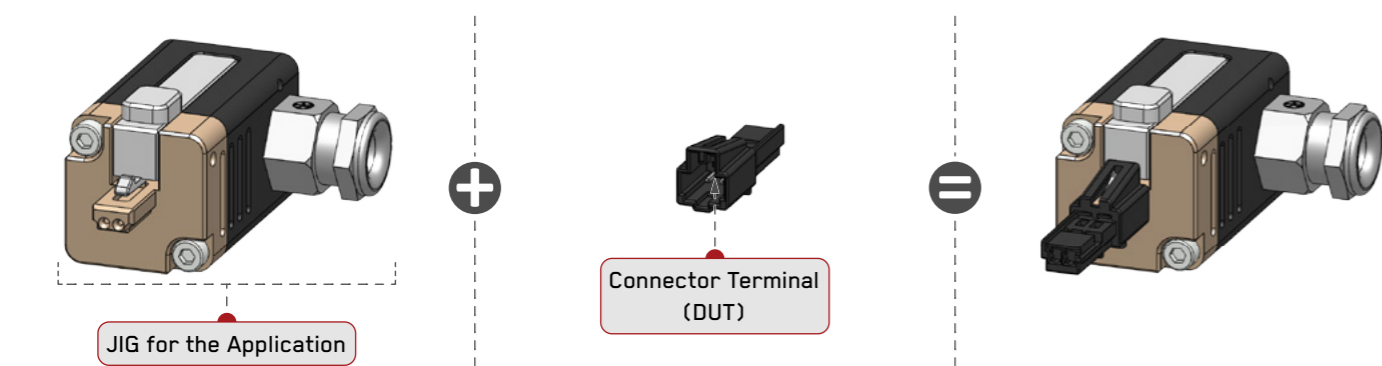
Tools for RCT079 SR08		Tools for RCT079 SR08	
Insertion Bit / Handle TBR10036 / TH1	Extraction Bit / Handle TBR10071 / TH2	Insertion Bit / Handle TBR10036 / TH1	Extraction Bit / Handle TBR10071 / TH2
Tools for HCT1005 CG05 MX		Tools for TT1005 TA55 XS	
Insertion Bit / Handle TBT10079 / TH3	Extraction Bit / Handle TBT10079 / TH3	Insertion Bit / Handle TBT10079 / TH3	Extraction Bit / Handle TBT10079 / TH3

Tools for RCT118 SR05		Tools for RCT079 SR08		Tools for RCT079 QE05	
Insertion Bit / Handle TBR16035 / TH1	Extraction Bit / Handle TBR16070 / TH2	Insertion Bit / Handle TBR10036 / TH1	Extraction Bit / Handle TBR10071 / TH2	Insertion Bit / Handle TBR10036 / TH1	Extraction Bit / Handle TBR10071 / TH2
Tools for HCT1600 CG05 MX		Tools for TT1005 TA05 MX		Tools for SWT1005 IW93 M	
Insertion Bit / Handle TBT16073 / TH3	Extraction Bit / Handle TBT16073 / TH3	Insertion Bit / Handle TBT10079 / TH3	Extraction Bit / Handle TBT10079 / TH3	Insertion Bit / Handle TBT10079 / TH3	Extraction Bit / Handle TBT10079 / TH3



DUT Number	6098-8932	General Information
DUT Manufacturer	Sumitomo	Jig Type: Hand Operated Test Jig
Receptacle(s) + Test Probe(s)	RCT079 SR08 + HCT1005 CG05 MX (16A) RCT079 SR08 + TT1005 TA55 XS (5A)	
Cable Gland Size	M32 x 1.5	

DUT Number	1-1379913-1	General Information
DUT Manufacturer	TE Connectivity	Jig Type: Hand Operated Test Jig
Receptacle(s) + Test Probe(s)	RCT118 SR05 + HCT1600 CG05 MX (24A) RCT079 SR08 + TT1005 TA05 MX (5A) RCT079 QE05 + SWT1005 IW93 M (3A)	
Cable Gland Size	M20 x 1.5	



Equip-Test Spring Loaded Probe connects to DUT Terminal

1	2	3
Receptacle (Socket)	Test Probe	Terminal Nr.
RCT049 SR03	TT751 TA03 X	1-1534155-1

Tools for RCT049 SR03	
Insertion Bit / Handle TBR7535 / TH1	Extraction Bit / Handle TBR7570 / TH2
Tools for TT751 TA03 X	
Insertion Bit / Handle TBT7570 / TH3	Extraction Bit / Handle TBT7570 / TH3

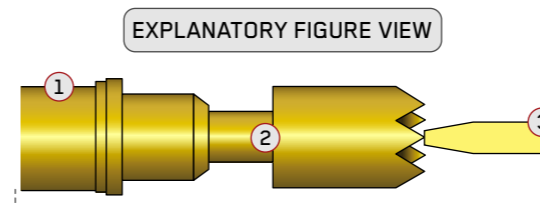
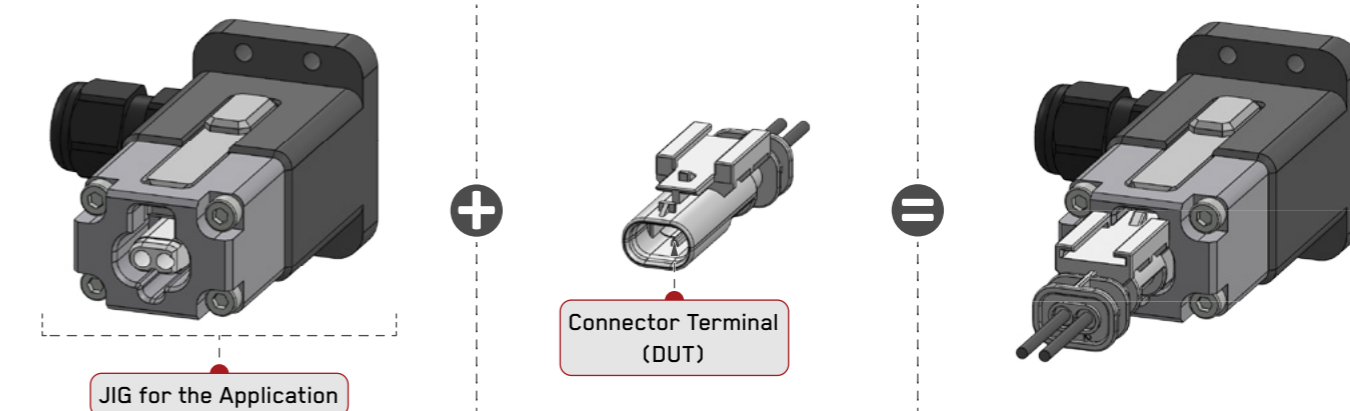
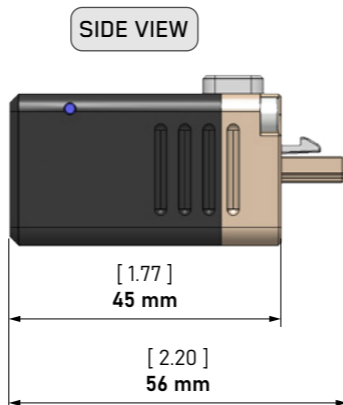
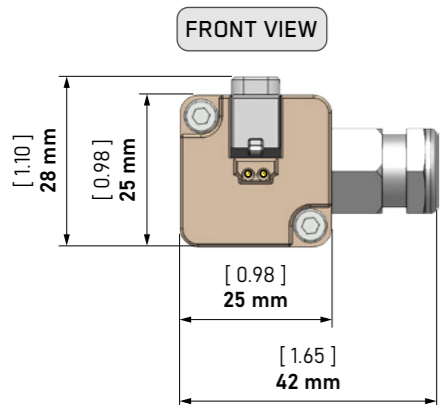
**Streamlining TE Connectivity Connector Testing:
TE1-1534155-1 - JIG**

The TE1-1534155-1 - JIG is a hand operated Test Jig designed specifically for reliable testing of TE Connectivity connectors, combining compact design with practical functionality.

This Jig features a PEEK material probe cap for enhanced thermal and mechanical resistance.

It features an Equip-Test threaded probe TT751 TA03 X rated for up to 3A, ensuring stable and accurate electrical connections during testing.

The Jig also includes a side-mounted cable gland, providing secure and organized cable management while optimizing workspace ergonomics.



Equip-Test Spring Loaded Probe connects to DUT Terminal

1	2	3
Receptacle (Socket)	Test Probe	Terminal Nr.
RCT079 SR08	TT1005 CG07 MX	1-1703498-2

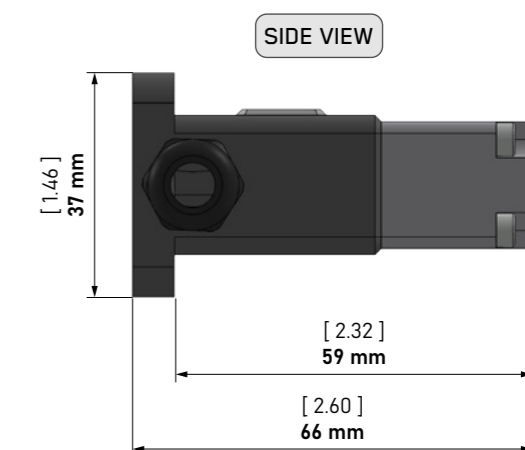
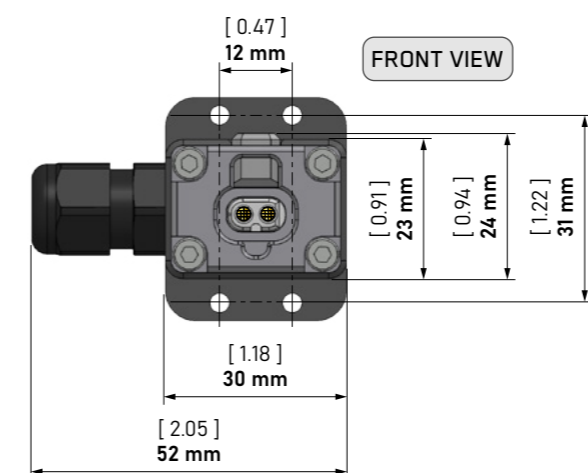
Tools for RCT079 SR08	
Insertion Bit / Handle TBR10036 / TH1	Extraction Bit / Handle TBR10071 / TH2
Tools for TT1005 CG07 MX	
Insertion Bit / Handle TBT10079 / TH3	Extraction Bit / Handle TBT10079 / TH3

**Streamlining TE Connectivity Connector Testing:
TE1-1703498-2 - JIG**

The TE1-1703498-2 - JIG is a mountable Test Jig. Purpose-built for precise and reliable testing of TE Connectivity connectors in production and laboratory environments.

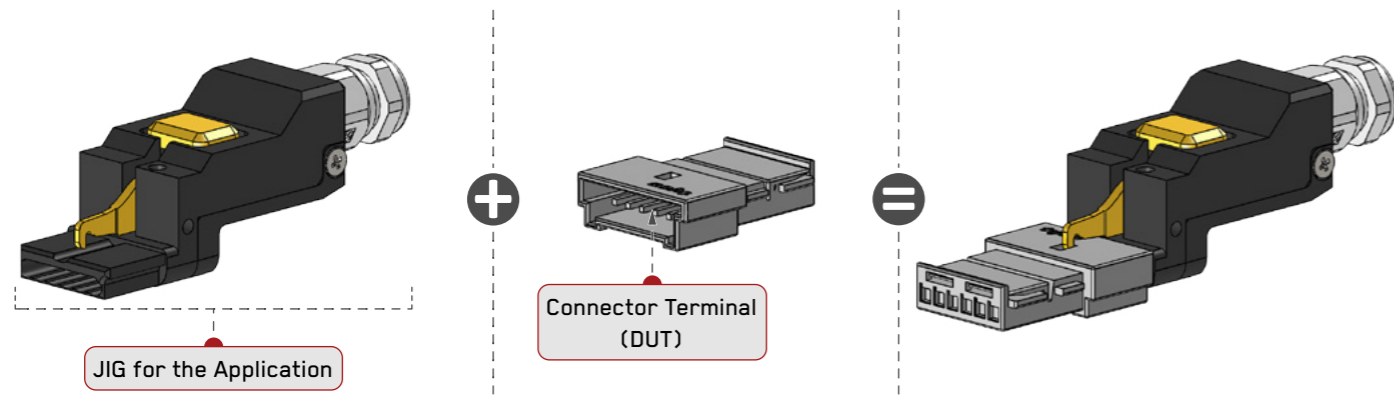
It is equipped with an Equip-Test threaded probe TT1005 CG07 MX rated for up to 5A, ensuring stable and consistent electrical connections.

A side-entry cable gland is integrated to provide secure and organized cable management, improving accessibility and workspace efficiency.

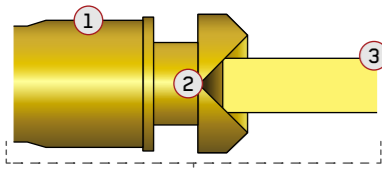


DUT Number	1-1534155-1	General Information
DUT Manufacturer	TE Connectivity	Jig Type: Hand Operated Test Jig
Receptacle(s) + Test Probe(s)	RCT049 SR03 + TT751 TA03 X (3A)	
Cable Gland Size	M10 x 1	

DUT Number	1-1703498-2	General Information
DUT Manufacturer	TE Connectivity	Jig Type: Mountable Test Jig
Receptacle(s) + Test Probe(s)	RCT079 SR08 + TT1005 CG07 MX (5A)	
Cable Gland Size	M12 x 1.5	



EXPLANATORY FIGURE VIEW



Equip-Test Spring Loaded Probe connects to DUT Terminal

1	2	3
Receptacle (Socket)	Test Probe	Terminal Nr.
RCP065U CR03	BP1000 TD03 XS	1-1703874-1

Tools for RCP065U CR03	
Insertion Bit / Handle TBR10035 / TH1	Extraction Bit / Handle TBR11870 / TH1
Tools for BP1000 TD03 XS	
Insertion Bit / Handle TBP11870 / TH1	Extraction Bit / Handle TBP11870 / TH1

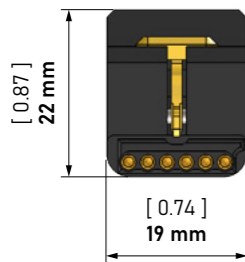
**Streamlining TE Connectivity Connector Testing:
TE1-1703874-1 - JIG**

The TE1-1703874-1 - JIG TE1-1718643 is a specially designed hand operated Test Jig. Developed for precise and efficient testing of TE Connectivity connectors.

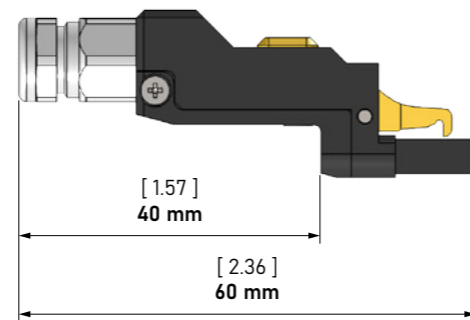
It features an Equip-Test battery probe BP1000 TD03 XS rated for up to 5A, ensuring reliable power and signal connections during testing.

A built-in cable gland provides secure and organized cable management, improving safety and durability for long-term use.

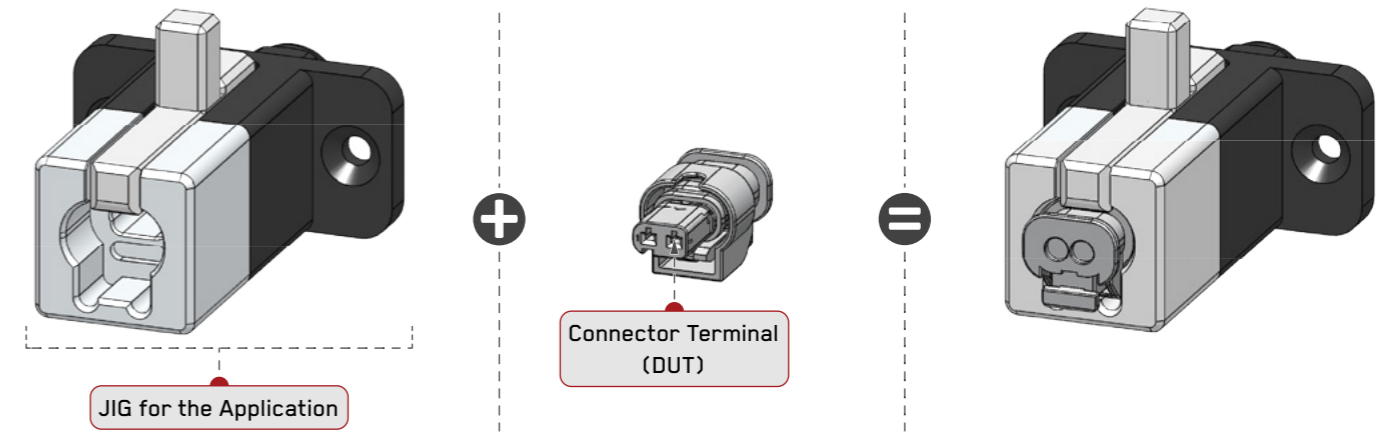
FRONT VIEW



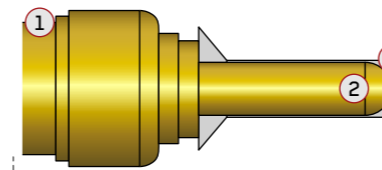
SIDE VIEW



DUT Number	1-1703874-1	General Information
DUT Manufacturer	TE Connectivity	Jig Type: Hand Operated Test Jig Shape Design: Special Jig housing design
Receptacle(s) + Test Probe(s)	RCP065U CR03 + BP1000 TD03 XS (5A)	
Cable Gland Size	M8 x 1	



EXPLANATORY FIGURE VIEW



Equip-Test Spring Loaded Probe connects to DUT Terminal

1	2	3
Receptacle (Socket)	Test Probe	Terminal Nr.
RCT079 SR04	TT1003 RB03 N	1-1718643-8

Tools for RCT079 SR04	
Insertion Bit / Handle TBR10036 / TH1	Extraction Bit / Handle TBR10071 / TH2
Tools for TT1003 RB03 N	
Insertion Bit / Handle TBT10078 / TH3	Extraction Bit / Handle TBT10078 / TH3

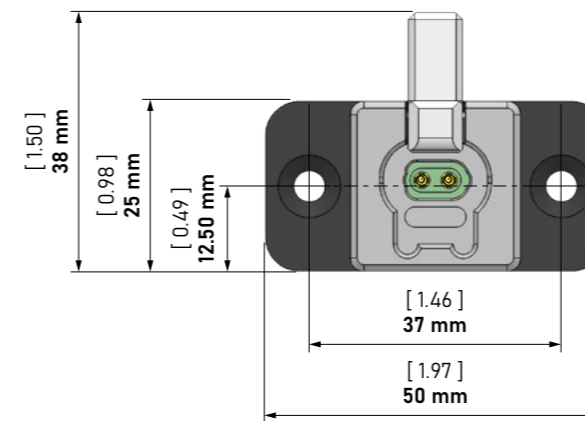
**Streamlining TE Connectivity Connector Testing:
TE1-1718643-8 - JIG**

The TE1-1718643-8 - JIG is a mountable Test Jig designed specifically for accurate and reliable testing of TE Connectivity connectors.

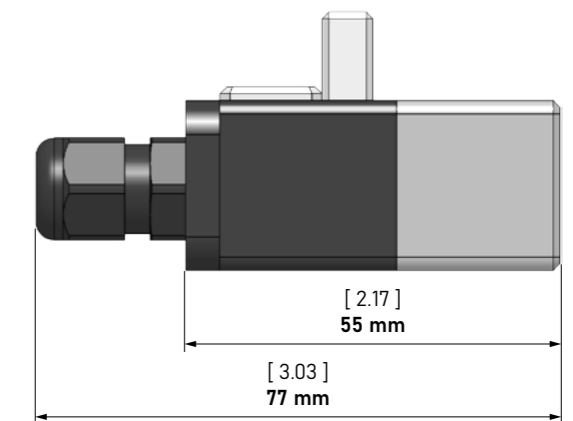
It features an Equip-Test threaded probe TT1003 RB03 N rated for up to 5A, ensuring consistent and precise electrical contact during testing.

The Jig is equipped with a cable gland, providing secure cable management and strain relief for enhanced durability.

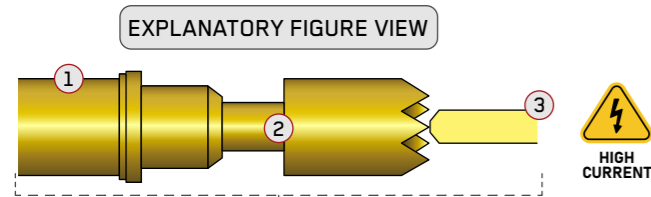
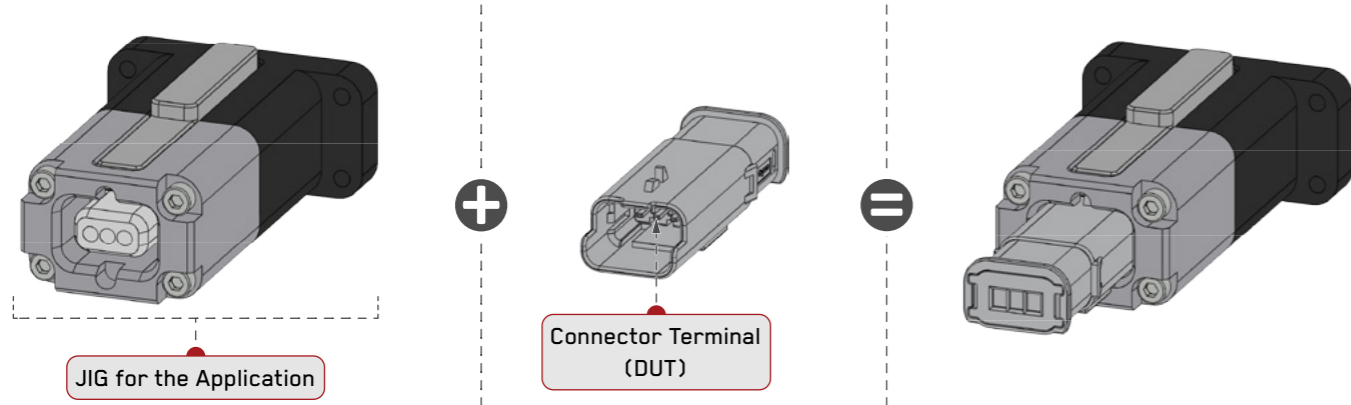
FRONT VIEW



SIDE VIEW



DUT Number	1-1718643-8	General Information
DUT Manufacturer	TE Connectivity	Jig Type: Mountable Test Jig
Receptacle(s) + Test Probe(s)	RCT079 SR04 + TT1003 RB03 N (5A)	
Cable Gland Size	M12 x 1.5	



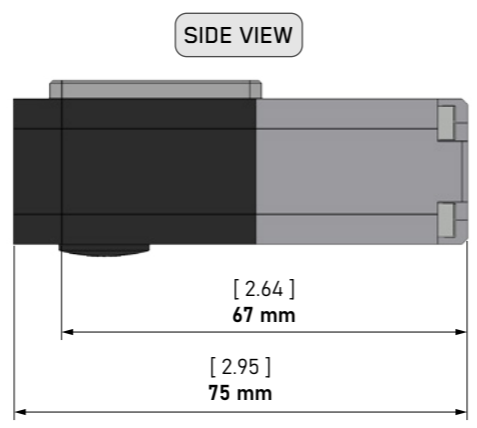
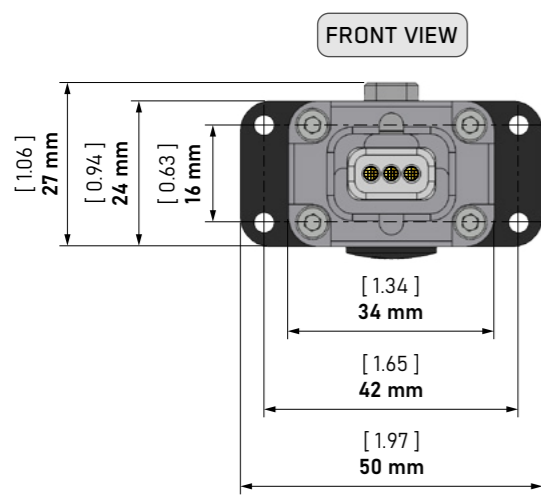
Equip-Test Spring Loaded Probe connects to DUT Terminal

1	2	3
Receptacle (Socket)	Test Probe	Terminal Nr.
RCT079 SR07	HCT1005 CG05 MX	1-1801177-1

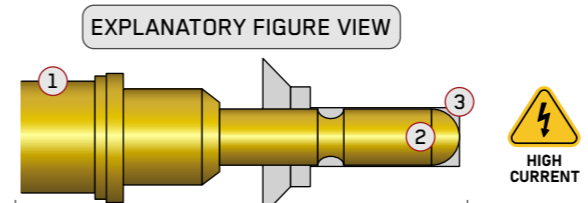
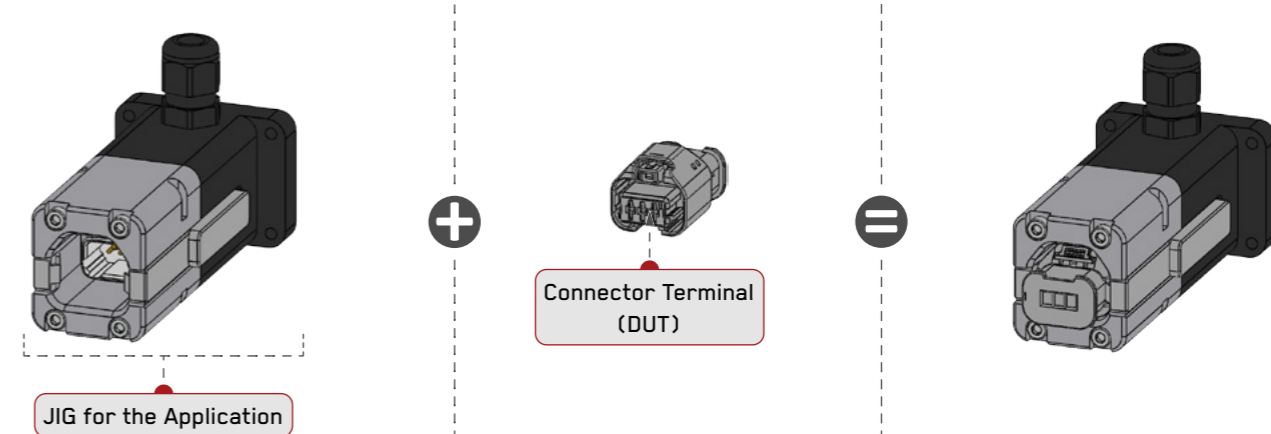
Tools for RCT079 SR07	
Insertion Bit / Handle TBR10036 / TH1	Extraction Bit / Handle TBR10071 / TH2
Tools for HCT1005 CG05 MX	
Insertion Bit / Handle TBT10079 / TH3	Extraction Bit / Handle TBT10079 / TH3

Streamlining TE Connectivity Connector Testing: TE1-1801177-1 - JIG

The TE1-1801177-1 - JIG is a 3-pole mountable Test Jig engineered for high-current testing of TE Connectivity connectors. It features an Equip-Test high-current threaded probe HCT1005 CG05 MX rated for up to 20A, providing robust power hand operated for demanding applications. The Jig also includes a cable gland, ensuring secure cable management and strain relief for safe and reliable operation.



DUT Number	1-1801177-1	General Information
DUT Manufacturer	TE Connectivity	
Receptacle(s) + Test Probe(s)	RCT079 SR07 + HCT1005 CG05 MX (20A)	
Cable Gland Size	M12 x 1.5	
		Jig Type: Mountable Test Jig



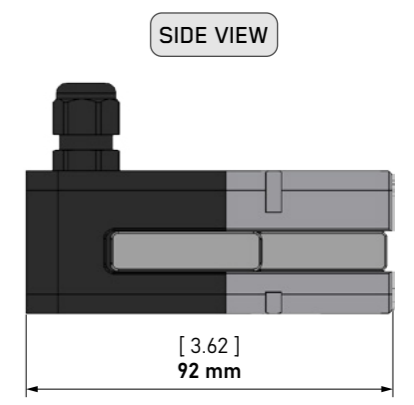
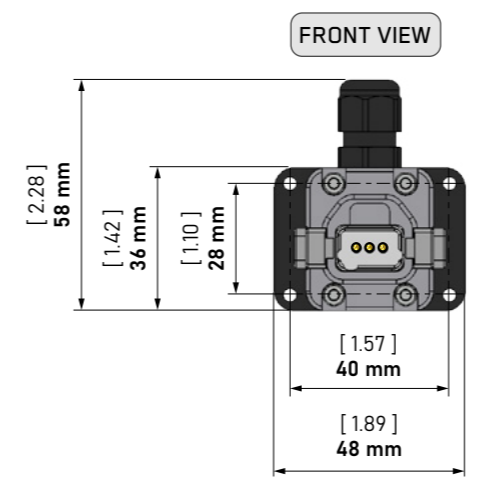
Equip-Test Spring Loaded Probe connects to DUT Terminal

1	2	3
Receptacle (Socket)	Test Probe	Terminal Nr.
RCT079 SR07	HCT1005 RA03 MX	1-1801178-1

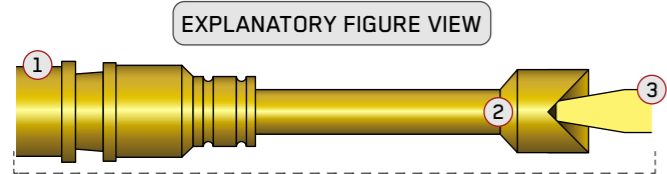
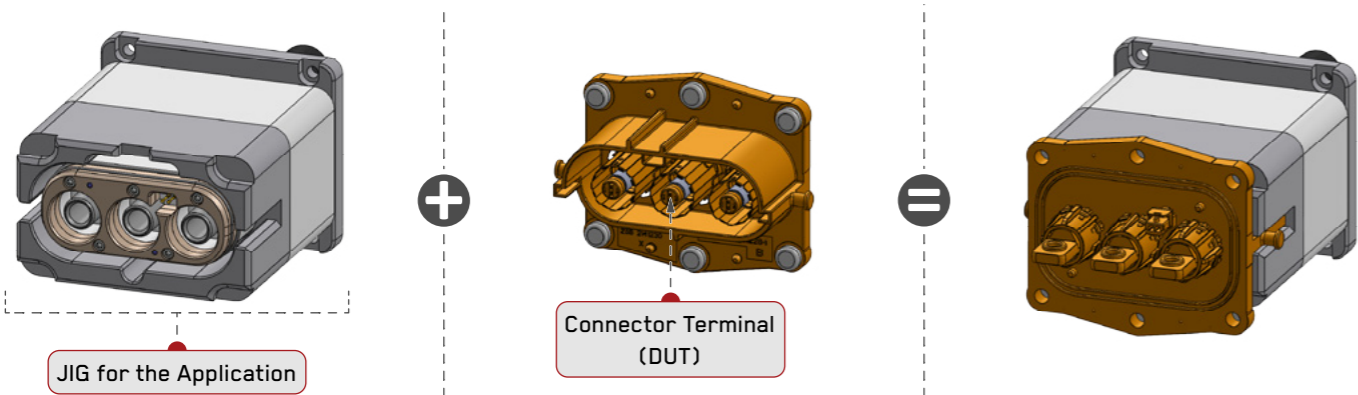
Tools for RCT079 SR07	
Insertion Bit / Handle TBR10036 / TH1	Extraction Bit / Handle TBR10071 / TH2
Tools for HCT1005 RA03 MX	
Insertion Bit / Handle TBT10079 / TH3	Extraction Bit / Handle TBT10079 / TH3

Streamlining TE Connectivity Connector Testing: TE1-1801178-1 - JIG

The TE1-1801178-1 - JIG is a mountable Test Jig designed for robust high-current testing of TE Connectivity connectors. It features an Equip-Test high-current threaded probe HCT1005 RA03 MX rated for up to 20A, ensuring dependable power hand operated for demanding test applications. The Jig is equipped with a side-entry cable gland, providing secure cable management and strain relief to enhance durability and safety.



DUT Number	1-1801178-1	General Information
DUT Manufacturer	TE Connectivity	
Receptacle(s) + Test Probe(s)	RCT079 SR07 + HCT1005 RA03 MX (20A)	
Cable Gland Size	M12 x 1.5	
		Jig Type: Mountable Test Jig



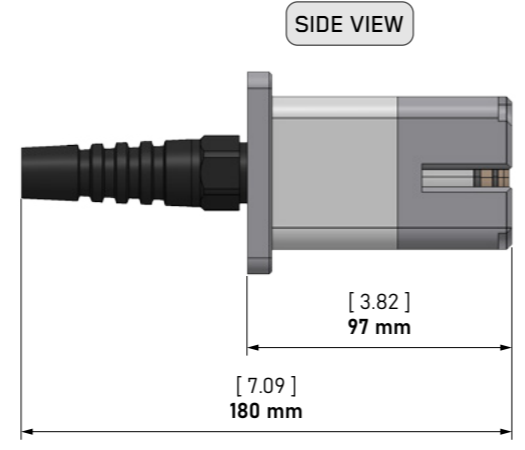
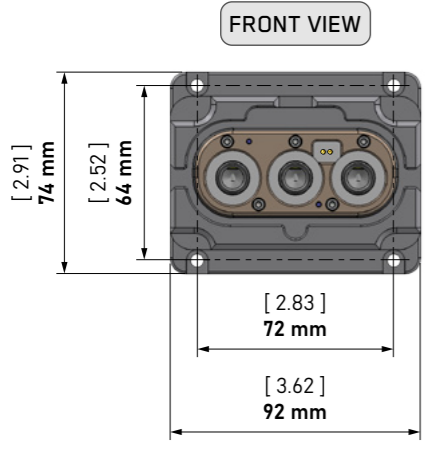
Equip-Test Spring Loaded Probe connects to DUT Terminal

1	2	3
Receptacle (Socket)	Test Probe	Terminal Nr.
RCT052 SR03	TT750 TA03 N	1-214230-1

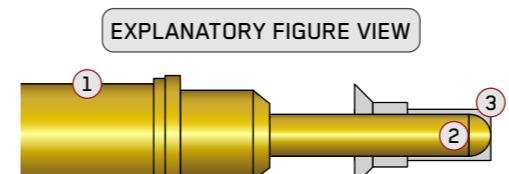
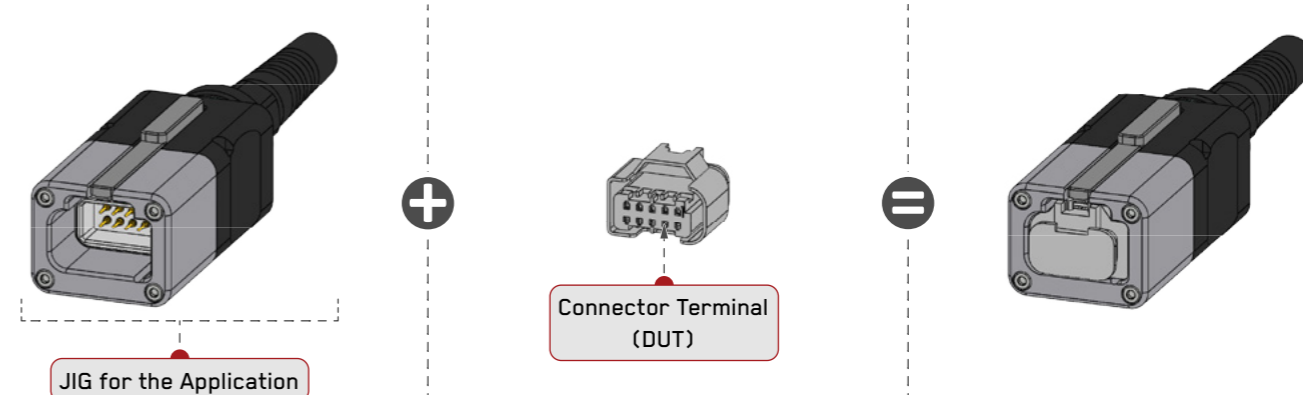
Tools for RCT052 SR03	
Insertion Bit / Handle TBR7535 / TH1	Extraction Bit / Handle TBR7570 / TH2
Tools for TT750 TA03 N	
Insertion Bit / Handle TBT7570 / TH3	Extraction Bit / Handle TBT7570 / TH3

Streamlining TE Connectivity Connector Testing: TE1-214230-1 - JIG

The TE1-214230-1 - JIG is a mountable Test Jig specifically designed for specialized DUT configurations using TE Connectivity connectors. This Jig features a PEEK material probe cap for enhanced thermal and mechanical resistance. It features an Equip-Test threaded probe TT750 TA03 N rated for 3A, providing reliable and accurate electrical connections. The Jig is equipped with a cable gland for secure cable management and enhanced durability in demanding testing environments.



DUT Number	1-214230-1	General Information
DUT Manufacturer	TE Connectivity	Jig Type: Mountable Test Jig
Receptacle(s) + Test Probe(s)	RCT052 SR03 + TT750 TA03 N (3A)	
Cable Gland Size	M20 x 1.5	



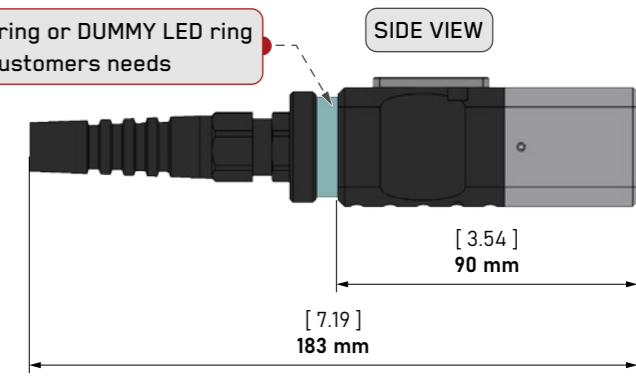
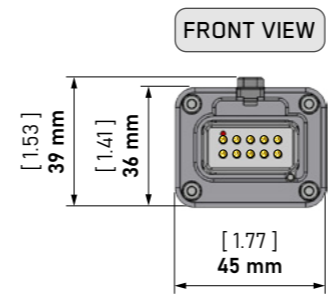
Equip-Test Spring Loaded Probe connects to DUT Terminal

1	2	3
Receptacle (Socket)	Test Probe	Terminal Nr.
RCT079 SR08	TT1005 RB06 MX	1-2282337-1

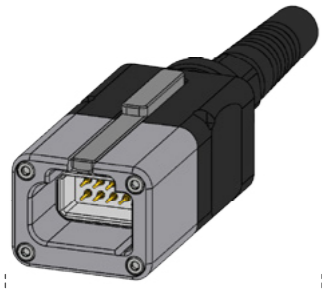
Tools for RCT079 SR08		Tools for RCT079 QE03	
Insertion Bit / Handle TBR10036 / TH1	Extraction Bit / Handle TBR10071 / TH2	Insertion Bit / Handle TBR10036 / TH1	Extraction Bit / Handle TBR10071 / TH2
Tools for TT1005 RB06 MX		Tools for SWT1005 IW93 M	
Insertion Bit / Handle TBT10079 / TH3	Extraction Bit / Handle TBT10079 / TH3	Insertion Bit / Handle TBT10079 / TH3	Extraction Bit / Handle TBT10079 / TH3

Streamlining TE Connectivity Connector Testing: TE1-2282337-1-JIG - 01

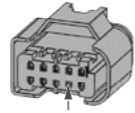
The TE1-2282337-1-JIG - 01 is a hand operated Test Jig designed specifically for TE Connectivity connectors. Equipped with an Equip-Test threaded probe TT1005 RB06 MX rated for 5A, it ensures reliable power transmission. Contact verification is managed by an Equip-Test threaded switch probe SWT1005 IW93 M, guaranteeing accurate connection checks. The jig also includes a cable gland for secure and organized cable management. An integrated LED ring provides clear visual feedback during testing, reducing errors.



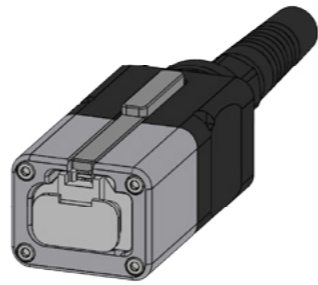
DUT Number	1-2282337-1	General Information
DUT Manufacturer	TE Connectivity	Jig Type: Hand Operated Test Jig Optional Configuration: Optional LED ring or DUMMY LED ring
Receptacle(s) + Test Probe(s)	RCT079 SR08 + TT1005 RB06 MX (5A) RCT079 QE03 + SWT1005 IW93 M (3A)	
Cable Gland Size	M16 x 1.5	



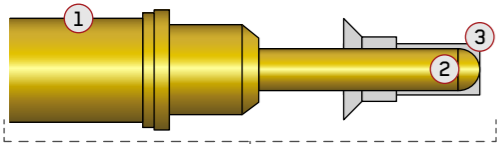
JIG for the Application



Connector Terminal (DUT)



EXPLANATORY FIGURE VIEW



Equip-Test Spring Loaded Probe connects to DUT Terminal

Streamlining TE Connectivity Connector Testing: TE1-2282337-1-JIG - 02

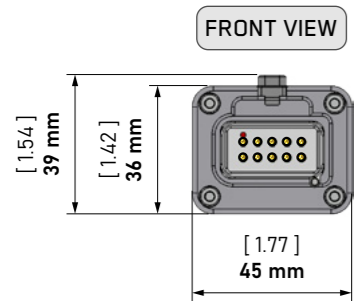
The TE1-2282337-1-JIG - 02 is a hand operated Test Jig designed for TE Connectivity connectors.

Equipped with an Equip-Test threaded probe TT1005 RB06 MX rated for 5A, it ensures stable and reliable current transmission. Contact verification is hand operated by an Equip-Test threaded switch probe SWT1005 IW93 M, guaranteeing accurate connection checks.

A built-in LED ring offers visual feedback, and a cable gland ensures neat, durable cable routing.

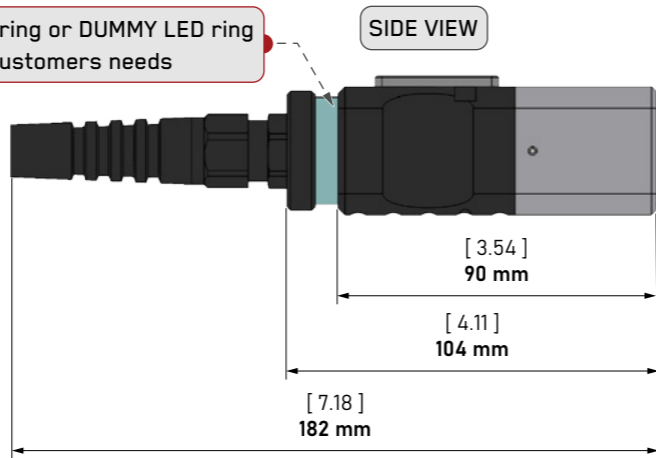
1	2	3
Receptacle (Socket)	Test Probe	Terminal Nr.
RCT079 SR08	TT1005 RB06 MX	1-2282337-1

Tools for RCT079 SR08		Tools for RCT079 QE03	
Insertion Bit / Handle TBR10036 / TH1	Extraction Bit / Handle TBR10071 / TH2	Insertion Bit / Handle TBR10036 / TH1	Extraction Bit / Handle TBR10071 / TH2
Tools for TT1005 RB06 MX		Tools for SWT1005 IW93 M	
Insertion Bit / Handle TBT10079 / TH3	Extraction Bit / Handle TBT10079 / TH3	Insertion Bit / Handle TBT10079 / TH3	Extraction Bit / Handle TBT10079 / TH3



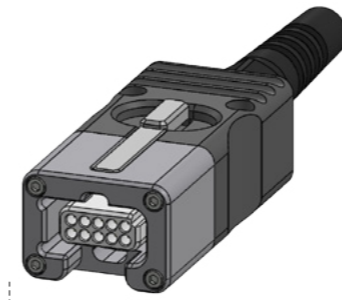
FRONT VIEW

Optional LED ring or DUMMY LED ring according to customers needs

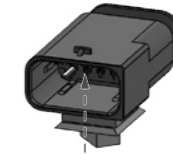


SIDE VIEW

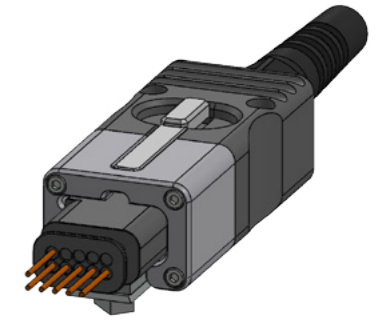
DUT Number	1-2282337-1	General Information
DUT Manufacturer	TE Connectivity	Jig Type: Hand Operated Test Jig Optional Configuration: Optional LED ring or DUMMY LED ring
Receptacle(s) + Test Probe(s)	RCT079 SR08 + TT1005 RB06 MX (5A) RCT079 QE03 + SWT1005 IW93 M (3A)	
Cable Gland Size	M16 x 1.5	



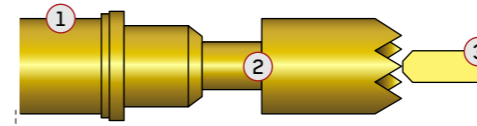
JIG for the Application



Connector Terminal (DUT)



EXPLANATORY FIGURE VIEW



Equip-Test Spring Loaded Probe connects to DUT Terminal

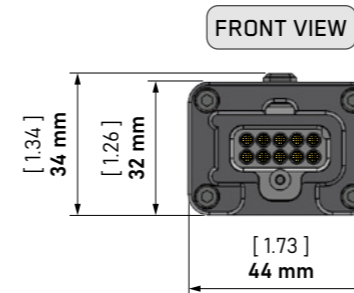
Streamlining TE Connectivity Connector Testing: TE1-2301521-4 - JIG

The TE1-2301521-4 - JIG is a hand operated Test Jig specifically designed for TE Connectivity connectors, delivering precise and reliable testing performance.

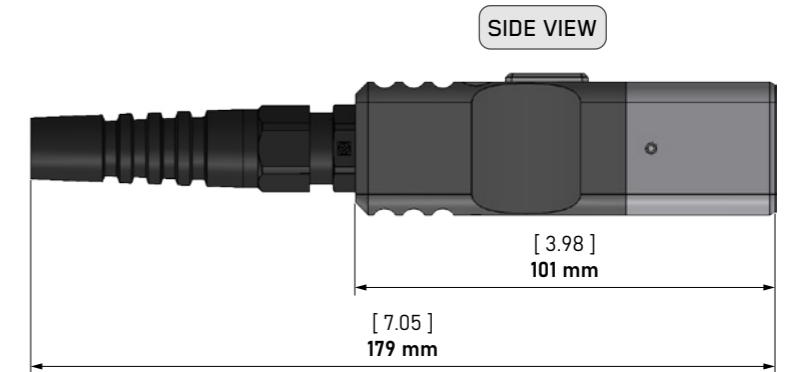
It features an Equip-Test threaded probe TT1005 CG07 MX rated for 5A, ensuring stable current flow during testing. Contact verification is secured through an Equip-Test threaded switch probe SWT1005 IW93 M, providing accurate connection checks. The Jig is equipped with a cable gland for organized and secure cable management.

1	2	3
Receptacle (Socket)	Test Probe	Terminal Nr.
RCT079 SR08	TT1005 CG07 MX	1-2301521-4

Tools for RCT079 SR08		Tools for RCT079 QE03	
Insertion Bit / Handle TBR10036 / TH1	Extraction Bit / Handle TBR10071 / TH2	Insertion Bit / Handle TBR10036 / TH1	Extraction Bit / Handle TBR10071 / TH2
Tools for TT1005 CG07 MX		Tools for SWT1005 IW93 M	
Insertion Bit / Handle TBT10079 / TH3	Extraction Bit / Handle TBT10079 / TH3	Insertion Bit / Handle TBT10079 / TH3	Extraction Bit / Handle TBT10079 / TH3

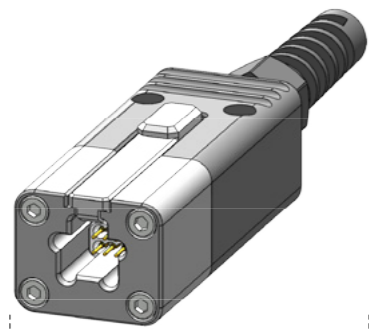


FRONT VIEW

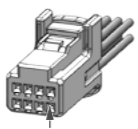


SIDE VIEW

DUT Number	1-2301521-4	General Information
DUT Manufacturer	TE Connectivity	Jig Type: Hand Operated Test Jig
Receptacle(s) + Test Probe(s)	RCT079 SR08 + TT1005 CG07 MX (5A) RCT079 QE03 + SWT1005 IW93 M (3A)	
Cable Gland Size	M16 x 1.5	

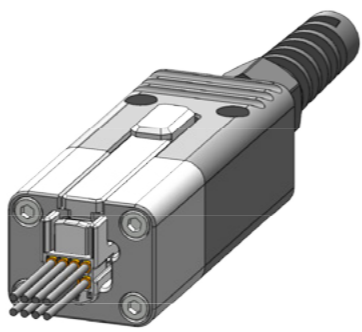


+



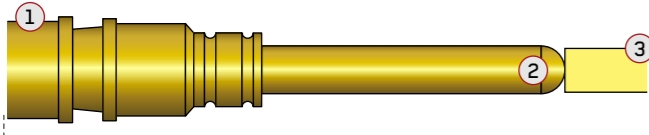
Connector Terminal (DUT)

=



JIG for the Application

EXPLANATORY FIGURE VIEW



Equip-Test Spring Loaded Probe connects to DUT Terminal

1	2	3
Receptacle (Socket)	Test Probe	Terminal Nr.
RCT052 SR03	TT750 RA04 S	1379659-5

Tools for RCT052 SR03

Insertion Bit / Handle TBR7535 / TH1	Extraction Bit / Handle TBR7570 / TH2
---	--

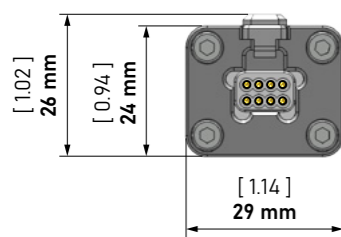
Tools for TT750 RA04 S

Insertion Bit / Handle TBT7571 / TH3	Extraction Bit / Handle TBT7571 / TH3
---	--

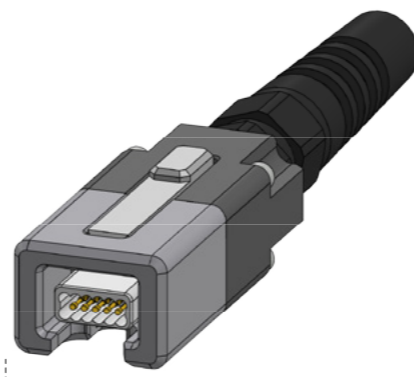
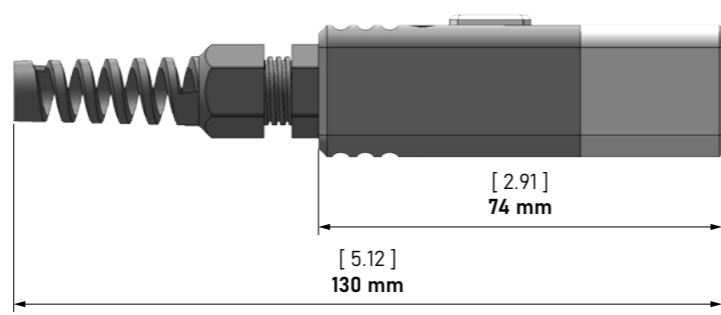
Streamlining TE Connectivity Connector Testing: TE1379659-5 - JIG

The TE1379659-5 - JIG is a hand operated Test Jig designed specifically for TE Connectivity connectors, providing reliable and efficient testing. It features an Equip-Test threaded probe TT750 RA04 S rated for 3A, ensuring dependable current flow during testing procedures. The Jig is also equipped with a cable gland for secure cable management and strain relief.

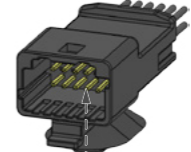
FRONT VIEW



SIDE VIEW

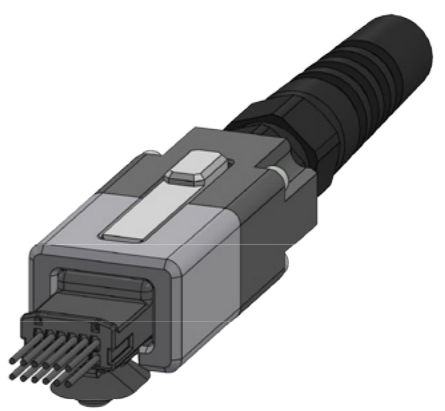


+



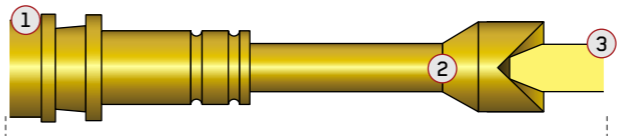
Connector Terminal (DUT)

=



JIG for the Application

EXPLANATORY FIGURE VIEW



Equip-Test Spring Loaded Probe connects to DUT Terminal

1	2	3
Receptacle (Socket)	Test Probe	Terminal Nr.
RCT052 SR03	TT750 TA03 XS	1379675

Tools for RCT052 SR03

Insertion Bit / Handle TBR7535 / TH1	Extraction Bit / Handle TBR7570 / TH2
---	--

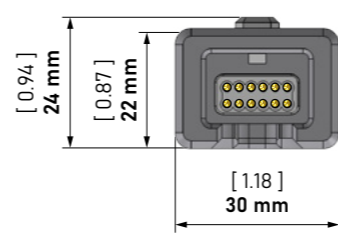
Tools for TT750 TA03 XS

Insertion Bit / Handle TBT7570 / TH3	Extraction Bit / Handle TBT7570 / TH3
---	--

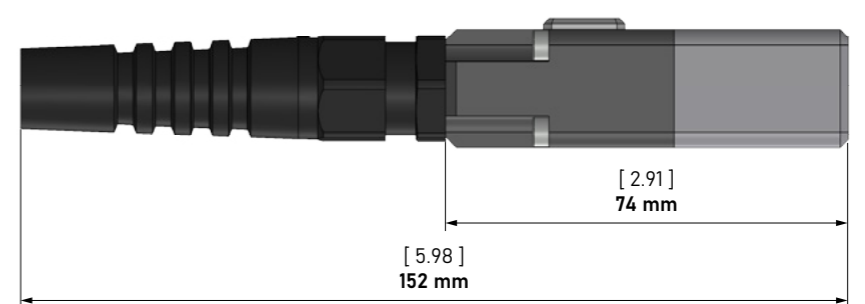
Streamlining TE Connectivity Connector Testing: TE1379675 - JIG

The TE1379675 - JIG is a hand operated Test Jig designed for precise and reliable testing of TE Connectivity connectors. It features an Equip-Test threaded probe TT750 TA03 XS rated for 3A, ensuring consistent current transmission during test procedures. The Jig is equipped with a cable gland to provide secure cable management and strain relief.

FRONT VIEW



SIDE VIEW

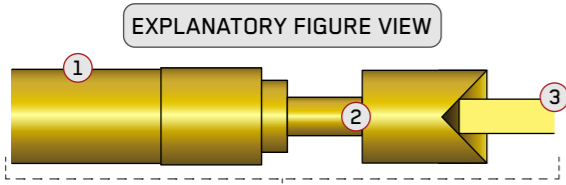
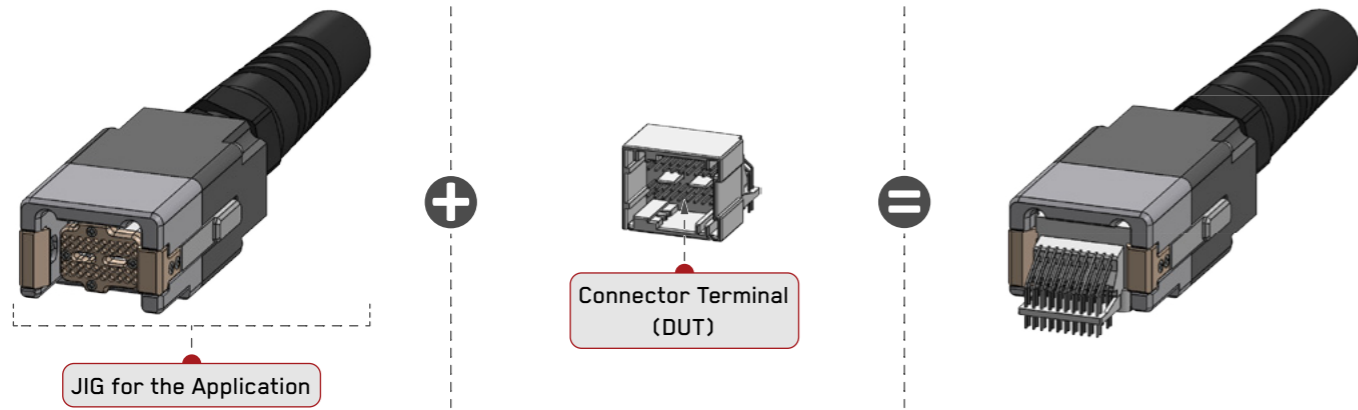


TE1379659-5 - JIG

DUT Number	1379659-5	General Information
DUT Manufacturer	TE Connectivity	
Receptacle(s) + Test Probe(s)	RCT052 SR03 + TT750 RA04 S (3A)	
Cable Gland Size	M12 x 1.5	
		Jig Type: Hand Operated Test Jig

TE1379675 - JIG

DUT Number	1379675	General Information
DUT Manufacturer	TE Connectivity	
Receptacle(s) + Test Probe(s)	RCT052 SR03 + TT750 TA03 XS (3A)	
Cable Gland Size	M16 x 1.5	
		Jig Type: Hand Operated Test Jig



Equip-Test Spring Loaded Probe connects to DUT Terminal

1	2	3
Receptacle (Socket)	Test Probe	Terminal Nr.
RCT067 SR04	TT1000 TA04 S	1745060-1

Tools for RCT067 SR04		Tools for RCT079 QE03	
Insertion Bit / Handle TBR10035 / TH1	Extraction Bit / Handle TBR10070 / TH2	Insertion Bit / Handle TBR10036 / TH1	Extraction Bit / Handle TBR10071 / TH2
Tools for TT1000 TA04 S		Tools for SWT1005 IW93 MX	
Insertion Bit / Handle TBT10070 / TH3	Extraction Bit / Handle TBT10070 / TH3	Insertion Bit / Handle TBT10079 / TH3	Extraction Bit / Handle TBT10079 / TH3

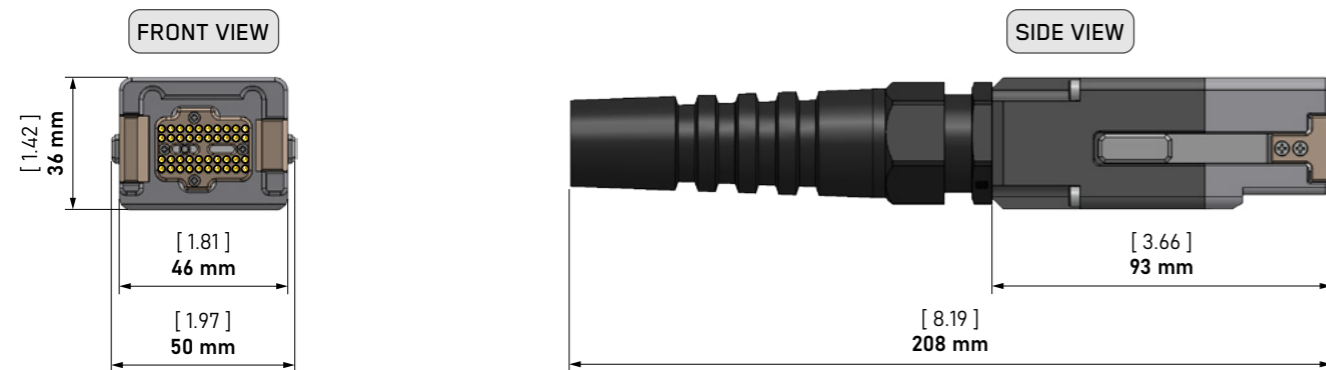
**Streamlining TE Connectivity Connector Testing:
TE1745060-1 - JIG**

The TE1745060-1 - JIG is a hand operated Test Jig designed specifically for high-pin-count TE Connectivity connectors, offering reliable and precise testing.

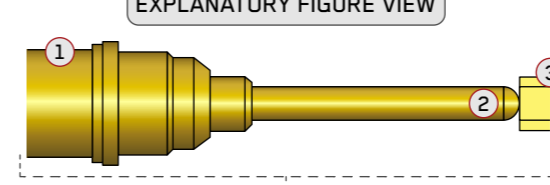
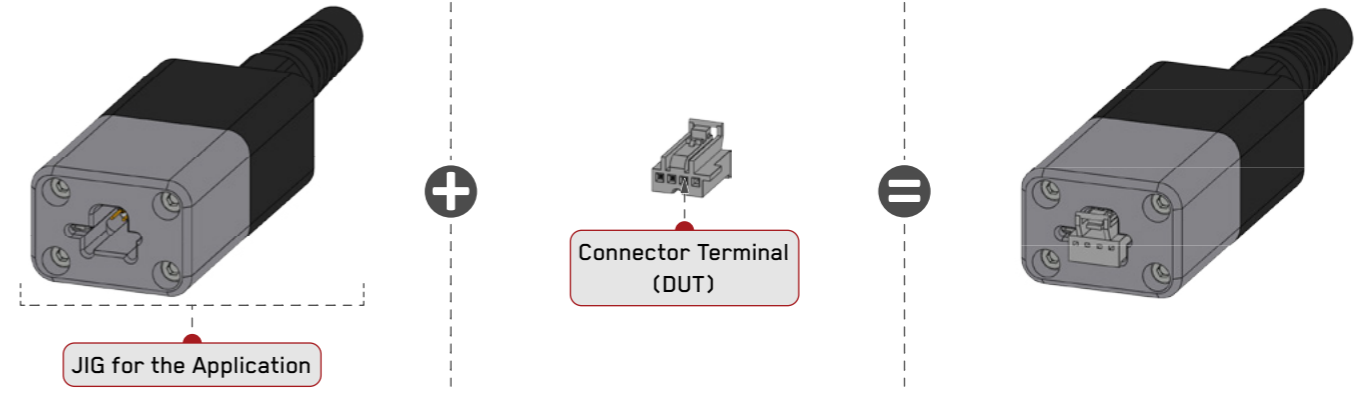
This Jig features a PEEK material probe cap for enhanced thermal and mechanical resistance.

It is equipped with an Equip-Test threaded probe TT1000 TA04 S rated for 5A, ensuring stable current flow during testing. Contact verification is guaranteed by an Equip-Test threaded switch probe SWT1005 IW93 M, providing accurate connection confirmation.

It includes a cable gland for secure cable management and strain relief.



DUT Number	1745060-1	General Information
DUT Manufacturer	TE Connectivity	Jig Type: Hand Operated Test Jig
Receptacle(s) + Test Probe(s)	RCT067 SR04 + TT1000 TA04 S (5A) RCT079 QE03 + SWT1005 IW93 MX (3A)	
Cable Gland Size	M25 x 1.5	



Equip-Test Spring Loaded Probe connects to DUT Terminal

1	2	3
Receptacle (Socket)	Test Probe	Terminal Nr.
RCT079 SR08	TT1005 RB04 MX	1-929170-1B

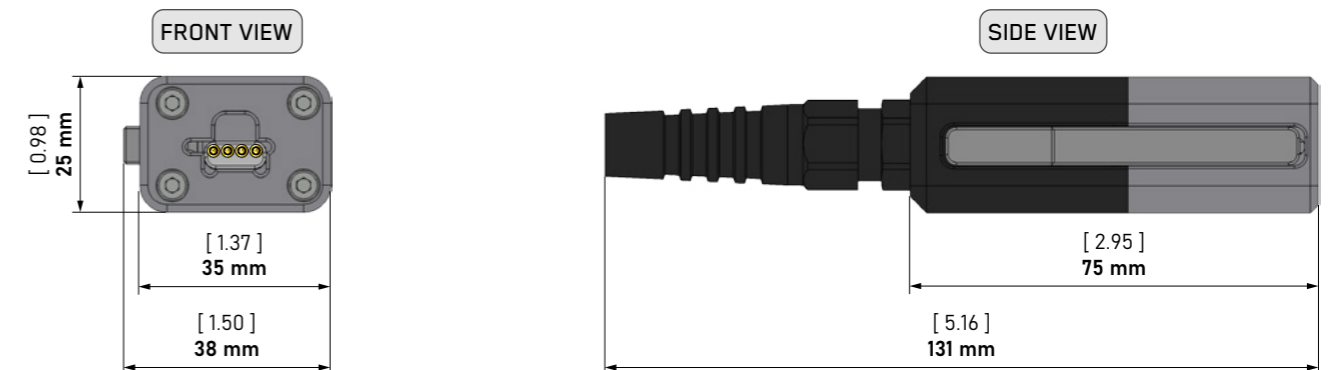
Tools for RCT079 SR08	
Insertion Bit / Handle TBR10036 / TH1	Extraction Bit / Handle TBR10071 / TH2
Tools for TT1005 RB04 MX	
Insertion Bit / Handle TBT10079 / TH3	Extraction Bit / Handle TBT10079 / TH3

**Streamlining TE Connectivity Connector Testing:
TE1-929170-1B - JIG**

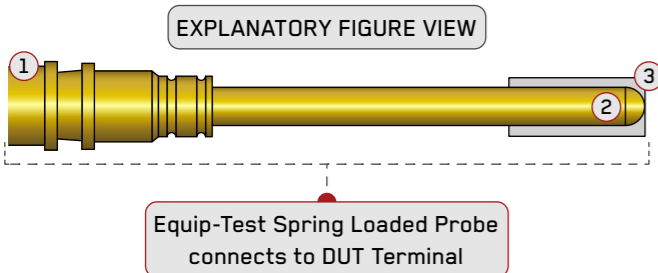
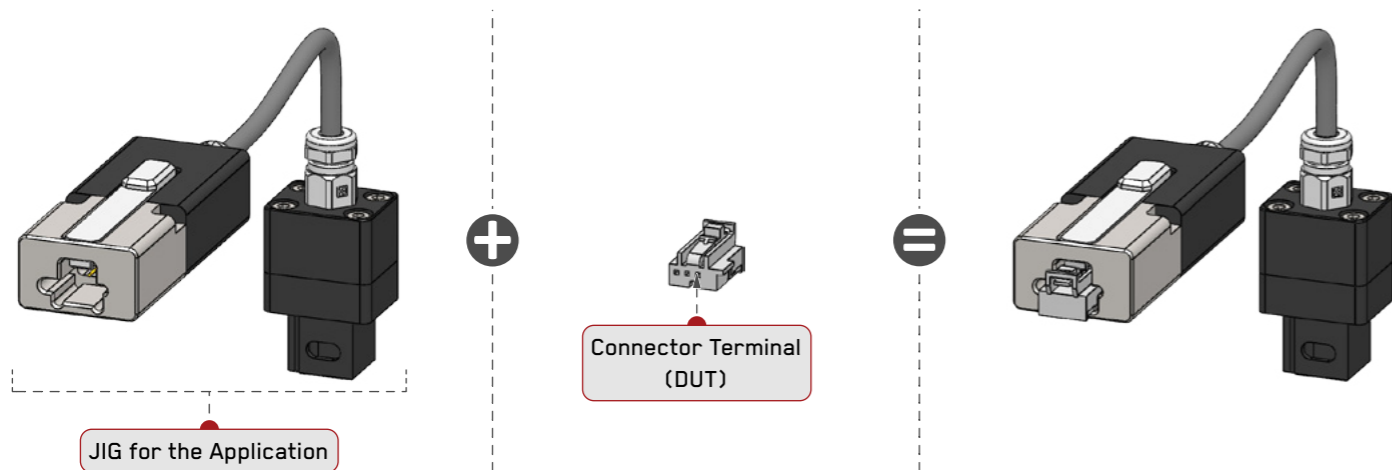
The TE1-929170-1B - JIG is a hand operated Test Jig engineered specifically for TE Connectivity connectors, delivering reliable and efficient testing performance.

Equipped with an Equip-Test threaded probe TT1005 RB04 MX rated for 5A, it ensures stable and consistent current transmission during testing.

The Jig also features a cable gland for secure cable management and strain relief.



DUT Number	1-929170-1B	General Information
DUT Manufacturer	TE Connectivity	Jig Type: Hand Operated Test Jig
Receptacle(s) + Test Probe(s)	RCT079 SR08 + TT1005 RB04 MX (5A)	
Cable Gland Size	M12 x 1.5	



Streamlining TE Connectivity Connector Testing: TE1-929170-4 - JIG

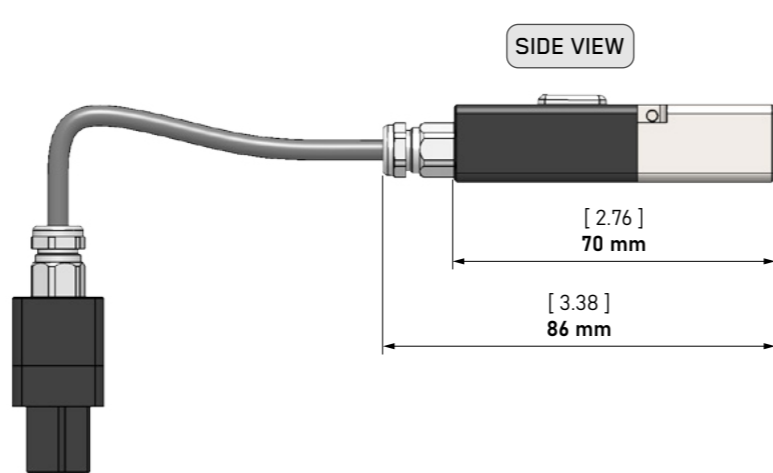
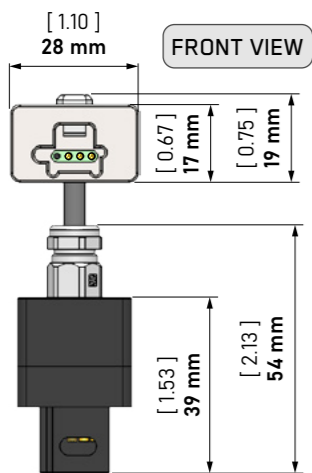
The TE1-929170-4 - JIG consists of two interconnected hand operated Test Jigs, designed specifically for TE Connectivity connectors and linked with customer-specific cable types and lengths for tailored testing solutions.

Each jig features an Equip-Test threaded probe TT750 RA04 N rated for 3A, ensuring reliable current transmission during testing procedures.

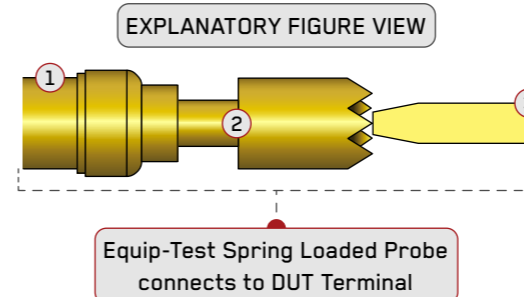
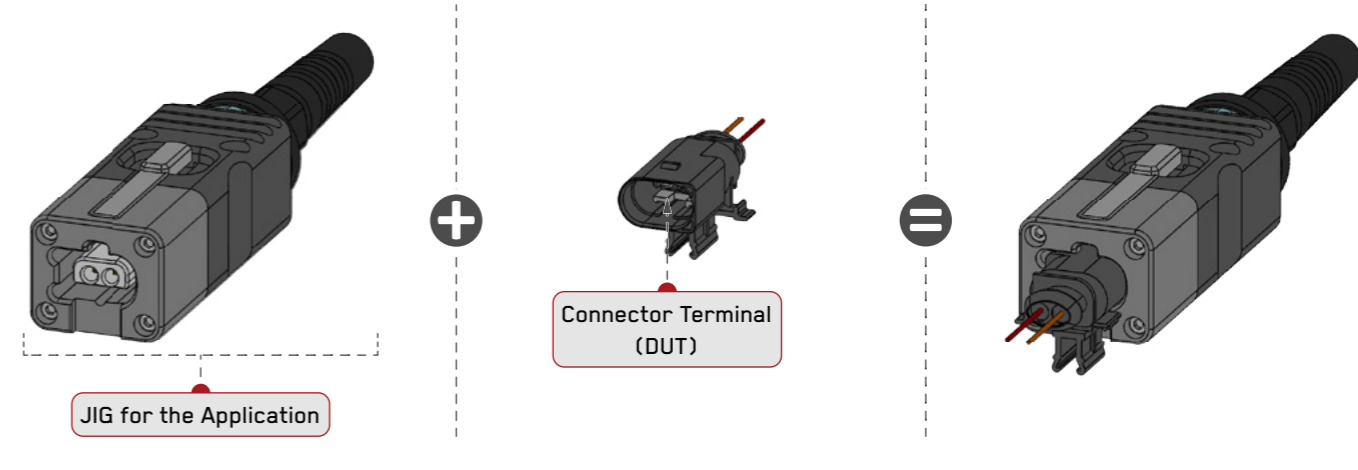
The Jig includes integrated cable glands for secure cable management and strain relief.

1	2	3
Receptacle (Socket)	Test Probe	Terminal Nr.
RCT052 SR03	TT750 RA04 N	1-929170-4

Tools for RCT052 SR03	
Insertion Bit / Handle TBR7535 / TH1	Extraction Bit / Handle TBR7570 / TH2
Tools for TT750 RA04 N	
Insertion Bit / Handle TBT7571 / TH3	Extraction Bit / Handle TBT7571 / TH3



DUT Number	1-929170-4	General Information
DUT Manufacturer	TE Connectivity	Jig Type: Hand Operated Test Jig
Receptacle(s) + Test Probe(s)	RCT052 SR03 + TT750 RA04 N (3A)	
Cable Gland Size	M8 x 1	



Streamlining TE Connectivity Connector Testing: TE1-966867 - JIG

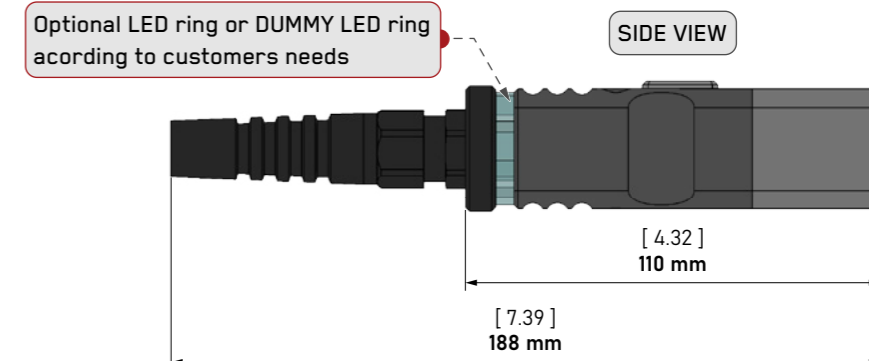
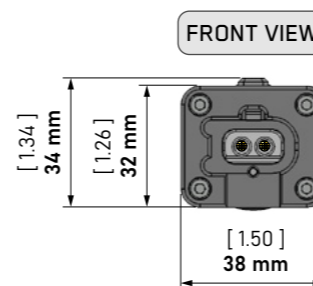
The TE1-966867 - JIG is a hand operated Test Jig designed for TE Connectivity connectors.

It features an Equip-Test threaded probe TT1005 CG07 MX rated for 5A, ensuring reliable current transfer. Contact verification is hand operated by an Equip-Test threaded switch probe SWT1005 IW93 M for accurate connection confirmation.

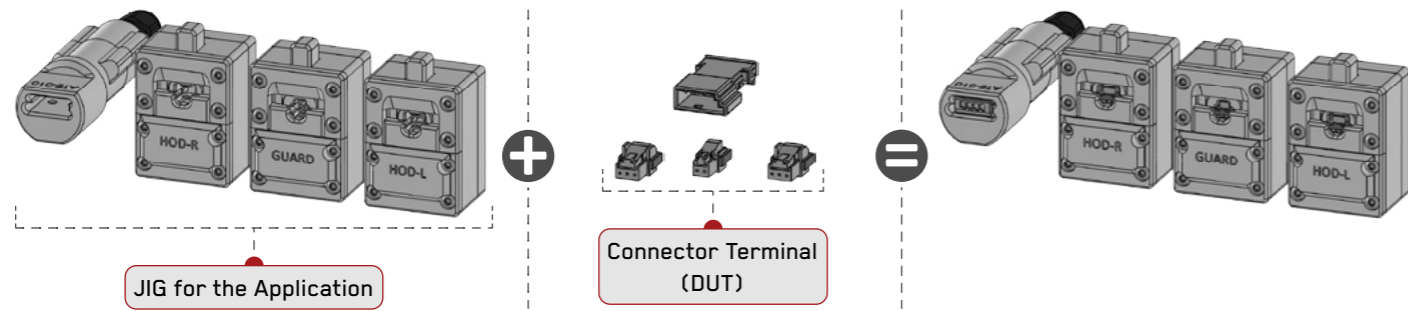
A built-in LED ring offers visual feedback, and a secure cable gland ensures neat, durable cable routing.

1	2	3
Receptacle (Socket)	Test Probe	Terminal Nr.
RCT079 SR08	TT1005 CG07 MX	1-966867

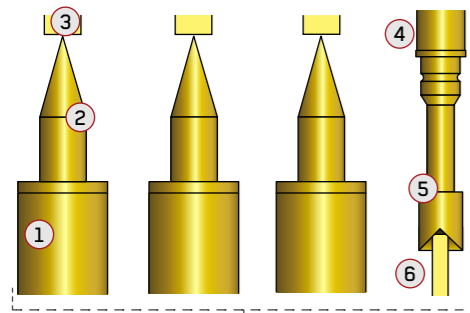
Tools for RCT079 SR08		Tools for RCT079 QE03	
Insertion Bit / Handle TBR10036 / TH1	Extraction Bit / Handle TBR10071 / TH2	Insertion Bit / Handle TBR10036 / TH1	Extraction Bit / Handle TBR10071 / TH2
Tools for TT1005 CG07 MX		Tools for SWT1005 IW93 M	
Insertion Bit / Handle TBT10079 / TH3	Extraction Bit / Handle TBT10079 / TH3	Insertion Bit / Handle TBT10079 / TH3	Extraction Bit / Handle TBT10079 / TH3



DUT Number	1-966867	General Information
DUT Manufacturer	TE Connectivity	Jig Type: Hand Operated Test Jig Optional Configuration: Optional LED ring or DUMMY LED ring
Receptacle(s) + Test Probe(s)	RCT079 SR08 + TT1005 CG07 MX (5A) RCT079 QE03 + SWT1005 IW93 M (3A)	
Cable Gland Size	M16 x 1.5	



EXPLANATORY FIGURE VIEW



Equip-Test Spring Loaded Probe connects to DUT Terminal

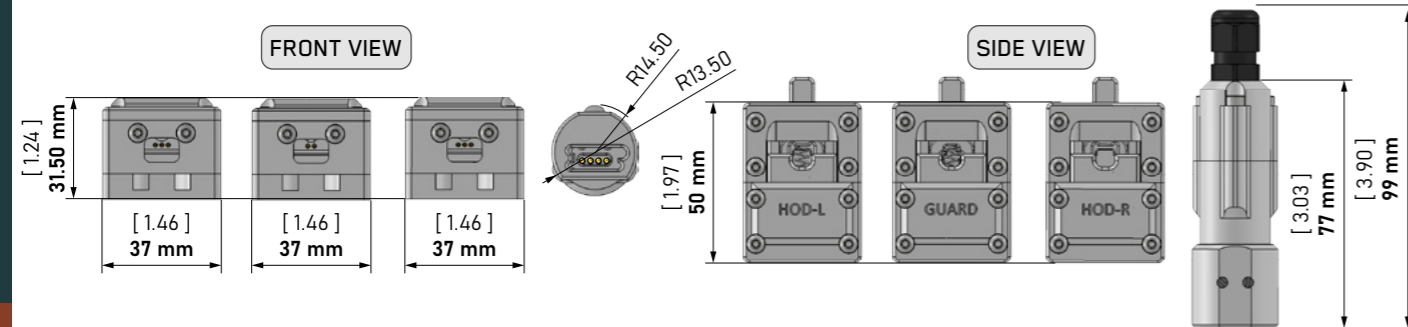
Streamlining TE & JST Connectivity Connector Testing: TE1-968696-3 - JIG & JSTPARP-02V/03V - JIG

The TE1-968696-3 - JIG is a precision hand operated Test Jig for TE Connectivity and J.S.T. Mfg. Co. connectors, offering versatility and reliability for complex testing. Equipped with Equip-Test ICT probes:

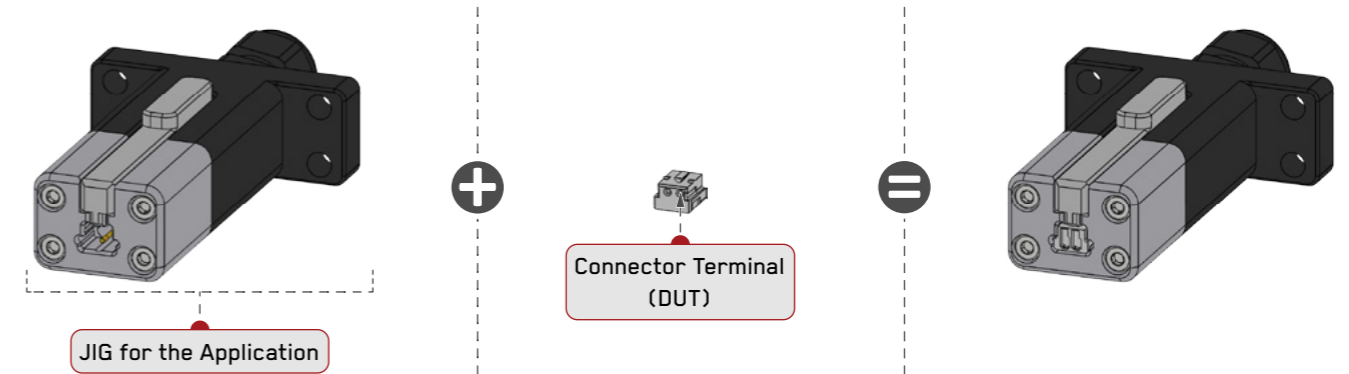
- ST1000 TA04 N probe: Up to 8A for high-current applications.
 - ST755 UB04 M probe: 3A for accurate low-current testing.
- ST755 UB04 M probes are integrated across the HOD-L, GUARD, and HOD-R Jigs, providing a comprehensive solution for diverse test scenarios.

1	2	3	4	5	6
Receptacle (Socket)	Test Probe	Terminal Nr.	Receptacle (Socket)	Test Probe	Terminal Nr.
RCP052 SR09	ST755 UB04 M	PARP-02V/PARP-03V	RCP066 SR03	ST1000 TA04 N	1-968696-3

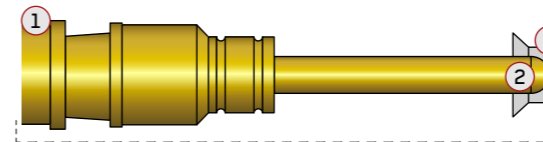
Tools for RCP052 SR09		Tools for RCP066 SR03	
Insertion Bit / Handle TBR7535 / TH1	Extraction Bit / Handle TBR7570 / TH1	Insertion Bit / Handle TBR10035 / TH1	Extraction Bit / Handle TBR10070 / TH1
Tools for ST755 UB04 M		Tools for ST1000 TA04 N	
Insertion Bit / Handle TBP7535 / TH1	Extraction Bit / Handle TBP7570 / TH1	Insertion Bit / Handle TBR10070 / TH1	Extraction Bit / Handle TBR10070 / TH2



DUT Number	1-968696-3 PARP-02V PARP-03V	General Information
DUT Manufacturer	TE Connectivity JST JST	Jig Type: Hand Operated Test Jig
Receptacle(s) + Test Probe(s)	RCP052 SR09 + ST755 UB04 M (3A) RCP066 SR03 + ST1000 TA04 N (8A)	
Cable Gland Size	M12 x 1.5	



EXPLANATORY FIGURE VIEW



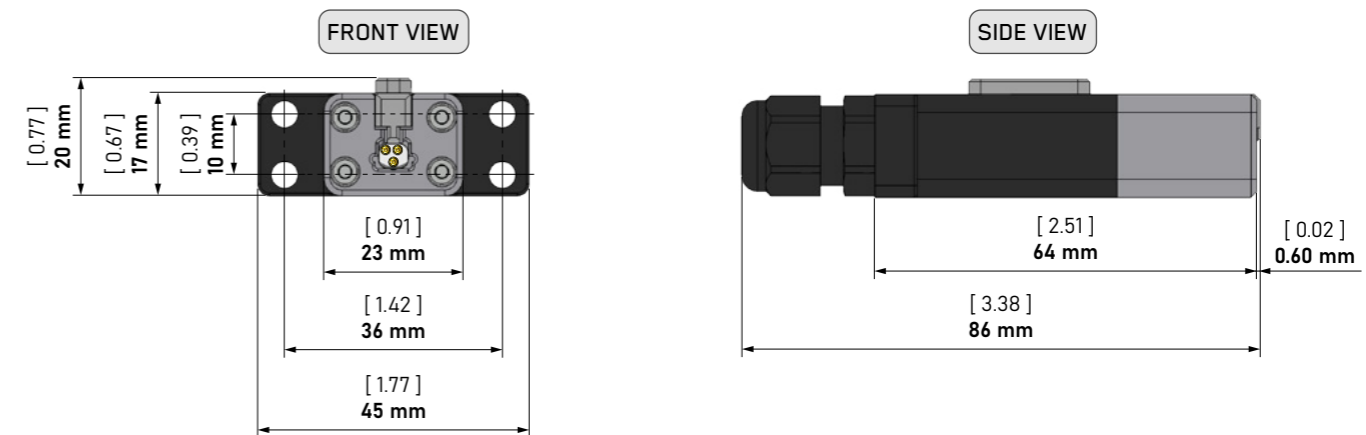
Equip-Test Spring Loaded Probe connects to DUT Terminal

1	2	3
Receptacle (Socket)	Test Probe	Terminal Nr.
RCT052 SR03	TT750 RB03 N	197228-2

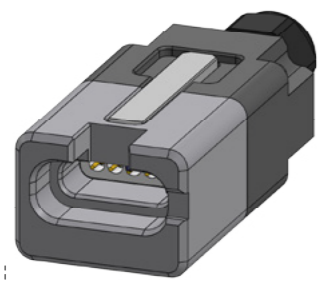
Streamlining TE Connectivity Connector Testing: TE197228-2 - JIG

The TE197228-2 - JIG is a mountable Test Jig designed for reliable and efficient testing of TE Connectivity connectors. It comes equipped with an Equip-Test threaded probe TT750 RB03 N rated for 3A, ensuring stable current transmission. For precise connection verification, it integrates an Equip-Test threaded switch probe SWT750 FA03 M. A cable gland is included for secure and organized cable routing.

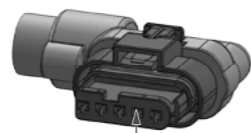
Tools for RCT052 SR03		Tools for RCT052 QR03	
Insertion Bit / Handle TBR7535 / TH1	Extraction Bit / Handle TBR7570 / TH2	Insertion Bit / Handle TBR7535 / TH1	Extraction Bit / Handle TBR7570 / TH2
Tools for TT750 RB03 N		Tools for SWT750 FA03 M	
Insertion Bit / Handle TBT7571 / TH3	Extraction Bit / Handle TBT7571 / TH3	Insertion Bit / Handle TBT7570 / TH3	Extraction Bit / Handle TBT7571 / TH3



DUT Number	197228-2	General Information
DUT Manufacturer	TE Connectivity	Jig Type: Mountable Test Jig
Receptacle(s) + Test Probe(s)	RCT052 SR03 + TT750 RB03 N (3A) RCT052 QR03 + SWT750 FA03 M (4A)	
Cable Gland Size	M12 x 1.5	

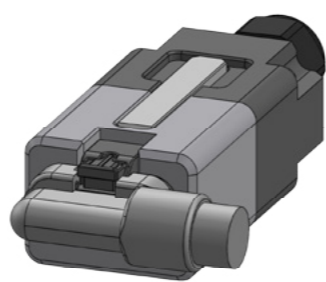


+

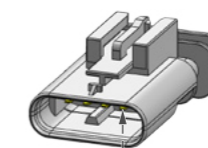


Connector Terminal (DUT)

=

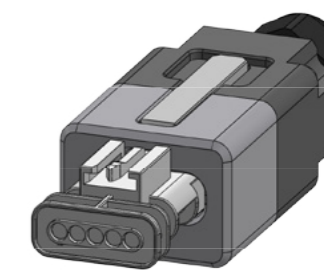


+



Connector Terminal (DUT)

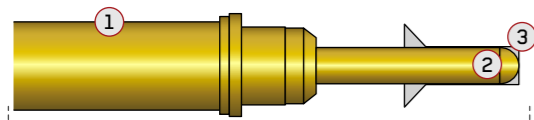
=



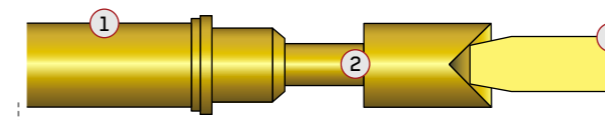
JIG for the Application

JIG for the Application

EXPLANATORY FIGURE VIEW



EXPLANATORY FIGURE VIEW



Equip-Test Spring Loaded Probe connects to DUT Terminal

Equip-Test Spring Loaded Probe connects to DUT Terminal

Streamlining TE Connectivity Connector Testing: TE2141520-1-JIG - 01

Streamlining TE Connectivity Connector Testing: TE2141520-1-JIG - 02

The TE2141520-1-JIG - 01 is a hand operated Test Jig designed for precise and reliable testing of TE Connectivity connectors.

It is equipped with an Equip-Test threaded probe TT1005 RB06 MX rated for 5A, ensuring stable and efficient current transmission.

The Jig also features a cable gland for secure cable entry and strain relief, improving durability and ease of use during operation.

The TE2141520-1-JIG - 02 is a hand operated Test Jig engineered for accurate and efficient testing of TE Connectivity connectors.

It features an Equip-Test threaded probe TT1005 TA05 MX rated for 5A, delivering reliable current transfer for demanding testing applications.

Additionally, the Jig is fitted with a cable gland to ensure secure cable entry and optimal strain relief for long-term durability.

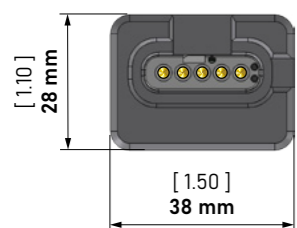
1	2	3
Receptacle (Socket)	Test Probe	Terminal Nr.
RCT079 SR08	TT1005 RB06 MX	2-1718806-1

1	2	3
Receptacle (Socket)	Test Probe	Terminal Nr.
RCT079 SR08	TT1005 TA05 MX	2141520-1

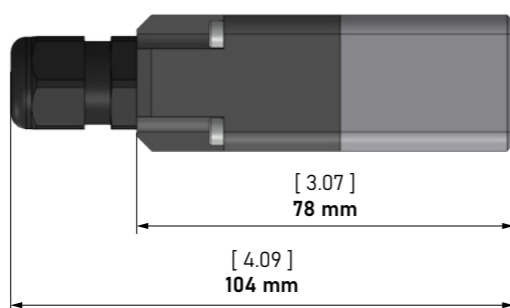
Tools for RCT079 SR08	
Insertion Bit / Handle TBR10036 / TH1	Extraction Bit / Handle TBR10071 / TH2
Tools for TT1005 RB06 MX	
Insertion Bit / Handle TBT10079 / TH3	Extraction Bit / Handle TBT10079 / TH3

Tools for RCT079 SR08	
Insertion Bit / Handle TBR10036 / TH1	Extraction Bit / Handle TBR10071 / TH2
Tools for TT1005 TA05 MX	
Insertion Bit / Handle TBT10079 / TH3	Extraction Bit / Handle TBT10079 / TH3

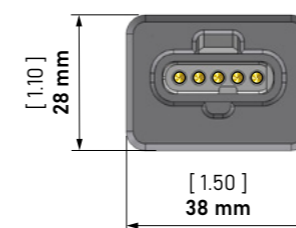
FRONT VIEW



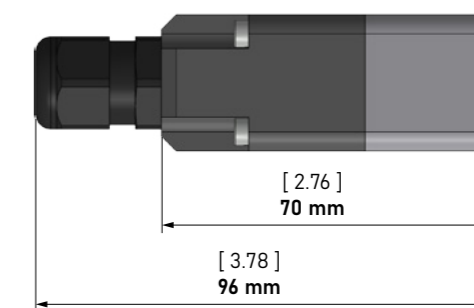
SIDE VIEW



FRONT VIEW

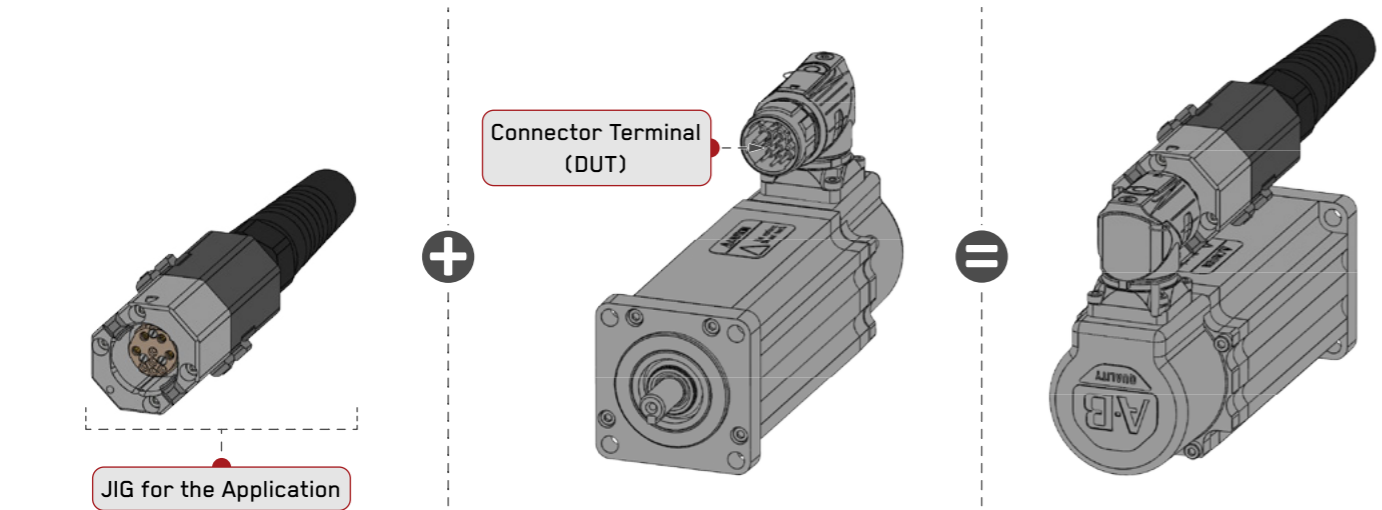


SIDE VIEW



DUT Number	2-1718806-1	General Information
DUT Manufacturer	TE Connectivity	
Receptacle(s) + Test Probe(s)	RCT079 SR08 + TT1005 RB06 MX (5A)	
Cable Gland Size	M16 x 1.5	
		Jig Type: Hand Operated Test Jig

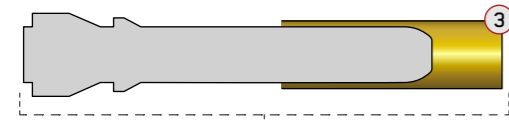
DUT Number	2141520-1	General Information
DUT Manufacturer	TE Connectivity	
Receptacle(s) + Test Probe(s)	RCT079 SR08 + TT1005 TA05 MX (5A)	
Cable Gland Size	M16 x 1.5	
		Jig Type: Hand Operated Test Jig



JIG for the Application

Connector Terminal (DUT)

EXPLANATORY FIGURE VIEW



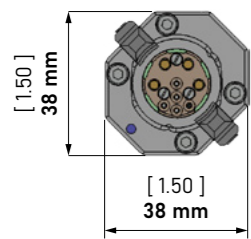
Specialized MTest Solutions contacts connect to the DUT terminal

Receptacle (Socket)	Test Probe	Terminal Nr.
Without Receptacle	Without Probe	22-0363-031-000

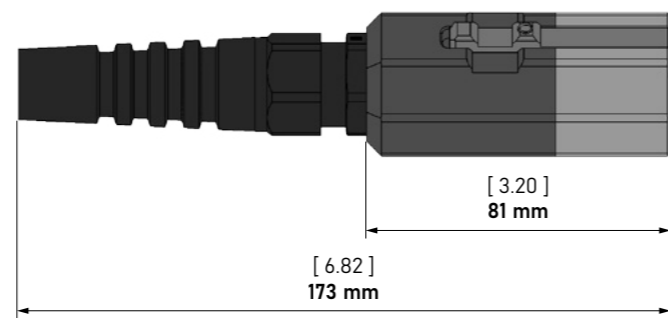
Streamlining TE Connectivity Connector Testing: TE22-0363-031-000 - JIG

The TE22-0363-031-000 - JIG is a hand operated Test Jig designed for TE Connectivity connectors, offering a specialized contact solution without traditional test probes or receptacles. This unique configuration ensures simplified hand operated testing and a direct, reliable connection during testing. To enhance durability and ease of integration, the Jig comes equipped with a cable gland, providing secure cable routing and strain relief.

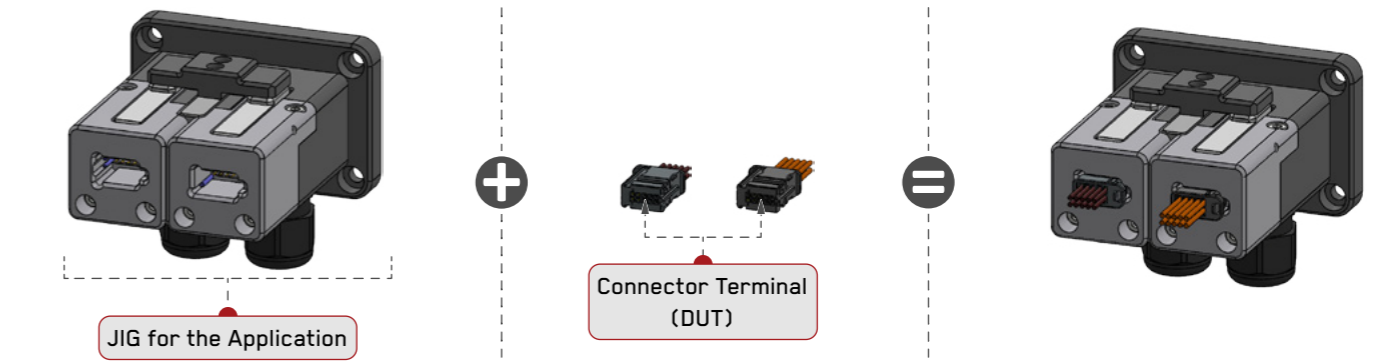
FRONT VIEW



SIDE VIEW



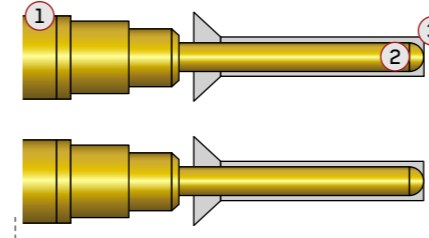
DUT Number	22-0363-031-000	General Information
DUT Manufacturer	TE Connectivity	Jig Type: Hand Operated Test Jig
Receptacle(s) + Test Probe(s)	Without Receptacle and Test Probe	
Cable Gland Size	M20 x 1.5	



JIG for the Application

Connector Terminal (DUT)

EXPLANATORY FIGURE VIEW



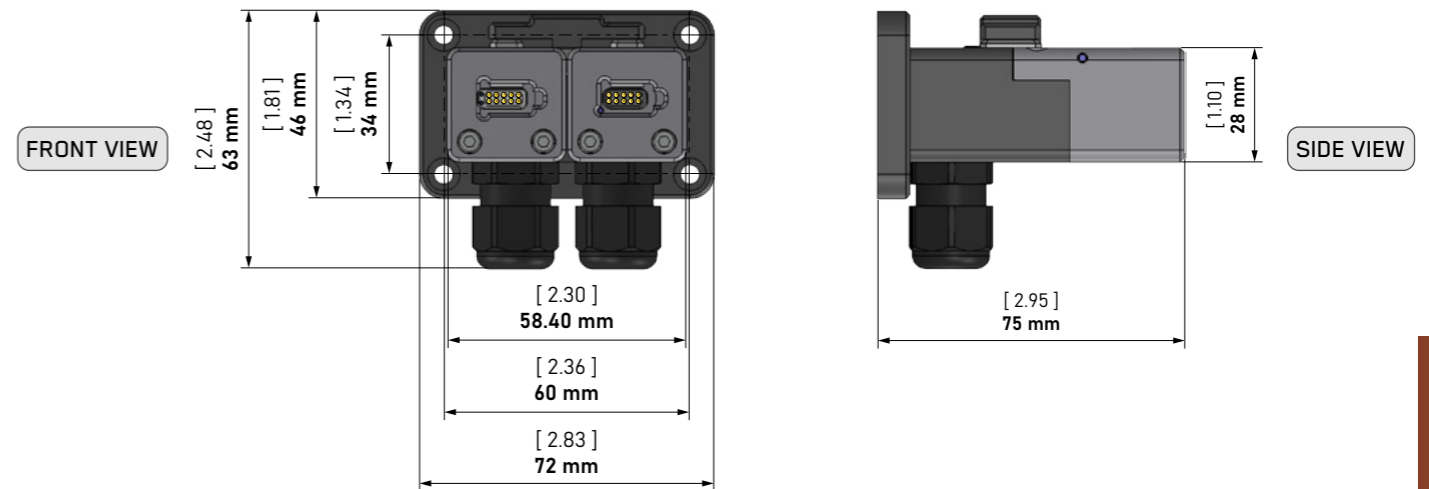
Equip-Test Spring Loaded Probe connects to DUT Terminal

1 Receptacle (Socket)	2 Test Probe	3 Terminal Nr.
RCT039 SR03	TT502 RA02 N	2208339-1

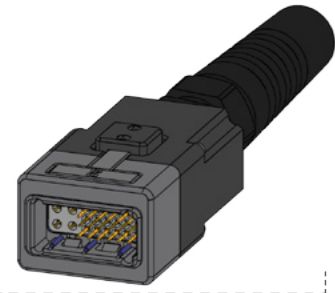
Tools for RCT039 SR03	
Insertion Bit / Handle TBR5035 / TH1	Extraction Bit / Handle TBR5070 / TH2
Tools for TT502 RA02 N	
Insertion Bit / Handle TBT5071 / TH3	Extraction Bit / Handle TBT5071 / TH3

Streamlining TE Connectivity Connector Testing: TE2208339-1 - JIG

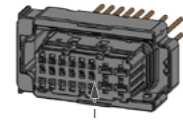
The TE2208339-1 - JIG is a mountable Test Jig designed for precise testing of TE Connectivity connectors. Its special dual-socket configuration allows simultaneous connection of two connectors, increasing efficiency in testing workflows. Equipped with an Equip-Test threaded probe TT502 RA02 N rated for 3A, this Jig ensures reliable current transmission. A cable gland is integrated for secure cable entry and strain relief, enhancing durability and usability.



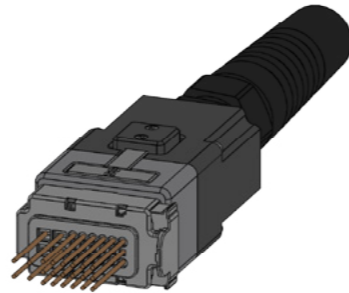
DUT Number	2208339-1 2208339-3	General Information
DUT Manufacturer	TE Connectivity	Jig Type: Mountable Test Jig
Receptacle(s) + Test Probe(s)	RCT039 SR03 + TT502 RA02 N (3A)	
Cable Gland Size	M16 x 1.5	



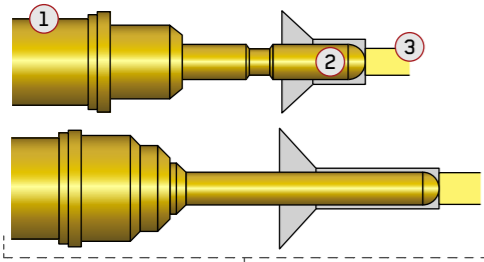
JIG for the Application



Connector Terminal (DUT)



EXPLANATORY FIGURE VIEW



HIGH CURRENT

Equip-Test Spring Loaded Probe connects to DUT Terminal

Streamlining TE Connectivity Connector Testing: 2298567-1 - JIG

The TE2298567-1 - JIG is a specialized hand operated Test Jig engineered for TE Connectivity connectors, featuring a unique multi-contact configuration within a single socket. This innovative design integrates three contact types for versatile, precise testing. The Jig is equipped with:

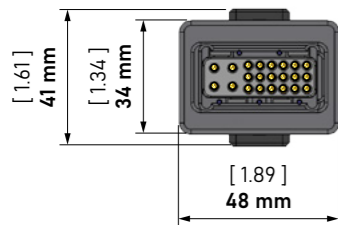
- Equip-Test high-current threaded probe HCT1005 RB04 MX (rated for 16A)
- Equip-Test threaded probe TT1005 RB04 M (rated for 5A)
- Equip-Test threaded probe TT1005 RB06 M (rated for 5A)

A cable gland is included for secure cable routing and improved durability, making this Jig a reliable choice for demanding testing environments.

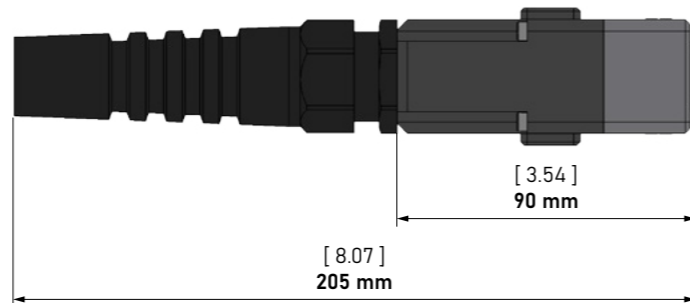
1	2	3
Receptacle (Socket)	Test Probe	Terminal Nr.
RCT079 SR08	TT1005 RB04 M	2298567-1

Tools for RCT079 SR08		Tools for RCT079 SR08		Tools for RCT079 SR08	
Insertion Bit / Handle TBR10036 / TH1	Extraction Bit / Handle TBR10071 / TH2	Insertion Bit / Handle TBR10036 / TH1	Extraction Bit / Handle TBR10071 / TH2	Insertion Bit / Handle TBR10036 / TH1	Extraction Bit / Handle TBR10071 / TH2
Tools for HCT1005 RB04 MX		Tools for TT1005 RB04 M		Tools for TT1005 RB06 M	
Insertion Bit / Handle TBT10079 / TH3	Extraction Bit / Handle TBT10079 / TH3	Insertion Bit / Handle TBT10079 / TH3	Extraction Bit / Handle TBT10079 / TH3	Insertion Bit / Handle TBT10079 / TH3	Extraction Bit / Handle TBT10079 / TH3

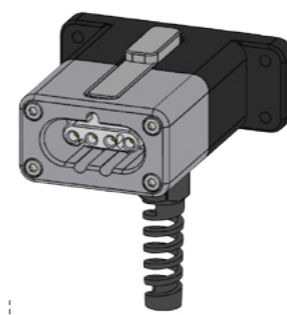
FRONT VIEW



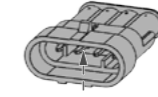
SIDE VIEW



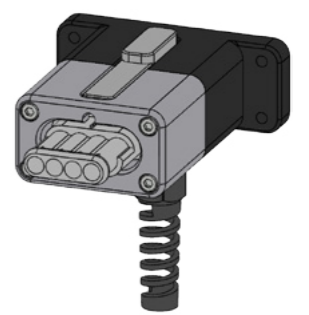
DUT Number	2298567-1	General Information
DUT Manufacturer	TE Connectivity	Jig Type: Hand Operated Test Jig
Receptacle(s) + Test Probe(s)	RCT079 SR08 + HCT1005 RB04 MX (16A)	
	RCT079 SR08 + TT1005 RB04 M (5A) RCT079 SR08 + TT1005 RB06 M (5A)	
Cable Gland Size	M25 x 1.5	



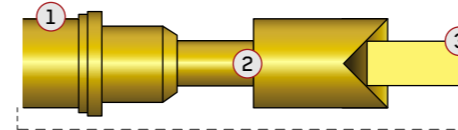
JIG for the Application



Connector Terminal (DUT)



EXPLANATORY FIGURE VIEW



Equip-Test Spring Loaded Probe connects to DUT Terminal

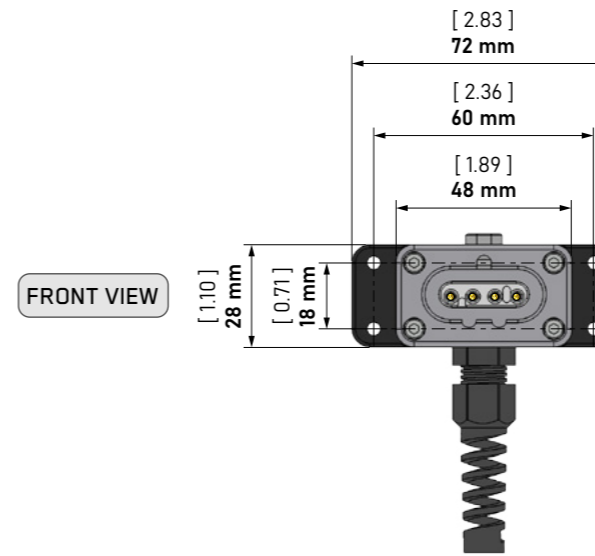
Streamlining TE Connectivity Connector Testing: TE282106-1 - JIG

The TE282106-1 - JIG is a mountable Test Jig designed for reliable and precise testing of TE Connectivity connectors. It features an Equip-Test threaded probe TT1005 TA05 MX capable of hand operated testing up to 5A, ensuring stable and accurate electrical connections during testing.

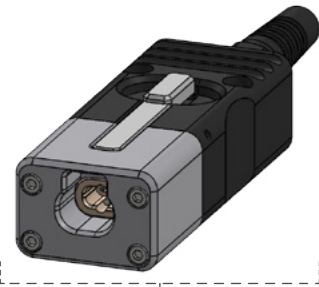
For improved usability and secure cable routing, the Jig is equipped with a specially positioned side-mounted cable gland, providing enhanced accessibility and strain relief.

1	2	3
Receptacle (Socket)	Test Probe	Terminal Nr.
RCT079 SR08	TT1005 TA05 MX	282106-1

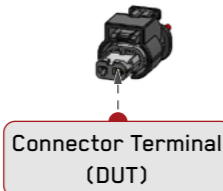
Tools for RCT079 SR08	
Insertion Bit / Handle TBR10036 / TH1	Extraction Bit / Handle TBR10071 / TH2
Tools for TT1005 TA05 MX	
Insertion Bit / Handle TBT10079 / TH3	Extraction Bit / Handle TBT10079 / TH3



DUT Number	282106-1	General Information
DUT Manufacturer	TE Connectivity	Jig Type: Mountable Test Jig
Receptacle(s) + Test Probe(s)	RCT079 SR08 + TT1005 TA05 MX (5A)	
Cable Gland Size	M12	



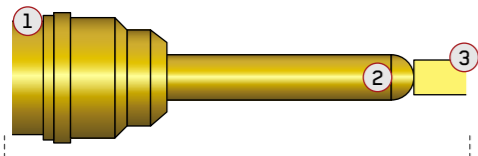
JIG for the Application



Connector Terminal (DUT)



EXPLANATORY FIGURE VIEW



Equip-Test Spring Loaded Probe connects to DUT Terminal

Streamlining TE Connectivity Connector Testing: TE3-1718647-1 - JIG

The TE3-1718647-1 - JIG is a dual-pole hand operated Test Jig designed specifically for TE Connectivity connectors, ensuring precise and reliable contact in demanding applications. Constructed with a high-strength PEEK probe cap for superior durability and insulation.

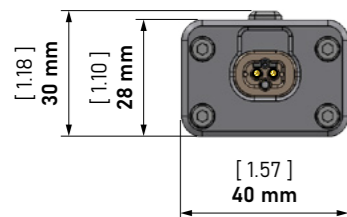
This Jig integrates an Equip-Test threaded probe TT1005 RB06 MX capable of hand operated testing up to 5A. For added reliability, it features an Equip-Test threaded switch probe SWT1005 IW93 M for accurate contact engagement verification.

The integrated cable gland provides excellent cable strain relief and secure connectivity, making it a robust solution for professional testing environments.

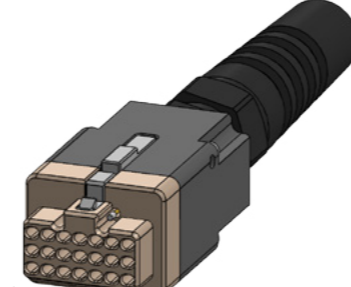
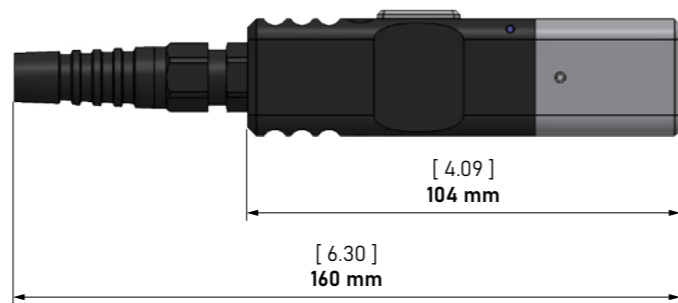
1	2	3
Receptacle (Socket)	Test Probe	Terminal Nr.
RCT079 SR08	TT1005 RB06 MX	3-1718647-1

Tools for RCT079 SR08		Tools for RCT079 QE03	
Insertion Bit / Handle TBR10036 / TH1	Extraction Bit / Handle TBR10071 / TH2	Insertion Bit / Handle TBR10036 / TH1	Extraction Bit / Handle TBR10071 / TH2
Tools for TT1005 RB06 MX		Tools for SWT1005 IW93 M	
Insertion Bit / Handle TBT10079 / TH3	Extraction Bit / Handle TBT10079 / TH3	Insertion Bit / Handle TBT10079 / TH3	Extraction Bit / Handle TBT10079 / TH3

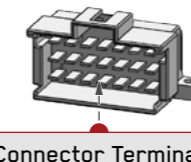
FRONT VIEW



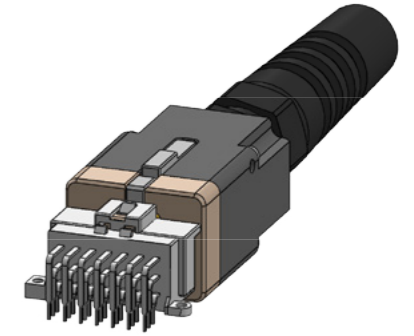
SIDE VIEW



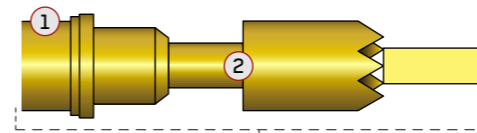
JIG for the Application



Connector Terminal (DUT)



EXPLANATORY FIGURE VIEW



Equip-Test Spring Loaded Probe connects to DUT Terminal



Streamlining TE Connectivity Connector Testing: TE4-966140-6 - JIG

The TE4-966140-6 - JIG is a hand operated Test Jig engineered for TE Connectivity connectors, combining durability and precision for demanding testing environments.

This Jig features a PEEK material probe cap for enhanced thermal and mechanical resistance.

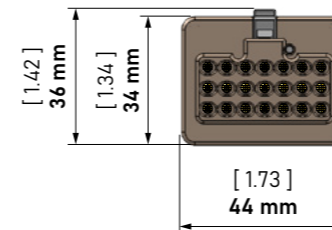
It is equipped with a high-current Equip-Test threaded probe HCT1005 CG05 M rated for 16A, ensuring robust and stable connections. For precise engagement monitoring, it incorporates an Equip-Test threaded switch probe SWT1005 IW93 M.

An integrated cable gland provides secure cable management and strain relief, making this jig an excellent choice for professional testing applications.

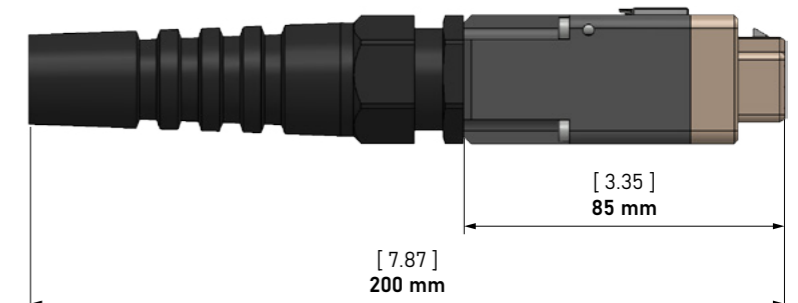
1	2	3
Receptacle (Socket)	Test Probe	Terminal Nr.
RCT079 SR08	HCT1005 CG05 M	4-966140-6

Tools for RCT079 SR08		Tools for RCT079 QE03	
Insertion Bit / Handle TBR10036 / TH1	Extraction Bit / Handle TBR10071 / TH2	Insertion Bit / Handle TBR10036 / TH1	Extraction Bit / Handle TBR10071 / TH2
Tools for HCT1005 RB04 MX		Tools for SWT1005 IW93 M	
Insertion Bit / Handle TBT10079 / TH3	Extraction Bit / Handle TBT10079 / TH3	Insertion Bit / Handle TBT10079 / TH3	Extraction Bit / Handle TBT10079 / TH3

FRONT VIEW



SIDE VIEW

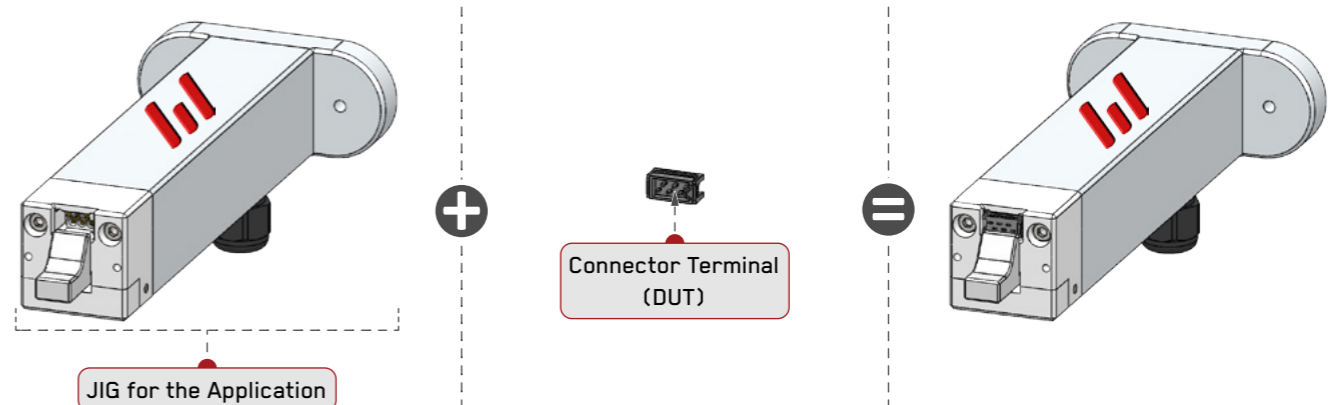
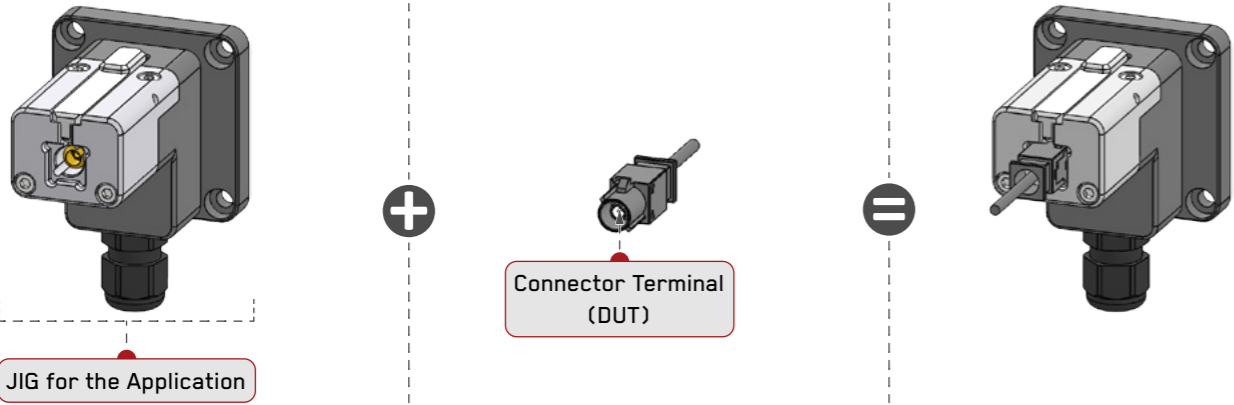


DUT Number	3-1718647-1	General Information
DUT Manufacturer	TE Connectivity	Jig Type: Hand Operated Test Jig
Receptacle(s) + Test Probe(s)	RCT079 SR08 + TT1005 RB06 MX (5A) RCT079 QE03 + SWT1005 IW93 M (3A)	
Cable Gland Size	M12 x 1.5	

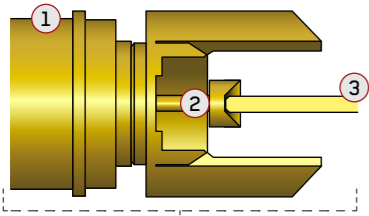
DUT Number	4-966140-6	General Information
DUT Manufacturer	TE Connectivity	Jig Type: Hand Operated Test Jig
Receptacle(s) + Test Probe(s)	RCT079 SR08 + HCT1005 CG05 M (16A) RCT079 QE03 + SWT1005 IW93 M (3A)	
Cable Gland Size	M25 x 1.5	

TE CONNECTIVITY

TE CONNECTIVITY



EXPLANATORY FIGURE VIEW



Equip-Test Spring Loaded Probe connects to DUT Terminal

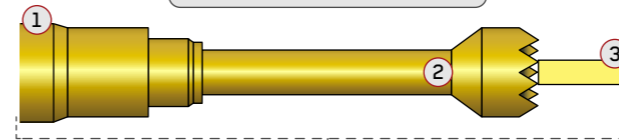
1	2	3
Receptacle (Socket)	Test Probe	Terminal Nr.
RRFT1	RFT6 MCX 0001 S	6QO 035 575 B

Tools for RFT6 MCX 0001 S	
Insertion Bit / Handle TBT25072 / TH3	Extraction Bit / Handle TBT25072 / TH3

Streamlining TE Connectivity Connector Testing:
TE6QO 035 575 B - JIG

The TE6QO 035 575 B - JIG is a precision-engineered mountable Test Jig designed specifically for TE Connectivity connectors. Built for reliability and ease of integration, it ensures consistent testing performance in demanding environments. This Jig features an Equip-Test Radio Frequency probe RFT6 MCX 0001 S, delivering accurate and stable contact for RF applications. To enhance durability and ensure secure cable management, it comes equipped with a robust cable gland.

EXPLANATORY FIGURE VIEW



Equip-Test Spring Loaded Probe connects to DUT Terminal

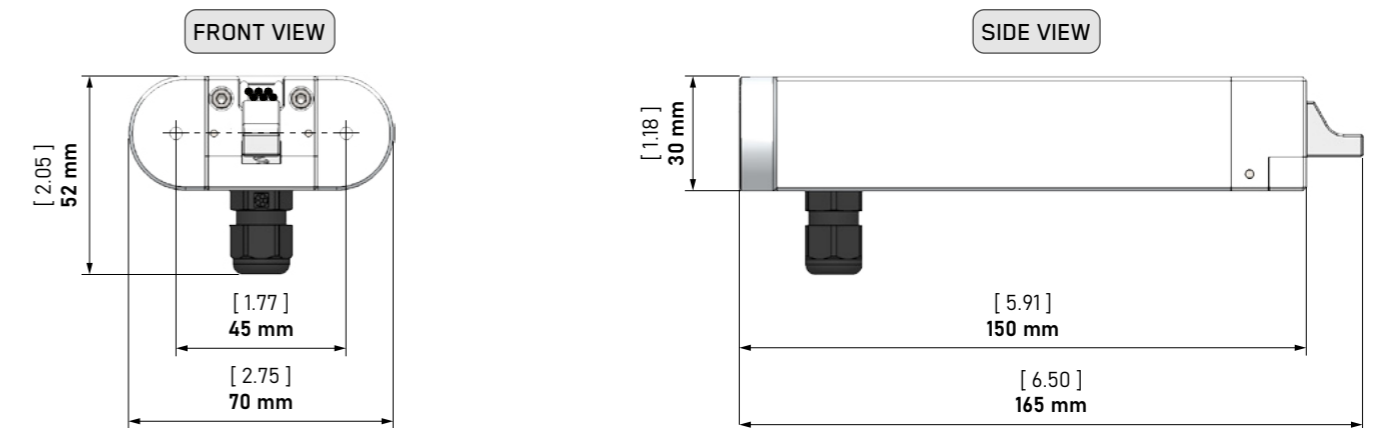
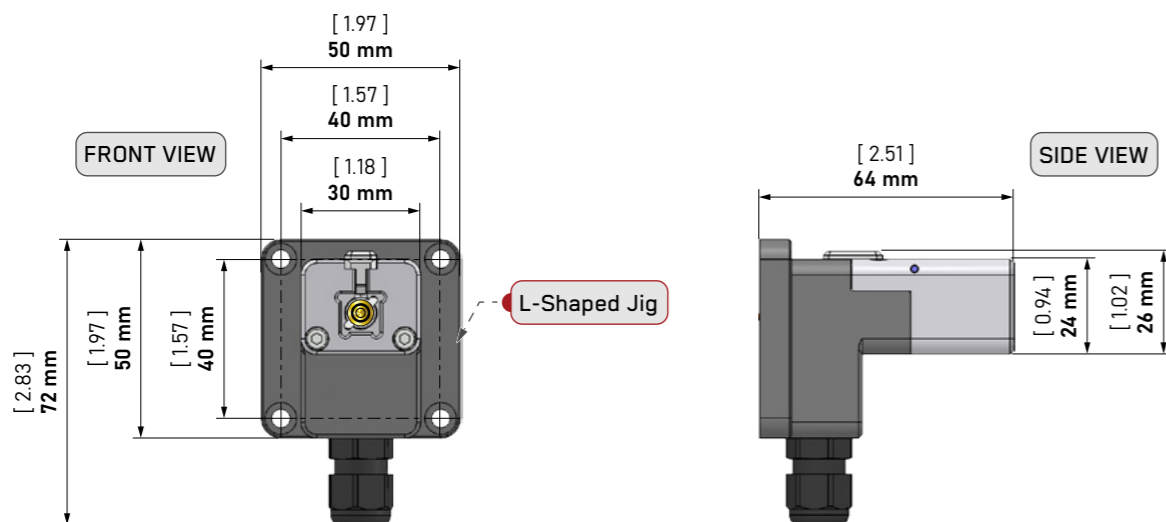
1	2	3
Receptacle (Socket)	Test Probe	Terminal Nr.
RCP052 SR03	LF750 CG06 S	7-215083-6

Tools for RCP052 SR03	
Insertion Bit / Handle TBR7535 / TH1	Extraction Bit / Handle TBR7570 / TH1

Tools for LF750 CG06 S	
Insertion Bit / Handle TBP7535 / TH1	Extraction Bit / Handle TBP7570 / TH1

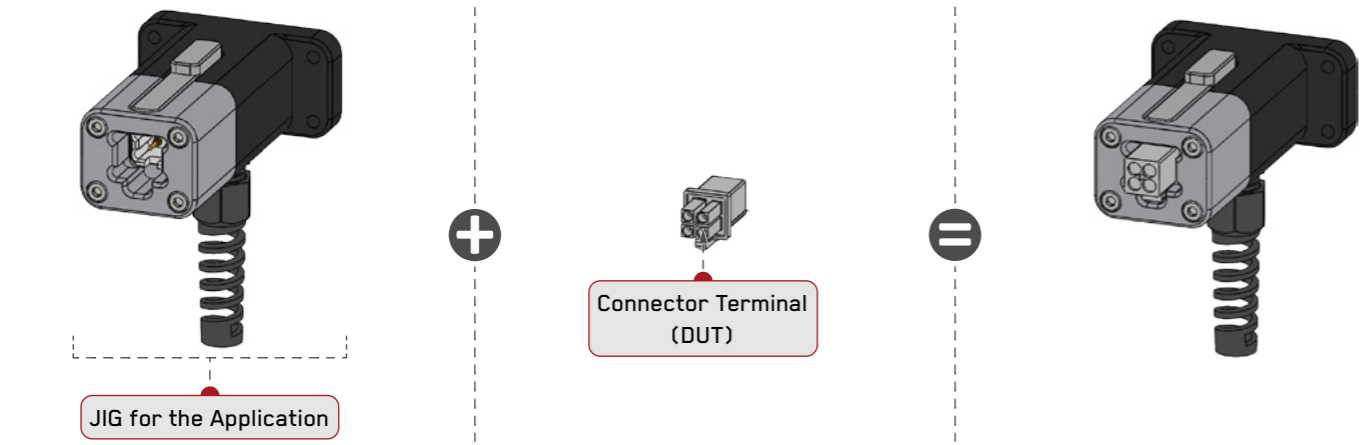
Streamlining TE Connectivity Connector Testing:
TE7-215083-6 - JIG

The TE7-215083-6 - JIG is a specialized, compact mountable Test Jig designed for TE Connectivity connectors. Its space-saving design makes it ideal for applications where testing precision is required in limited spaces. This jig features an Equip-Test Lead-Free Probe LF750 CG06 S capable of hand operatedling up to 3A, ensuring reliable, eco-friendly contact performance. A specially positioned cable gland provides secure cable management and strain relief, enhancing durability and usability.

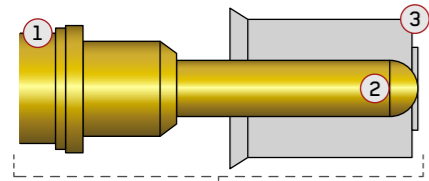


DUT Number	6QO 035 575 B	General Information
DUT Manufacturer	TE Connectivity	Jig Type: Mountable Test Jig
Receptacle(s) + Test Probe(s)	RRFT1 + RFT6 MCX 0001 S	Shape Design: L-Shaped design
Cable Gland Size	M12 x 1.5	

DUT Number	7-215083-6	General Information
DUT Manufacturer	TE Connectivity	Jig Type: Mountable Test Jig
Receptacle(s) + Test Probe(s)	RCP052 SR03 + LF750 CG06 S (3A)	
Cable Gland Size	M12 x 1.5	



EXPLANATORY FIGURE VIEW



Equip-Test Spring Loaded Probe connects to DUT Terminal

1	2	3
Receptacle (Socket)	Test Probe	Terminal Nr.
RCT079 SR08	TT1005 RA07 MX	794805-1

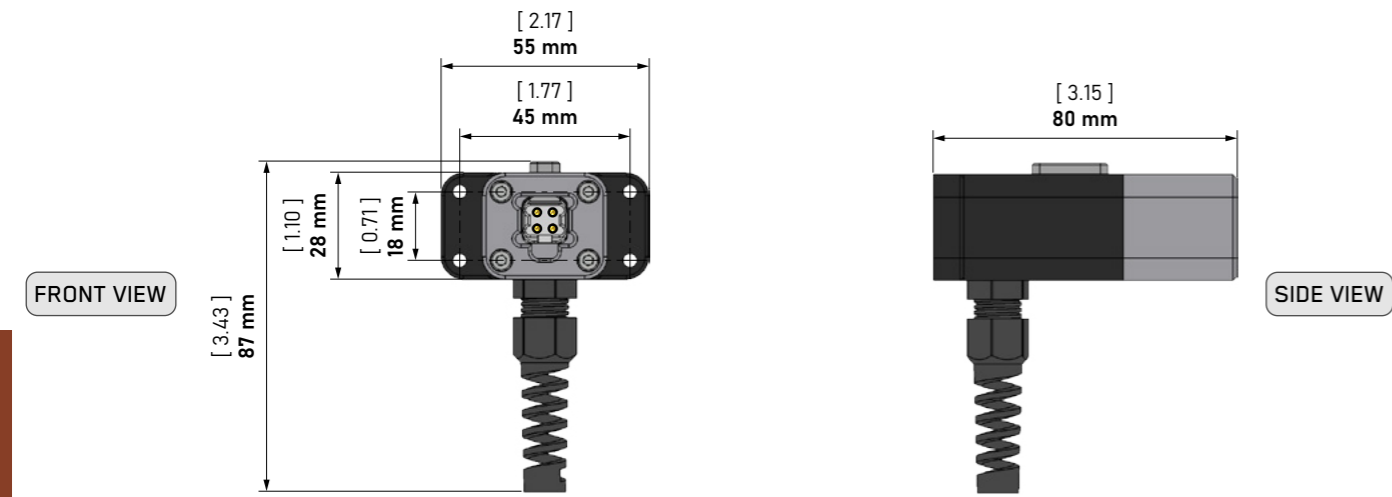
Tools for RCT079 SR08	
Insertion Bit / Handle TBR10036 / TH1	Extraction Bit / Handle TBR10071 / TH2
Tools for TT1005 RA07 MX	
Insertion Bit / Handle TBT10079 / TH3	Extraction Bit / Handle TBT10079 / TH3

Streamlining TE Connectivity Connector Testing: TE794805-1 - JIG

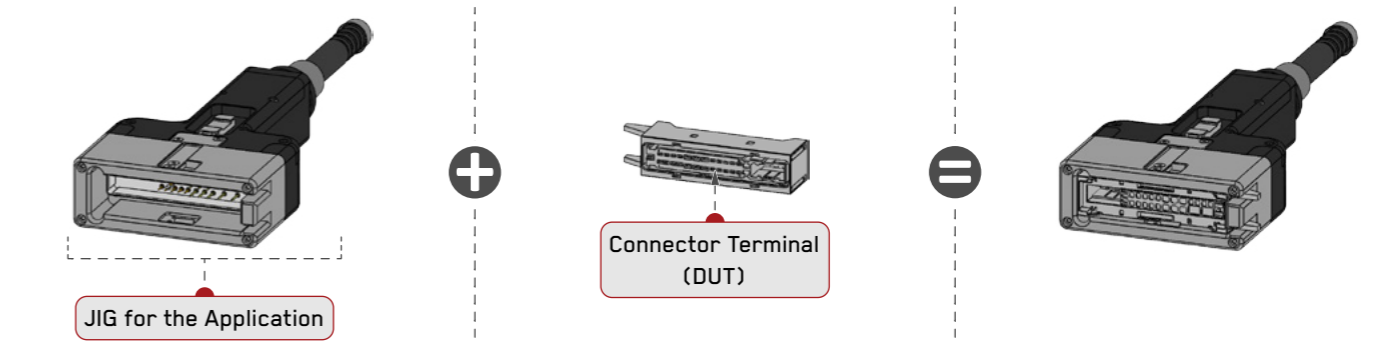
The TE794805-1 - JIG is a precision-engineered, 4-pole mountable Test Jig designed specifically for TE Connectivity connectors. Built for reliable performance, it ensures consistent and accurate contact during testing.

Equipped with a high-quality Equip-Test threaded probe TT1005 RA07 MX capable of carrying up to 5A, this Jig offers robust electrical performance.

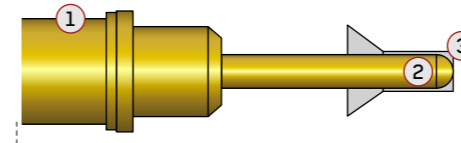
A specially positioned side-mounted cable gland ensures secure and organized cable routing, improving safety and ease of use.



DUT Number	794805-1	General Information
DUT Manufacturer	TE Connectivity	Jig Type: Mountable Test Jig
Receptacle(s) + Test Probe(s)	RCT079 SR08 + TT1005 RA07 MX (5A)	
Cable Gland Size	M12	



EXPLANATORY FIGURE VIEW



Equip-Test Spring Loaded Probe connects to DUT Terminal

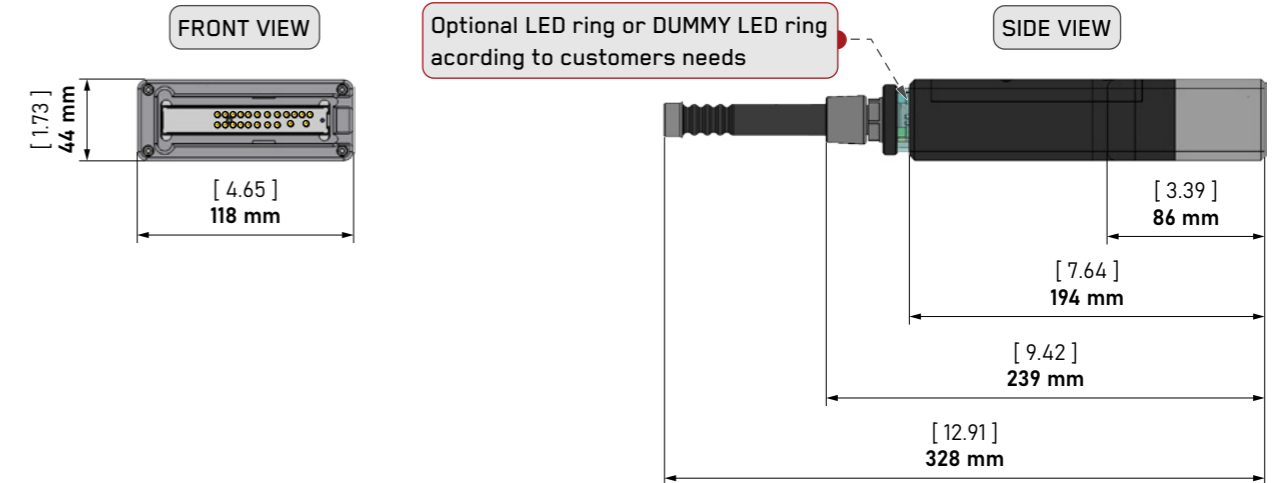
1	2	3
Receptacle (Socket)	Test Probe	Terminal Nr.
RCT079 SR18	TT1005 RB09 MX	C-1534399

Tools for RCT079 SR18		Tools for RCT079 SR18		Tools for RCT079 QE03	
Insertion Bit / Handle TBR10036 / TH1	Extraction Bit / Handle TBR10071 / TH2	Insertion Bit / Handle TBR10036 / TH1	Extraction Bit / Handle TBR10071 / TH2	Insertion Bit / Handle TBR10036 / TH1	Extraction Bit / Handle TBR10071 / TH2
Tools for TT1005 RB09 MX		Tools for TT1005 RB04 MX		Tools for SWT1005 IW93 M	
Insertion Bit / Handle TBT10079 / TH3	Extraction Bit / Handle TBT10079 / TH3	Insertion Bit / Handle TBT10079 / TH3	Extraction Bit / Handle TBT10079 / TH3	Insertion Bit / Handle TBT10079 / TH3	Extraction Bit / Handle TBT10079 / TH3

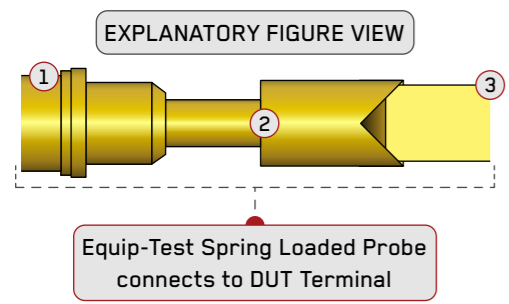
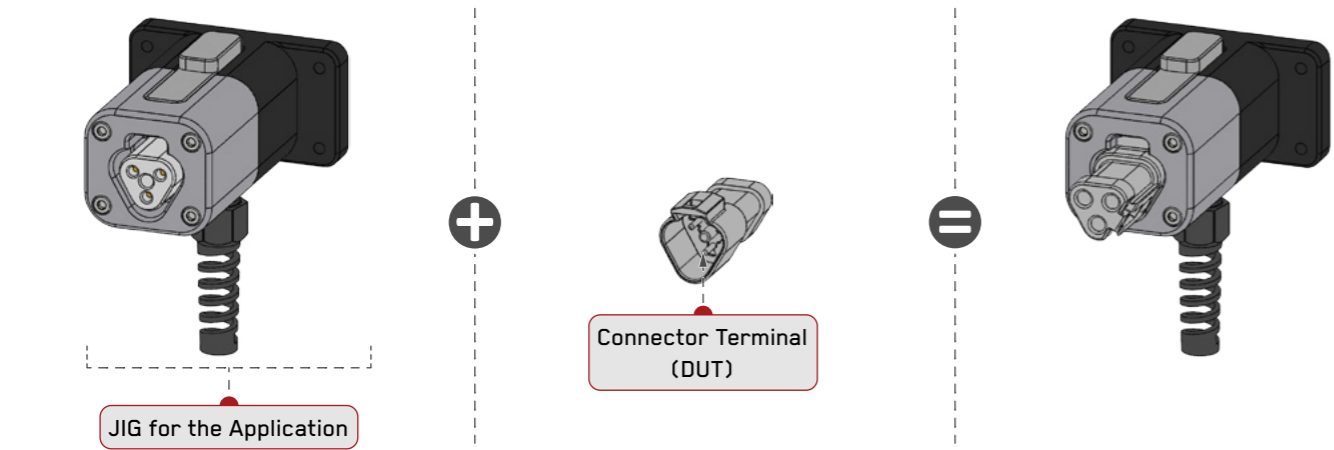
Streamlining TE Connectivity Connector Testing: TEC-1534399 - JIG

The TEC-1534399 - JIG is a hand operated Test Jig for TE Connectivity connectors, offering precision and ease of use. Equipped with two high-performance threaded probes – TT1005 RB09 MX and TT1005 RB04 MX – each rated for 5A current capacity. Additionally, an Equip-Test threaded switch probe SWT1005 IW93 M provides enhanced functionality for connection verification.

A built-in LED ring offers visual feedback, and a cable gland ensures neat, durable cable routing.



DUT Number	C-1534399	General Information
DUT Manufacturer	TE Connectivity	Jig Type: Hand Operated Test Jig Optional Configuration: Optional LED ring or DUMMY LED ring
Receptacle(s) + Test Probe(s)	RCT079 SR18 + TT1005 RB09 MX (5A) RCT079 SR18 + TT1005 RB04 MX (5A) RCT079 QE03 + SWT1005 IW93 M (3A)	
Cable Gland Size	M20 x 1.5	

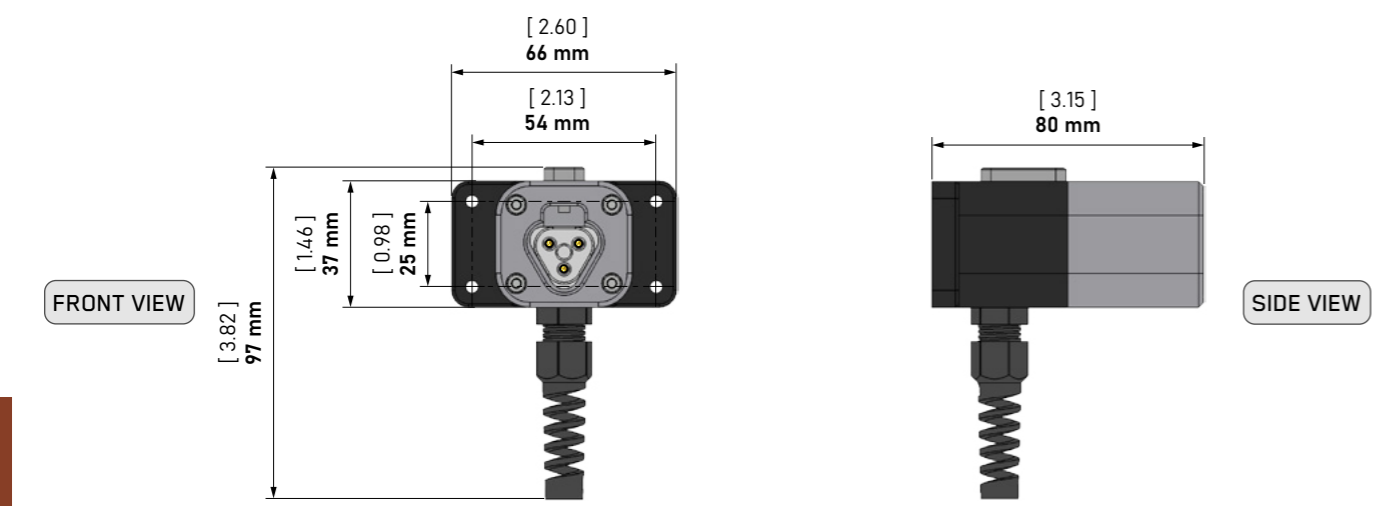


1	2	3
Receptacle (Socket)	Test Probe	Terminal Nr.
RCT079 SR08	TT1005 TA04 MX	DT04-3P

Tools for RCT079 SR08	
Insertion Bit / Handle TBR10036 / TH1	Extraction Bit / Handle TBR10071 / TH2
Tools for TT1005 TA04 MX	
Insertion Bit / Handle TBT10079 / TH3	Extraction Bit / Handle TBT10079 / TH3

Streamlining TE Connectivity Connector Testing: TEDT04-3P - JIG

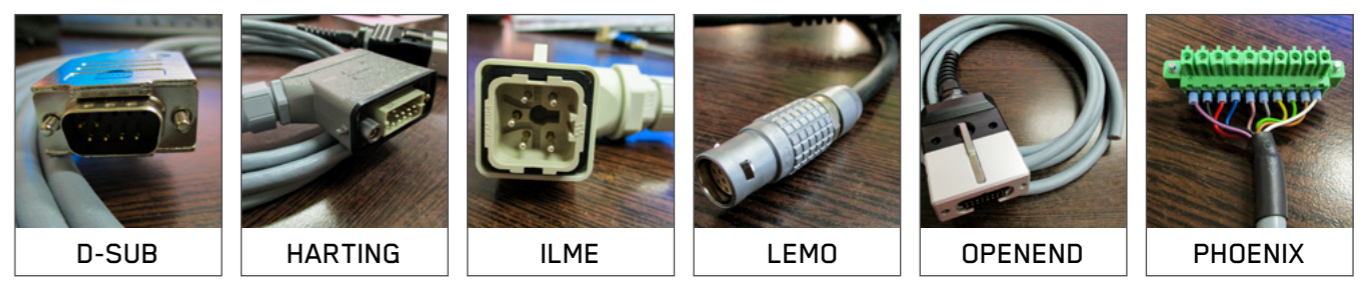
The TEDT04-3P - JIG is a robust mountable Test Jig engineered for TE Connectivity connectors, ensuring precise and dependable contact during testing. It features a high-quality Equip-Test threaded probe TT1005 TA04 MX, capable of hand operated lding up to 5A, providing reliable performance even in demanding applications. A side-mounted cable gland offers secure and organized cable management, enhancing durability and ease of integration into testing environments.



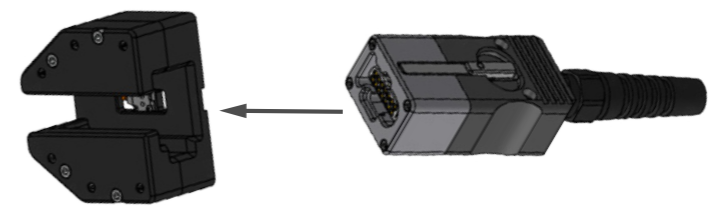
DUT Number	DT04-3P	General Information
DUT Manufacturer	TE Connectivity	Jig Type: Mountable Test Jig
Receptacle(s) + Test Probe(s)	RCT079 SR08 + TT1005 TA04 MX (5A)	
Cable Gland Size	M12	

REMARK

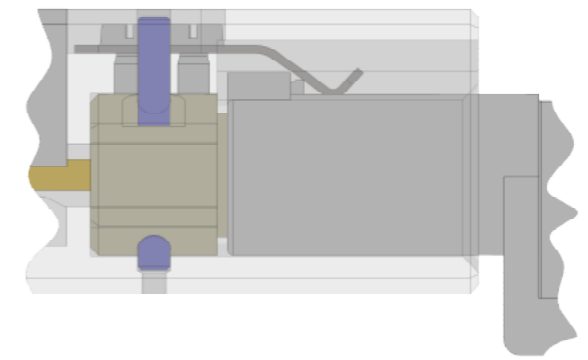
* Optional wiring with open end or connectors according to customers needs: D-SUB, HARTING, ILME, LEMO, OPENED, PHOENIX)



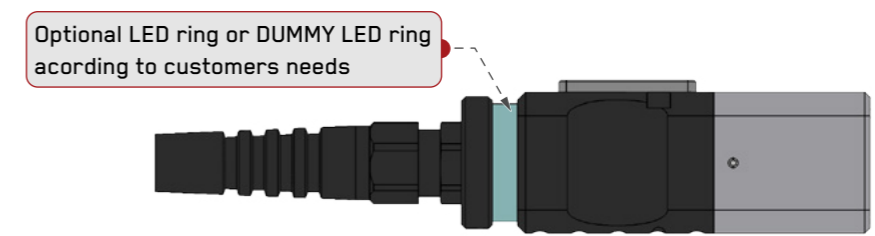
* Optional Jig holder with presence detection sensor



* Optional clamping modification (from clamping lever to leaf spring)



* Optional LED ring or DUMMY LED ring according to customers needs



* Optional size increase or decrease according to environment of customer

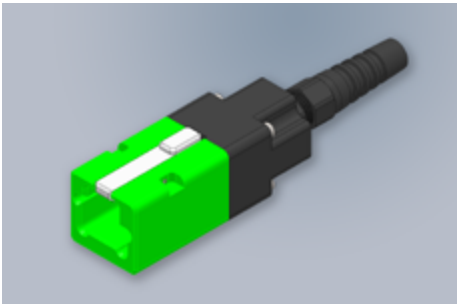
* Optional shape change (including from straight to L) according to customers needs

* Optional mountable Jig according to customer needs

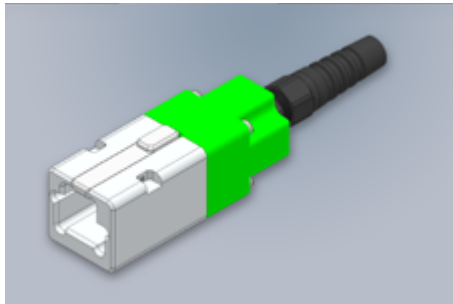
Options with * requires additional information from customer (cable type, connector type, wiring list) and additional work, they are not standard catalogue.

Customer Name:	
Contact Address:	
E-mail:	
Project Name:	

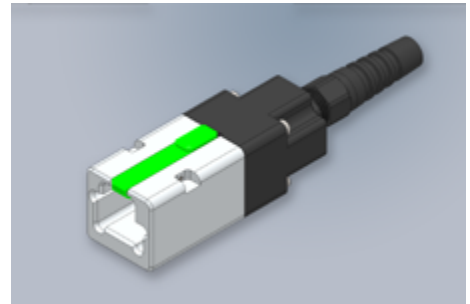
JIG PARTS EXPLANATION



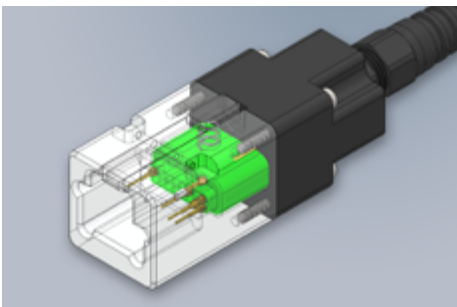
Probe Cap - Standard Material Aluminum



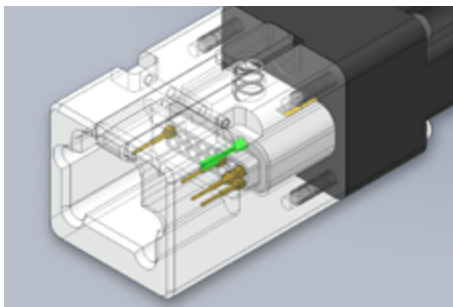
Housing - Standard Material Plastic (POM)



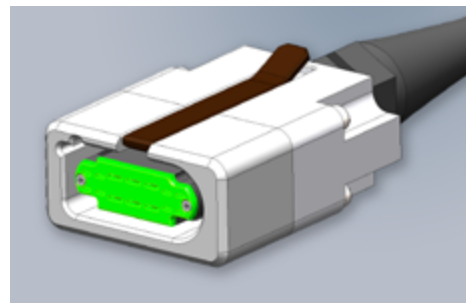
Blocking Lever - Standard Material Stainless Steel



Probe Plate - Material FR4, POM or PEEK



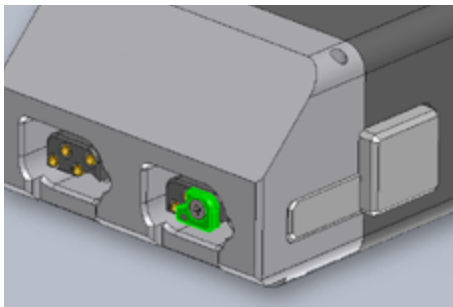
Switching Probe - Sensing or Part Detection



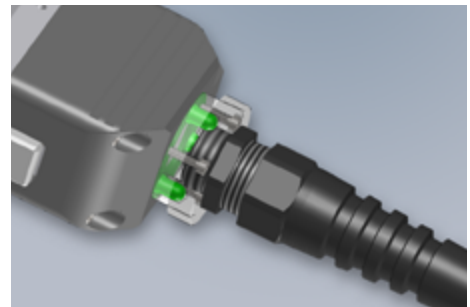
Pin Guiding Mask - Provides Accurate Connection



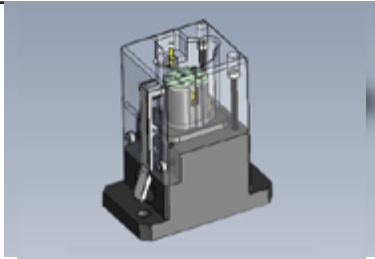
Identification Code - Engraved in Probe Cap or Housing

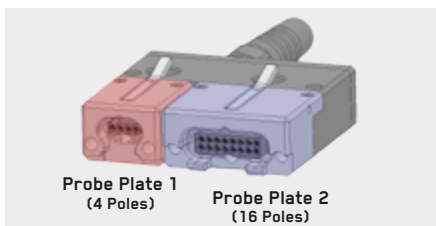


Custom Coding - Prevents Wrong Insertion

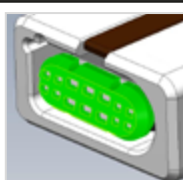


Custom LED Lights - Visual Information


JIG Type: Hand Operated or Mountable on Automated Machines	Hand Jig Straight Version	
	Hand Jig Straight / Short Version	
	Hand Jig L Version	
	Hand Jig Angled Version (30°, 45°, and 60°)	
	Mountable Jig Module (table-, cylinder-, etc.)	

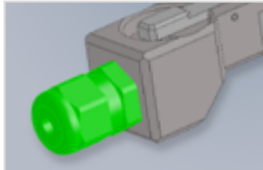
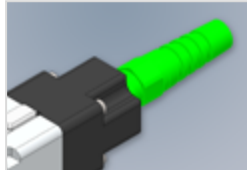
Number of Probe Plates (max 4.):	Sample Jig (2 Probe Plates)		pcs

Number of Poles (1):	Signal (max. 8 A)	pol
	High Current (A)	pol
Number of Poles (2):	Signal (max. 8 A)	pol
	High Current (A)	pol
Number of Poles (3):	Signal (max. 8 A)	pol
	High Current (A)	pol
Number of Poles (4):	Signal (max. 8 A)	pol
	High Current (A)	pol

Clamping Lever needed?	Yes No	
Pin Guiding Mask needed?	Yes No Material:	
	3D step file of the Connector available?	Yes No
	Design of the Special Surrounding (3D step model needed)	Yes No

Engraved Identification Code needed?	Yes No
Code Description:	
Magnetic Pull Needed?	Yes No

Wiring needed?	Yes	No	 Note: If "Yes" is selected Project Wiring List (MS Excel .xls preferred) for Inquiry is required! Please attach to e-mail. If "No" is selected please specify Cable Gland Type/Size or specify designed Cable Type/Diameter below.
Wiring List Available?	Yes No		
	Cable Length: m		
	Special Cable Type:		
	Cable End:		
Wiring Description:			

Cable Gland			Size: Cable:
	No Strain Relief	With Strain Relief	

Insert .pdf or jpeg format images only!

Switching Probe needed? Description:	Yes No	
--	----------------------	--

LED needed? Description:	Yes No
------------------------------------	----------------------

Test System needed?	
Additional data if available (quantity, special requests, etc.)	



MTTest Solutions

WHERE INNOVATION MEETS PRECISION

HEADQUARTERS

SERBIA

ADDRESS

**21220, BEČEJ
TOPOLSKI PUT 65**

PHONE

+381/66 - 306 - 420

E-MAIL

info@mttestsolutions.com