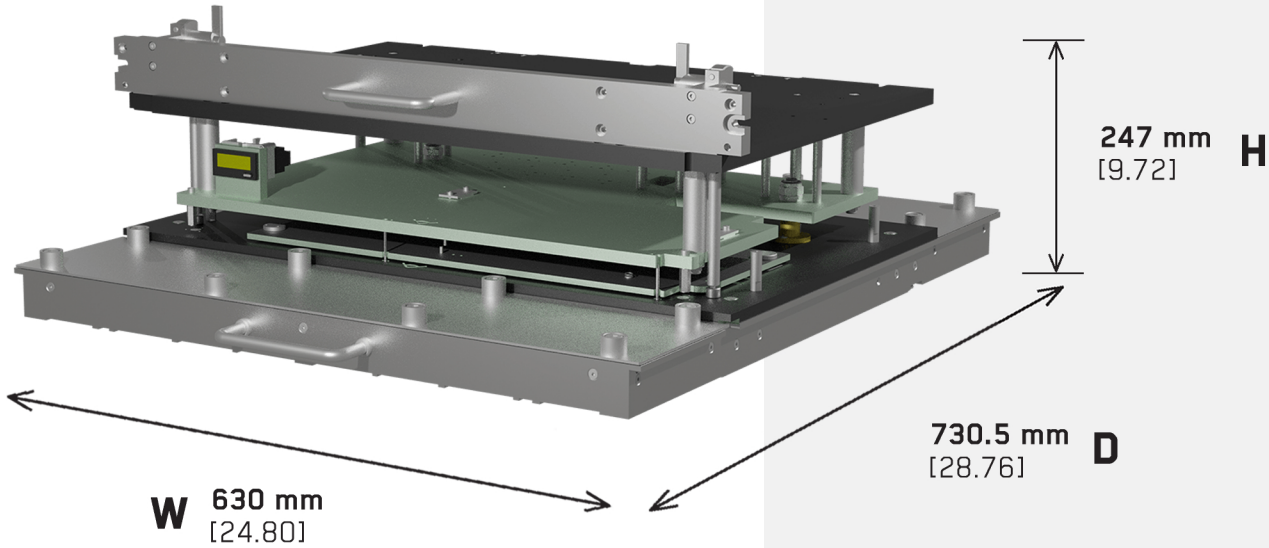


In - Line Fixture Kit

INLINE SPEA 3030 FOR IPTE HANDLER

Equip **ILFS-2A-SPEA3030-BOT44X72-D** In - Line Fixture



Technical Features:

- External Dimension (width x depth x height) with Handles:
630 mm x 730.5 mm x 247 mm
[24.80 in x 28.76 in x 9.72 in]
- DUT size to be clarified
- Top and Bottom test
- Installation height of test probes with receptacles:
bottom - 16 mm, top - 16 mm
- Maximum 6336 channels

