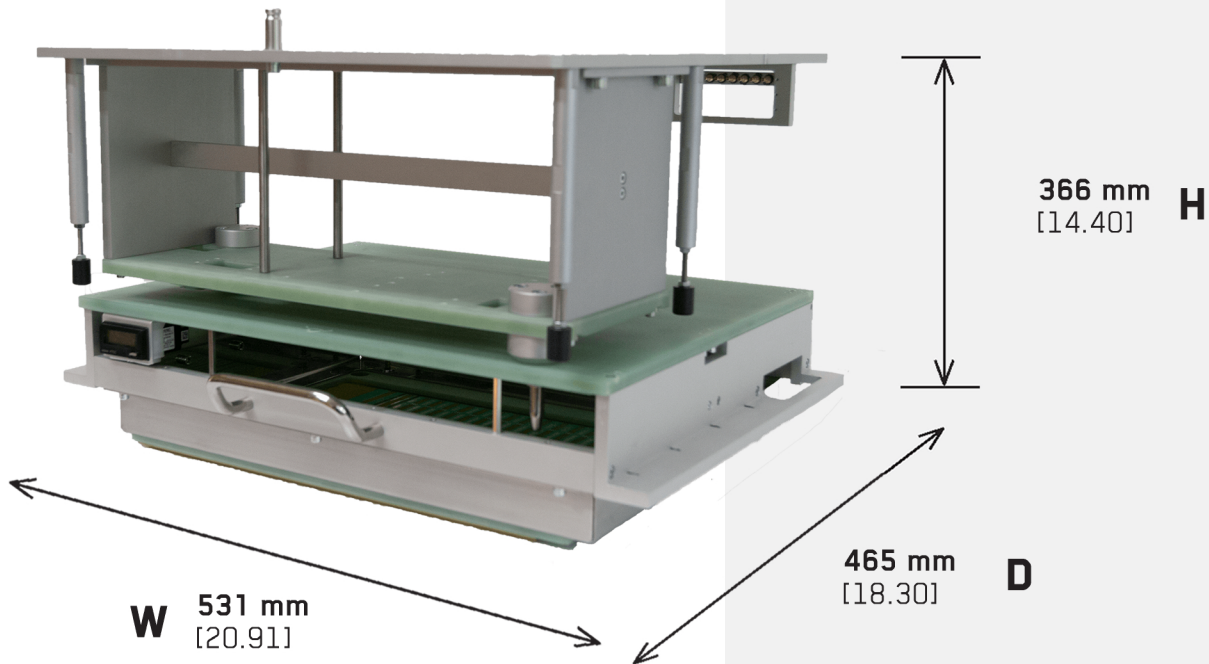


In - Line Fixture Kit

Equip **ILFS-TER18SL** Inline Fixture Kit

TERADYNE 18 SLOT



Technical Features:

- External Dimension (width x depth x height) with Handles:
531 mm x 465 mm x 366 mm
[20.91 in x 18.30 in x 14.40 in]
- Max DUT size: 420 mm x 254 mm [16.53 in x 10.00 in]
- Min DUT size: 50 mm x 40 mm [1.97 in x 1.57 in]
- Top and Bottom test
- Installation height test probe:
bottom-16 mm, top-16 mm
- Maximum 2984 channels

