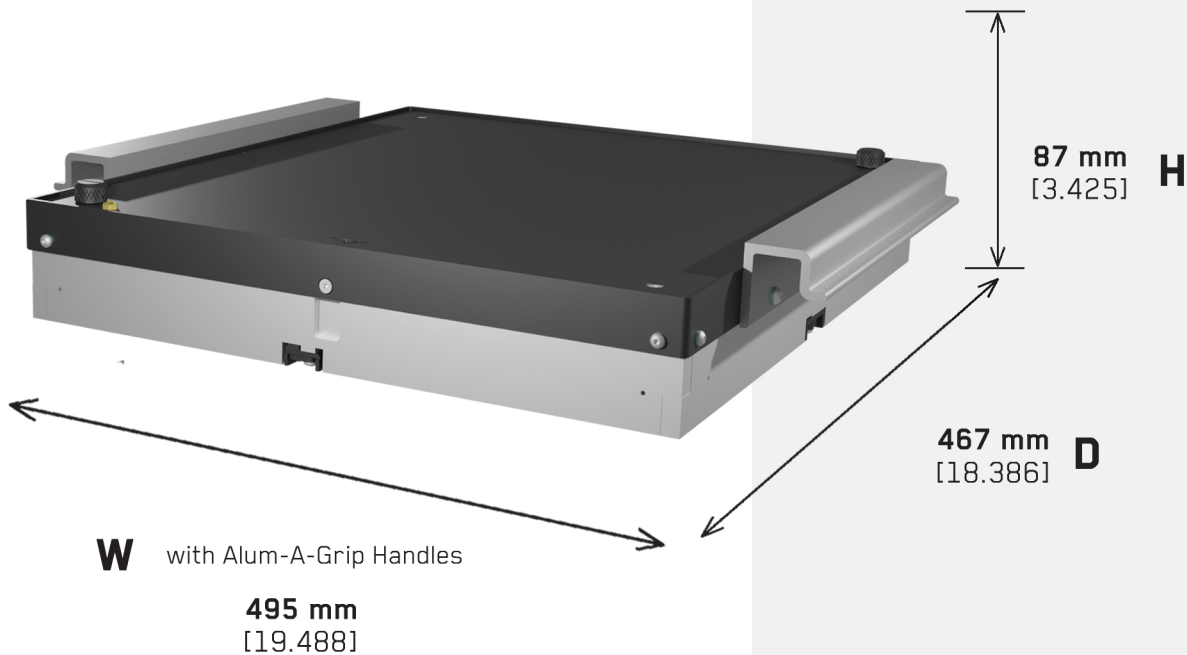


Vacuum Fixture Kit

KEYSIGHT - AGILENT

Equip **Keysight - Agilent - HP3070** Vacuum Fixture



Technical Features:

- External Dimension (width x depth x height) with Handles: 495mm x 467 mm x 87 mm [19.488 in x 18.386 in x 3.425 in]
- Usable Area (not DUT size): 320mm x 400mm [12.598 in x 15.748 in]
- The Fixture doesn't include a cover
- Usable Cover Types: Mechanical and Vacuum
- Installation height test probe bottom: 16mm
- Alum-A-Grip Handles for transport and lift

